

# rotork® Gears

## 300 Quarter-turn Stainless Steel Housing Gearboxes



### 300 Quarter-turn Gear Series

The Rotork Gears Series '300' quarter-turn gear operators are the first of their kind to use metal forming technology in their manufacture. This technology dramatically reduces manufacturing costs and allows the operator to be produced from stainless steel.

#### Application

Rotork Gears series '300' operators are quarter-turn devices intended for the operation of ball, plug and butterfly valves as well as power and process dampers. The unique sintered steel drive insert allows these gear operators to be fitted directly to most valve stems. The handwheels are available in a variety of sizes for smooth and easy operation.

The stainless steel operators are well suited for applications in highly corrosive environments as well as in breweries, pharmaceutical plants and sanitary facilities.

#### Features

- Stainless Steel housing
- Stainless Steel input shaft
- Three models up to 1000 Nm (8,860 lbf.in) output
- Rugged construction
- Sealed to IP65
- Light weight
- Replaceable stem drives (307-310)
- Patented, pressed-metal technology
- Optional Flexible Extensions
- Torque Range: 250 to 1000 Nm (2,200 to 8,860 lbf.in.)
- Temperature: -20 to +120 °C (-4 to +250 °F)

#### Performance specification

- Stroke: 0 - 90° (± 5° adjustable)
- Enclosure: Weatherproof to IP65
- No. of Models: 3

#### Materials

- Housing: 304 Stainless Steel
- Input shaft: 304 Stainless Steel
- Gear segment: Aluminium Bronze
- Stroke Adjusters: 304 Stainless Steel
- Indicator: 304 Stainless Steel
- Coating: None-100% 304 Stainless Steel (polished)

Redefining Flow Control

Dystrybutor:

# ARA

PNEUMATIK

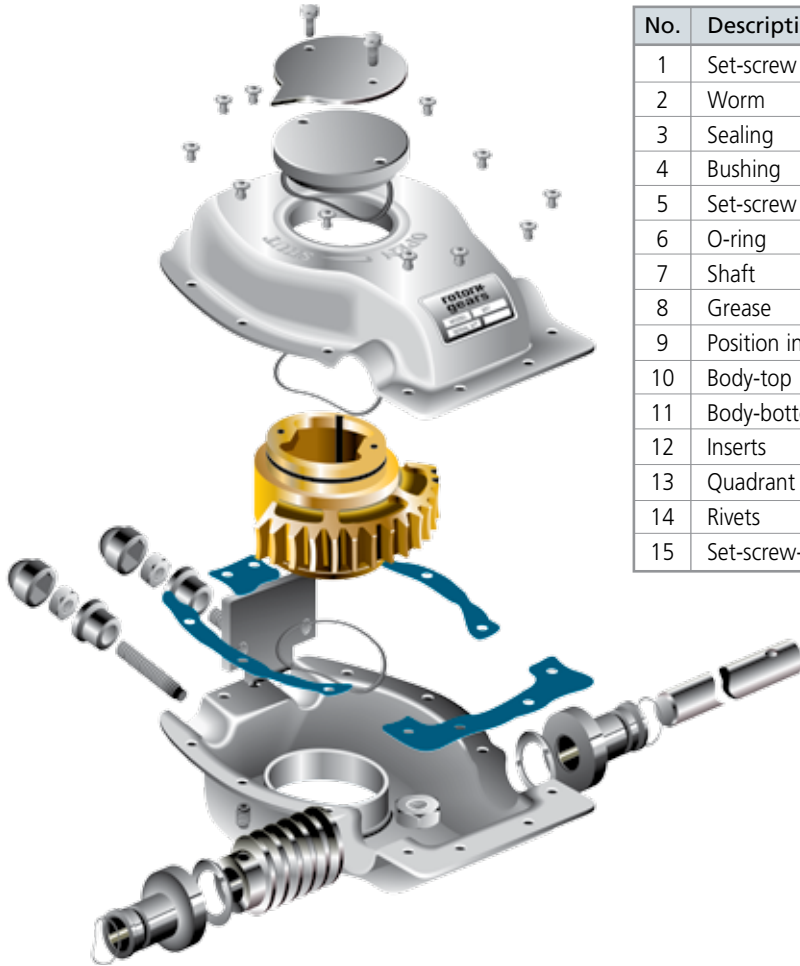
53-012 Wrocław tel. 71 364 72 85  
ul. Wyciągowa 38 fax 71 364 72 83

www.arapneumatik.pl



# rotork®

## Gears



### Material Specification

No.	Description	Material	Notes
1	Set-screw	Stainless Steel	A2 / DIN 916
2	Worm	Carbon Steel	C45 / AISI 1045
3	Sealing	Polyurethan	PURAFLEX 2001
4	Bushing	Nylon	-
5	Set-screw	Carbon Steel	St. 45 H
6	O-ring	Nitrile	-
7	Shaft	Stainless Steel	AISI 303
8	Grease	Lithium-Calcium	Multipurpose EP-2
9	Position indicator	Stainless Steel	AISI 304
10	Body-top	Stainless Steel	AISI 304
11	Body-bottom	Stainless Steel	AISI 304
12	Inserts	Sintered Steel	-
13	Quadrant	Alu-Bronze	-
14	Rivets	Stainless Steel	-
15	Set-screw-plate	Steel	Steel 37.2

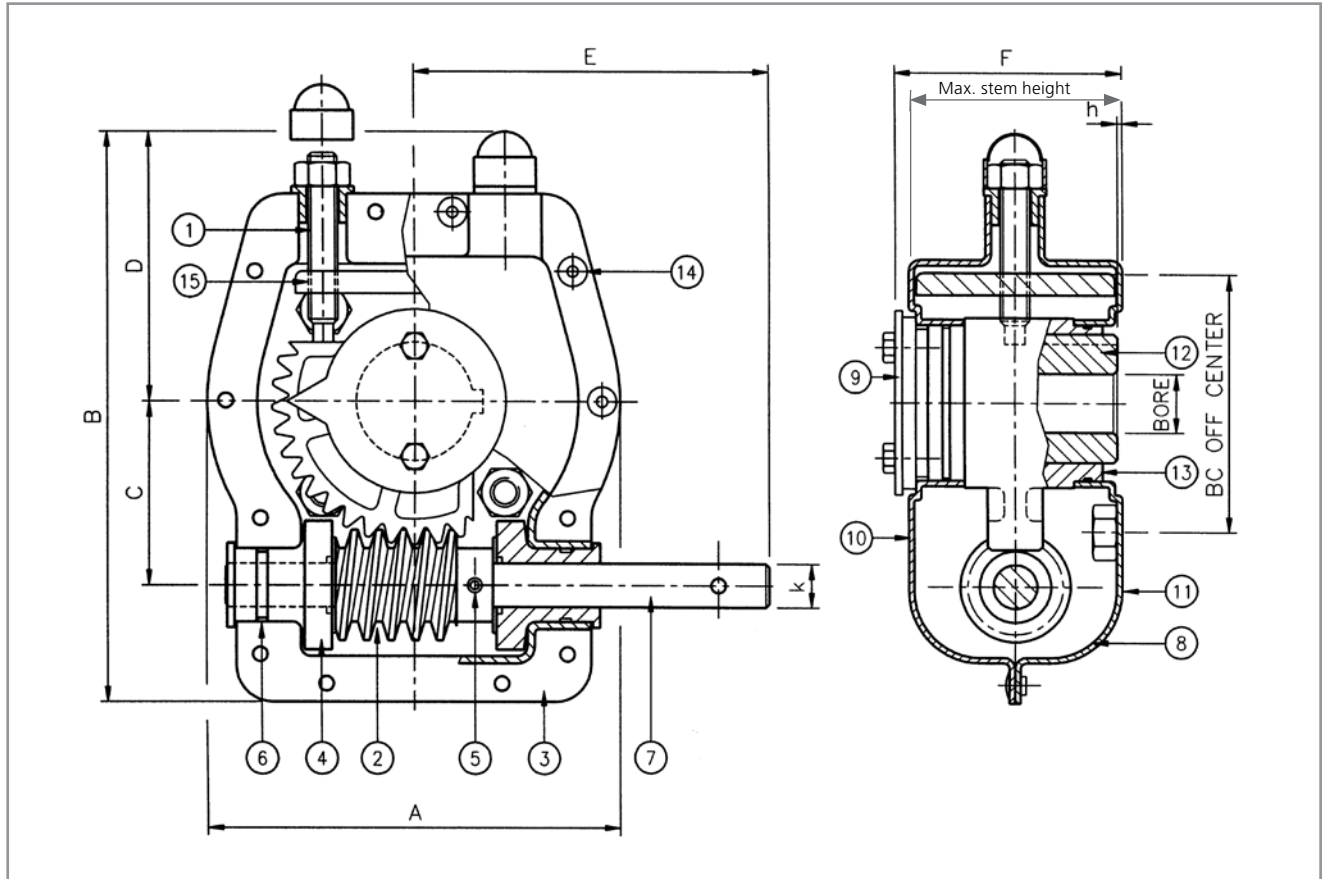
Type	A	B	C	D	E	F	øG	H	K	Bore Max.	Valve Connection ISO øBC 4x
307	113 (4.45)	155 (6.10)	50 (1.97)	71 (2.80)	119 (4.69)	68 (2.67)	32.15 (1.27)	1.3 (0.05)	12 (0.47)	20 (0.79)	F07 70 M8
310	151 (6.10)	185 (7.28)	60 (2.36)	90 (3.54)	180 (7.09)	84 (3.31)	45.3 (1.78)	1.8 (0.07)	15 (0.59)	30 (1.18)	F10 102 M10
312	188 (7.40)	236 (9.29)	80 (3.15)	102 (4.02)	167 (6.57)	87 (3.43)	-	5.5 (0.22)	20 (0.79)	55 (1.57)	F12 125 M12

All dimensions in millimetres. Contents subject to change without notice.

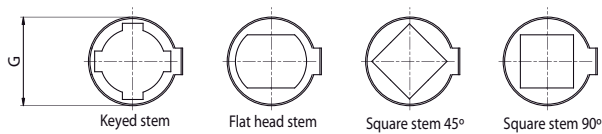
## Redefining Flow Control

# 300 Quarter-turn Stainless Steel Housing Gearboxes

## Gearbox 300 Series



### Inserts Valve Stem Variations



Type	Ratio	Torque Nm (lbf. inch)		M.A. ± 15%	Max. Stem Height mm (inch)	Weight Kg (lb)
		Output	Input			
307	37:1	250 (2200)	21 (184)	11.9	52 (2.05)	1.3 (2.9)
310	45:1	500 (4400)	39 (338)	12.8	73 (2.87)	2.8 (6.2)
312	40:1	1000 (8860)	100 (886)	12.5	78 (3.07)	7.0(15.4)

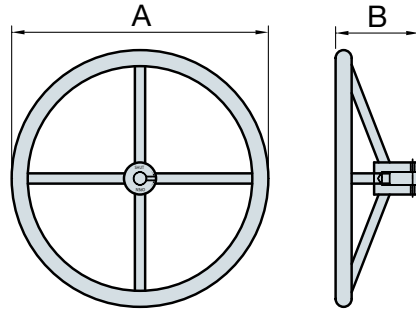
The static safety factor is 1.5.  
The published M.A. is achieved after a few cycles.



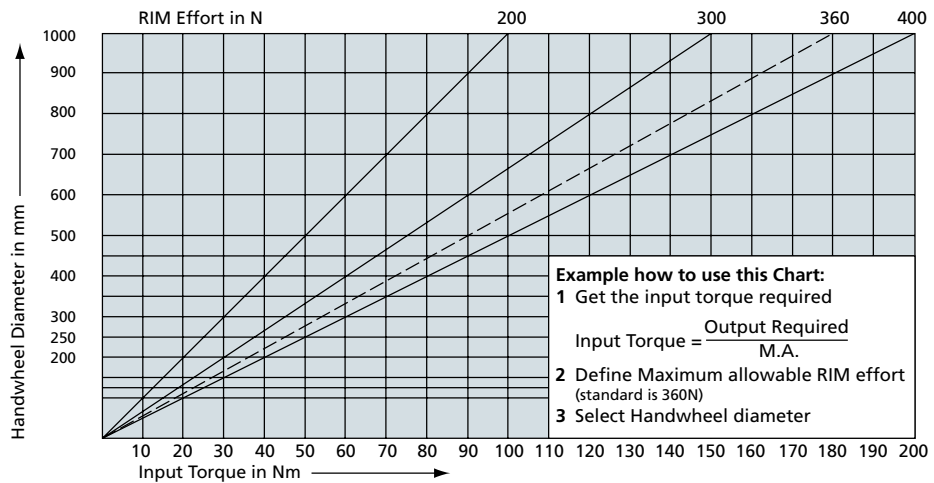
### Handwheel Selection Chart

#### Input Torque

Type	M.A. ± 15%
307	11.9
310	12.8
312	12.5



300 Series 'S' type handwheel



#### Dimensions

Type	A	B
S150	Ø150	60
S200	Ø200	80
S350	Ø350	120

Rotork Gears BV  
Nijverheidstraat 25  
7581 PV Losser  
P.O. Box 98  
7580 AB Losser  
The Netherlands

tel: +31 (0)53-5388677  
fax: +31 (0)53-5383939  
email: info@rotorkgears.nl

Rotork Gears UK  
9 Brown Lane West  
Holbeck  
Leeds  
West Yorkshire LS12 6BH  
England

tel: +44 (0)113 2567922  
email: sales@rotorkgears.com

Rotork Gears Americas  
1811 Brittmoore  
Houston  
Texas 77043  
USA

tel: +1 713 983 7381  
fax: +1 713 856 8022  
email: gears@rotorkgears.com

Rotork Gears S.R.L.  
via Olona, 65/67  
20015 Parabiago (MI)  
Italy

tel: +39 0331 552128  
fax: +39 0331 553147  
email: info@rotorkgears.it

Rotork Gears Shanghai  
No. 260 Lian Cao Road  
Xin Mei Urban Industrial Park  
Min Hang District  
Shang Hai 201108  
China

tel: 0086-21-33236200  
fax: 0086-21-64348388  
email: info@rotorkgears.com.cn

A full listing of our worldwide sales and service network is available on our website at

[www.rotork.com](http://www.rotork.com)

Rotork Gears India  
165/166, Bommasandra,  
Jigani Link Road,  
Kiadb Industrial Area,  
Anekal Thaluk, Jigani Hobli,  
Bangalore 562106

tel: +91 80 3098 1600  
fax: +91 80 3098 1610  
email: sales@rotork.co.in

Rotork Valvekits  
Brookside Way  
Nunn Park  
Huthwaite  
Nottinghamshire NG17 2NL  
England

tel: +44 (0)1623 440211  
fax: +44 (0)1623 440214  
email: sales@rotorkvalvekits.com

Rotork Valvekits Americas  
Renfro Associates Inc  
501 South 12th Street  
Broken Arrow, OK  
74012  
USA

tel: +1 (918) 259-8100  
fax: +1 (918) 259-9167  
email: info@renfroassociates.com