

LF 3000® Push-In Fittings / Self-Sealing and Oscillating Fittings



2 functions available for quick machine intervention and to facilitate the operation of the installations.

Ø metric:
4 to 12 mm

Technical Characteristics

- **Compatible Fluids:** Compressed air
Other fluids: please consult us
- **Working Pressure:** Vacuum to 20 bar
(10 bar: self-sealing fitting)
- **Working Temperature:** -20°C to +80°C

Reliable performance is dependent upon the type of fluid conveyed, component materials and tubing being used.

Use is guaranteed with a vacuum of 755 mm Hg (99% vacuum).

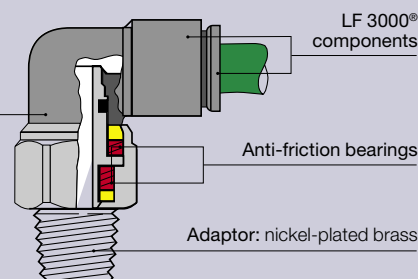
Advantages

- **Self-Sealing Fittings**
 - Prevents fluid flow when there is no tube connected
 - When connected, the compressed air flow is restored
- **Oscillating Fittings**
 - Fitting swivels when cylinder is in movement : no bending of the tube
 - High durability of the fitting/tube assembly

Component Materials

Swivel Fitting

- Body:
- Self-sealing fitting: nickel-plated brass
 - Oscillating fitting: technical polymer



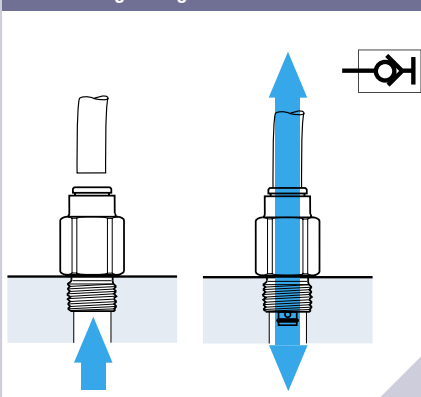
Silicone-free

Regulations

- ISO 14743
- PED
- RoHS
- REACH

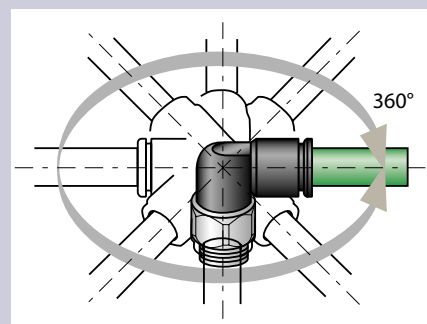
Installation Configurations

Self-Sealing Fitting



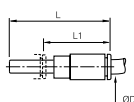
Oscillating Fitting

Tube O.D. (mm)	Torque (daN.m)	Max. Rotation Speed (turn/min.)
4	<math> < 2.5 \cdot 10^{-3}</math>	190
6	<math> < 4 \cdot 10^{-3}</math>	160
8	<math> < 7 \cdot 10^{-3}</math>	120
10	<math> < 11 \cdot 10^{-3}</math>	90
12	<math> < 16 \cdot 10^{-3}</math>	80



3160 Self-Sealing Plug-In Fitting

Technical polymer, NBR



ØD		L	L1	Kg
4	3160 04 00	46	33.5	0.006
6	3160 06 00	53.5	31	0.009
8	3160 08 00	58	31	0.014

DYSTRYBUTOR PARKER PREMIUM

ARA[®]
PNEUMATIK

| arapneumatik.pl

PARKER STORE WROCŁAW
pneumatyka@arapneumatik.pl
TEL. 71 364 72 80

PARKER STORE KATOWICE
katowice@arapneumatik.pl
TEL. 32 779 76 40

Parker Store