

LF 3000® Push-In Fittings / Self-Sealing and Oscillating Fittings



2 functions available for quick machine intervention and to facilitate the operation of the installations.

Technical Characteristics

- **Compatible Fluids:** Compressed air
Other fluids: please consult us
- **Working Pressure:** Vacuum to 20 bar
(10 bar: self-sealing fitting)
- **Working Temperature:** -20°C to +80°C

Reliable performance is dependent upon the type of fluid conveyed, component materials and tubing being used.

Use is guaranteed with a vacuum of 755 mm Hg (99% vacuum).

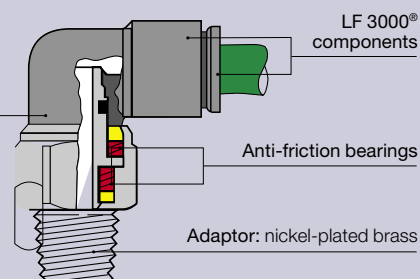
Advantages

- **Self-Sealing Fittings**
- Prevents fluid flow when there is no tube connected
- When connected, the compressed air flow is restored
- **Oscillating Fittings**
- Fitting swivels when cylinder is in movement : no bending of the tube
- High durability of the fitting/tube assembly

Component Materials

Swivel Fitting

- Body: nickel-plated brass
- Self-sealing fitting: technical polymer
- Oscillating fitting: technical polymer



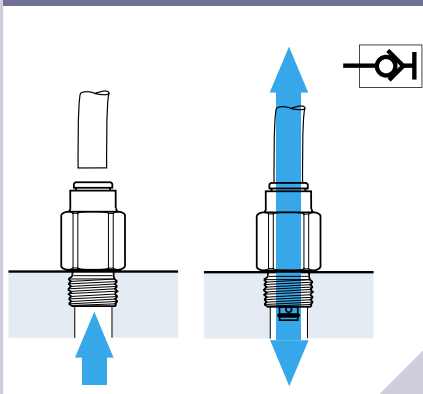
Silicone-free

Regulations

- ISO 14743
- PED
- RoHS
- REACH

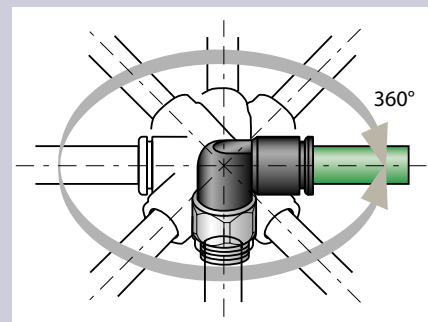
Installation Configurations

Self-Sealing Fitting



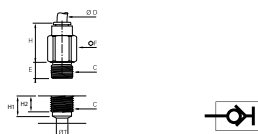
Oscillating Fitting

Tube O.D. (mm)	Torque (daN.m)	Max. Rotation Speed (turn/min.)
4	$2.5 \cdot 10^{-3}$	190
6	$4 \cdot 10^{-3}$	160
8	$7 \cdot 10^{-3}$	120
10	$11 \cdot 10^{-3}$	90
12	$16 \cdot 10^{-3}$	80



3391 Self-Sealing Stud Fitting, Male BSPP Thread

Nickel-plated brass, NBR



ØD	C		E	F	H	H1	H2	ØT	Kg
4	G1/8	3391 04 10	5	13	18	7.5	6	5	0.017
6	G1/8	3391 06 10	5	14	19.5	9	6	7.5	0.018
8	G1/8	3391 08 10	5	14	29.5	10	6	7.5	0.025
	G1/4	3391 08 13	5.5	16	25.5	11	8	9	0.032
10	G3/8	3391 10 17	5.5	20	27.5	13	11	10	0.055

Maximum working pressure: 10 bar

DYSTRYBUTOR PARKER PREMIUM

ARA
PNEUMATIK

| arapneumatik.pl

PARKER STORE WROCLAW
pneumatyka@arapneumatik.pl
TEL. 71 364 72 80

PARKER STORE KATOWICE
katowice@arapneumatik.pl
TEL. 32 779 76 40

Parker Store