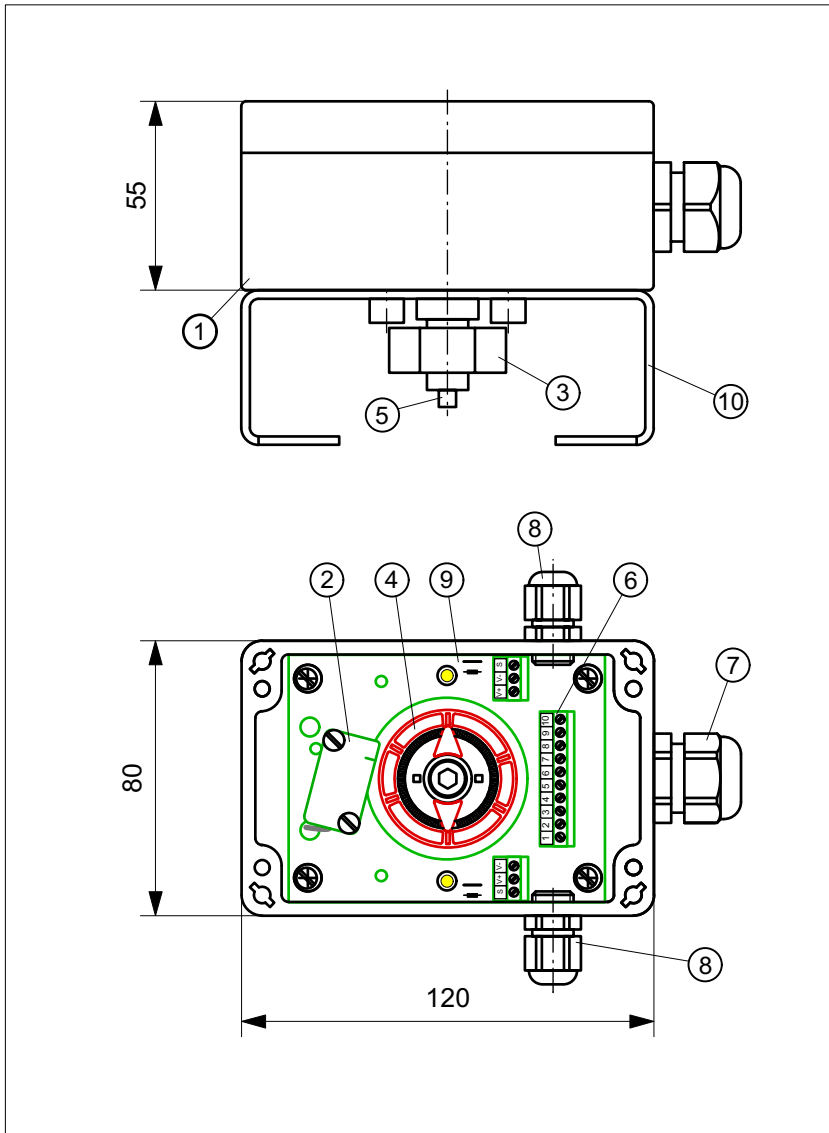




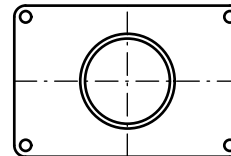
# ET-Module PF2V3EVFAZ2

ET-Module with two proximity switches Pepperl+Fuchs NBB2-V3-E2 on circuit board in Vestamid-Housing 120x80x55 mm, with vision panel, with 2x solenoid connection cable gland M12x1,5



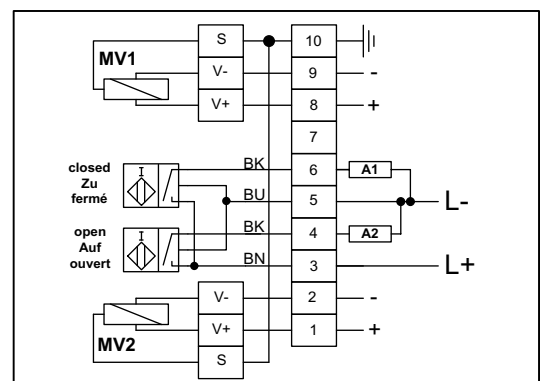
## TECHNICAL DATA

Manufacturer: Pepperl+Fuchs  
 Type: NBB2-V3-E2 inductive, NO PNP  
 Operating distance: 2 mm  
 Operating voltage: 10 ... 30 V DC  
 Operating current: 0 ... 100 mA  
 No-load current: <= 15 mA  
 Output: short-circuit protection  
 inverse-polarity protect.  
 Temperature: -25 ... +70°C  
 Switch. frequency: 0 ... 1000 Hz  
 Housing: Vestamid, black with vision panel  
 Sealing: EPDM  
 Ingress protection: IP67 (Sensor)  
 IP65 (Housing)  
 Switching precision: <1.5°  
 System connection: Cable gland M20x1,5  
 Clamp. range 8...13 mm  
 Solenoid connect.: 2x Cable gland M12x1,5  
 Clamp. range 4...7 mm



Housing cover with vision panel ø45

## WIRING DIAGRAM



## OBJECT LIST

Pos.	Pcs.	Description	Material
1	1	Housing	Vestamid
2	2	P+F NBB2-V3-E2	-
3	1	Position indicator	PE
4	1	Switch-cam-system	POM + AI
5	1	Axis	A2
6	1	Terminal block, 10-pole	-
7	1	Cable gland M20x1,5	PA
8	2	Cable gland M12x1,5	PA
9	1	Circuit board	-
10	1	Bracket size 1 - 4	A2

Więcej informacji - skontaktuj się z nami:

# ARA<sup>®</sup>

PNEUMATIK



ul. Wyścigowa 38 53-012 Wrocław  
tel. +48 71 364 72 85, 691 112 333  
armatura@arapneumatik.pl

arapneumatik.pl