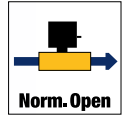
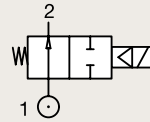


2/2

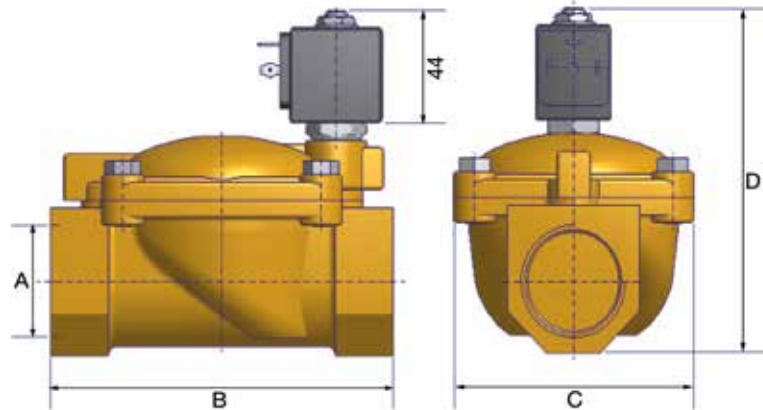
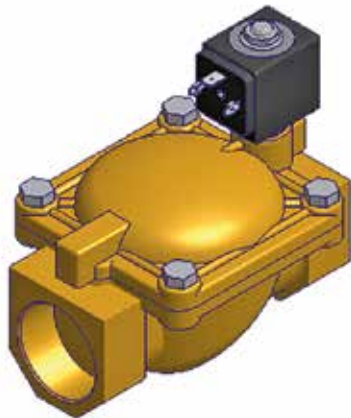
VALVES FOR WATER PILOT OPERATED



BRASS PIPE MOUNTING NORMALLY OPEN



Port size BSP	Orifice Ø mm	Flow factors			Seat Seal	Atex Zone	Operating Pressure Differential		Fluid Temp.		Power W	Voltage	Solenoid Valve Order Number
		Kv l/min	KV m³/h	Qn l/min			Min bar	Max bar	Min °C	Max °C			
1 1/2"	40	500	30.00	NBR	-	-	0.1	10	-10	90	8	220-230V/50Hz	550053DIS
							0.1	10	-10	90	9	24 Vdc	550052DIS
						2-22	0.1	10	-10	50	8	220-230V/50Hz	550188DIS
							0.1	10	-10	50	9	24 Vdc	550187DIS
						1-21	0.1	10	-10	80	8	230V/50Hz	550148DIS
							0.1	10	-10	80	8	24 Vdc	550147DIS
2"	50	620	37.20	NBR	-	-	0.1	10	-10	90	8	220-230V/50Hz	550055DIS
							0.1	10	-10	90	9	24 Vdc	550054DIS
						2-22	0.1	10	-10	50	8	220-230V/50Hz	550190DIS
							0.1	10	-10	50	9	24 Vdc	550189DIS
						1-21	0.1	10	-10	80	8	230V/50Hz	550150DIS
							0.1	10	-10	80	8	24 Vdc	550149DIS



A	B	C	D
G	mm	mm	mm
1 1/2"	145	102	134
2"	173	118	148

Fast Delivery

ARA[®]

PNEUMATIK

53-012 Wrocław tel. 71 364 72 82
ul. Wyścigowa 38 fax 71 364 72 83

www.arapneumatik.pl



2 WAY VALVES

Water