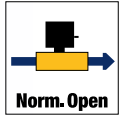
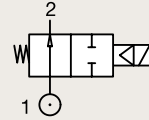


2/2

VALVES FOR WATER PILOT OPERATED

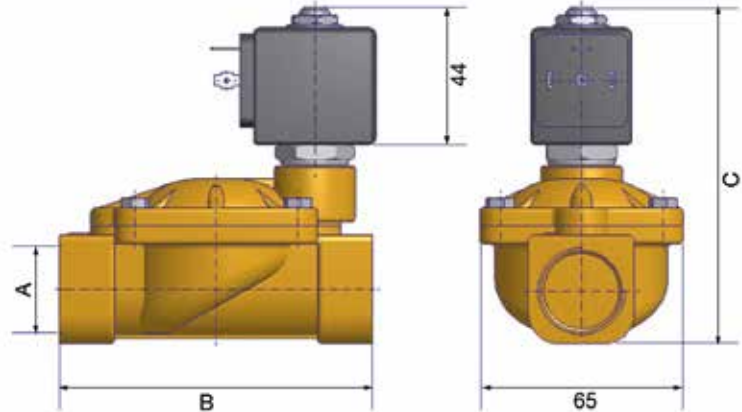
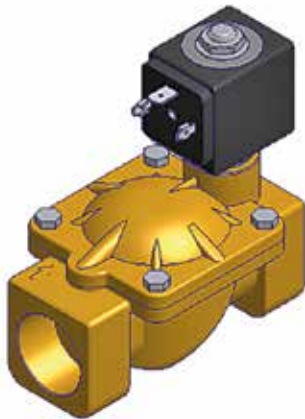


BRASS PIPE MOUNTING NORMALLY OPEN



Port size	Orifice Ø	Flow factors			Seat Seal	Atex Zone	Operating Pressure Differential		Fluid Temp.		Power	Voltage	Solenoid Valve Order Number							
		Kv l/min	KV m³/h	Qn l/min			Min bar	Max bar	Min °C	Max °C				W						
3/4"	20	140	8.40	-	NBR	-	0.1	20	-10	90	8	220-230V/50Hz	550049DIS							
							0.1	20	-10	90	9	24 Vdc	550048DIS							
							2-22	0.1	20	-10	50	8	220-230V/50Hz	550184DIS						
								0.1	20	-10	50	9	24 Vdc	550183DIS						
							1-21	0.1	20	-10	80	8	230V/50Hz	550144DIS						
								0.1	20	-10	80	8	24 Vdc	550143DIS						
							1"	25	160	9.60	-	NBR	-	0.1	20	-10	90	8	220-230V/50Hz	550051DIS
														0.1	20	-10	90	9	24 Vdc	550050DIS
2-22	0.1	20	-10	50	8	220-230V/50Hz								550186DIS						
	0.1	20	-10	50	9	24 Vdc								550185DIS						
1-21	0.1	20	-10	80	8	230V/50Hz								550146DIS						
	0.1	20	-10	80	8	24 Vdc								550145DIS						

Fast Delivery



A	B	C
G	mm	mm
3/4"	100	107
1"	104	112.5

ARA®

PNEUMATIK

53-012 Wrocław tel. 71 364 72 82
ul. Wyścigowa 38 fax 71 364 72 83

www.arapneumatik.pl

