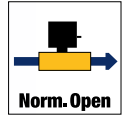
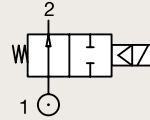


2/2

VALVES FOR WATER PILOT OPERATED

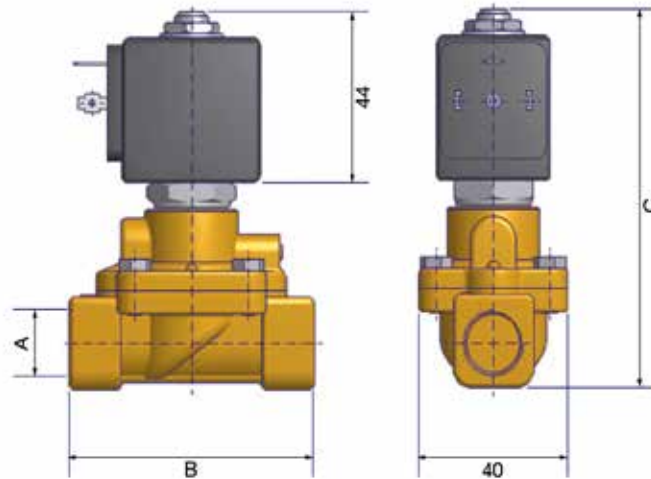
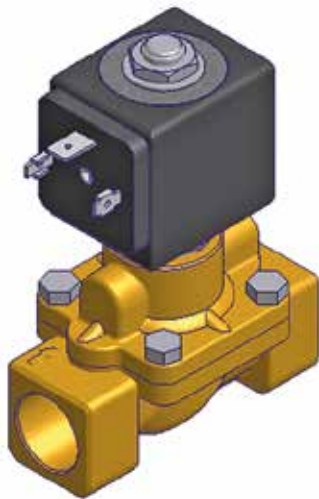


BRASS PIPE MOUNTING NORMALLY OPEN



Port size BSP	Orifice Ø mm	Flow factors			Seat Seal	Atex Zone	Operating Pressure Differential		Fluid Temp.		Power W	Voltage	Solenoid Valve Order Number
		Kv l/min	KV m³/h	Qn l/min			Min bar	Max bar	Min °C	Max °C			
3/8"	13	50	3.00	-	NBR	-	0.1	20	-10	90	8	220-230V/50Hz	550057DIS
							0.1	20	-10	90	9	24 Vdc	550056DIS
						2-22	0.1	20	-10	50	8	220-230V/50Hz	550192DIS
							0.1	20	-10	50	9	24 Vdc	550191DIS
						1-21	0.1	20	-10	80	8	230V/50Hz	550152DIS
							0.1	20	-10	80	8	24 Vdc	550151DIS
1/2"	13	50	3.00	-	NBR	-	0.1	20	-10	90	8	220-230V/50Hz	550047DIS
							0.1	20	-10	90	9	24 Vdc	550046DIS
						2-22	0.1	20	-10	50	8	220-230V/50Hz	550182DIS
							0.1	20	-10	50	9	24 Vdc	550181DIS
						1-21	0.1	20	-10	80	8	230V/50Hz	550142DIS
							0.1	20	-10	80	8	24 Vdc	550141DIS

Fast Delivery



A	B	C
G	mm	mm
3/8"	69	99.5
1/2"	72	101.5

ARA®

PNEUMATIK

53-012 Wrocław tel. 71 364 72 82
ul. Wyścigowa 38 fax 71 364 72 83
www.arapneumatik.pl

