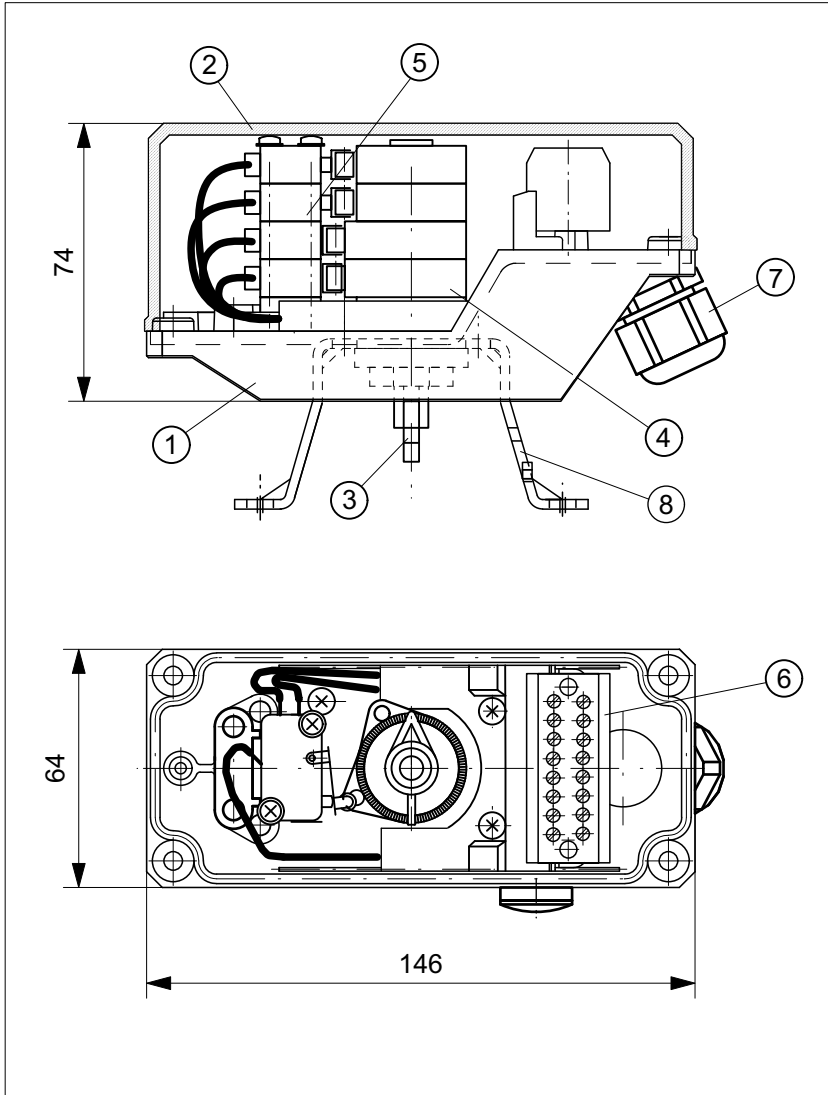




TCR3MVAZZ

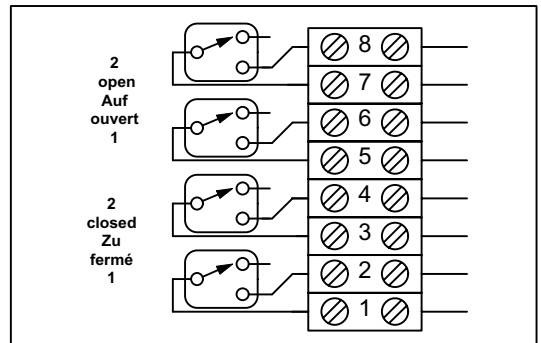
TCR-Module with four micro switches Crouzet type 83.161.301, feedback signal 2x open and 2x closed, in TCR-Housing 146 x 64 x 74 mm



TECHNICAL DATA

Manufacturer: Crouzet
 Type: 83.161.301
 Micro switch
 Operating power: 4 A, 250 V AC
 Contacts: Silver-Nickel
 Mech. life-time: 2×10^7 operating cycles
 Temperature: $-25 \dots +85^\circ\text{C}$
 Housing base: Vestamid, black
 Housing cover: Macrolon, clear
 Sealing: EPDM
 Ingress protection: IP68
 Switch. precision: $1,5^\circ$
 System connection: Cable gland M20x1,5
 Clamp. range 8...13 mm

WIRING DIAGRAM



OBJECT LIST

Pos.	Pcs.	Description	Material
1	1	Housing base	Vestamid
2	1	Housing cover	Macrolon
3	1	TCR-Axis	POM
4	1	Switch cam system	POM
5	4	Micro switch	-
6	1	Terminal block, 8-pole	-
7	1	Cable gland M20x1,5	PA
8	1	Bracket size 1 - 4	A2

Więcej informacji - skontaktuj się z nami:

ARA[®]
PNEUMATIK



ul. Wyścigowa 38 53-012 Wrocław
 tel. +48 71 364 72 85, 691 112 333
 armatura@arapneumatik.pl

arapneumatik.pl