



AIR TORQUE

AIR TORQUE S.p.A.

via dei Livelli di Sopra, n°8/11
24060 Costa di Mezzate (Bg) Italy
Tel.: +39 035 682 299
Fax.: +39 035 687 791
E-mail: info@airtorque.it

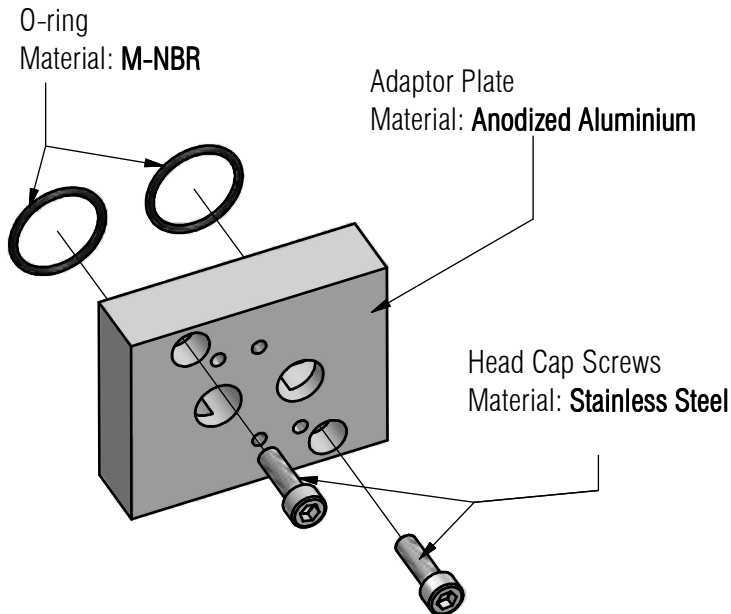


T.D.S. n° USUBE

Issued on: 06/12 - Page 1/1

AIR CONNECTION REDUCER PLATE FOR AIR TORQUE ACTUATORS MODELS AT651U/PT650B => AT1001U/PT1000B (1/2" => 1/4")

COMPONENTS and MATERIALS



PRZEDSTAWICIEL W POLSCE:

ARA
PNEUMATIK

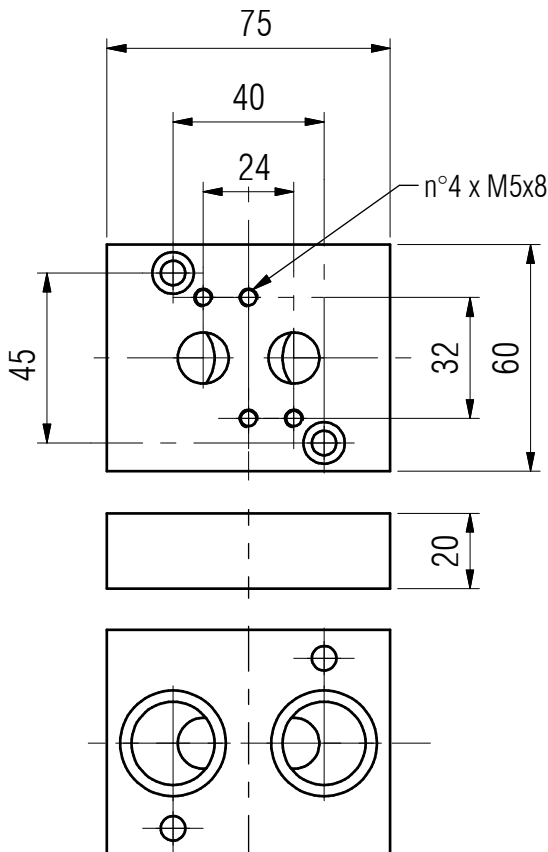
53-012 Wrocław tel. 71 364 72 85
ul. Wyciągowa 38 fax 71 364 72 83

www.arapneumatik.pl

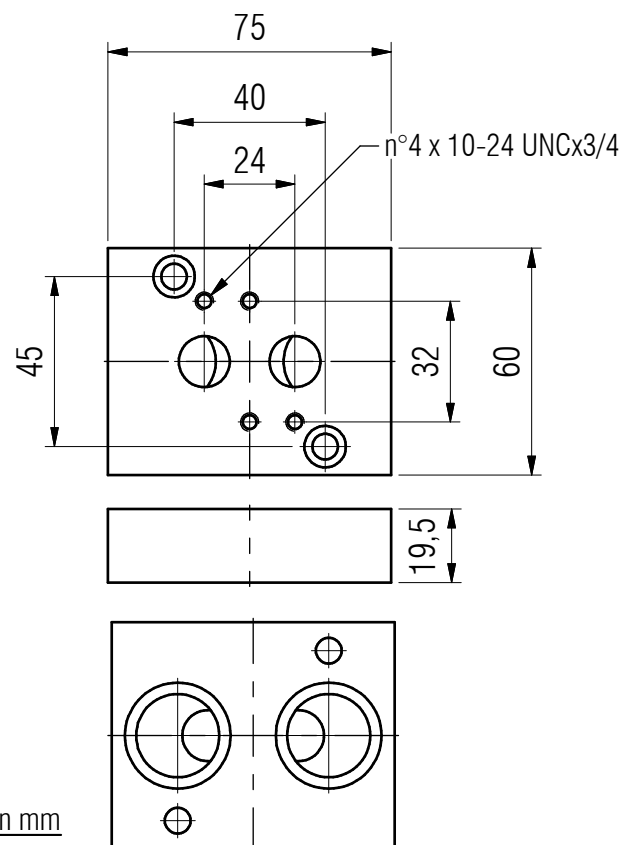


KIT NUMBER	KIT-SUB-P-E	KIT-SUB-P-US
KIT PARTS (Q.TY)	DESCRIPTION	
Adaptor Plate (1)	SUB-P-E	SUB-P-US
Screw (2)	TCCE-M6x22	TCCE-1/4-20UNC3/4
O-ring (2)	D24x2#01	D24x2#01

ADAPTOR PLATE MODEL : SUB-P-E



ADAPTOR PLATE MODEL : SUB-P-US



DIMENSIONS in mm