



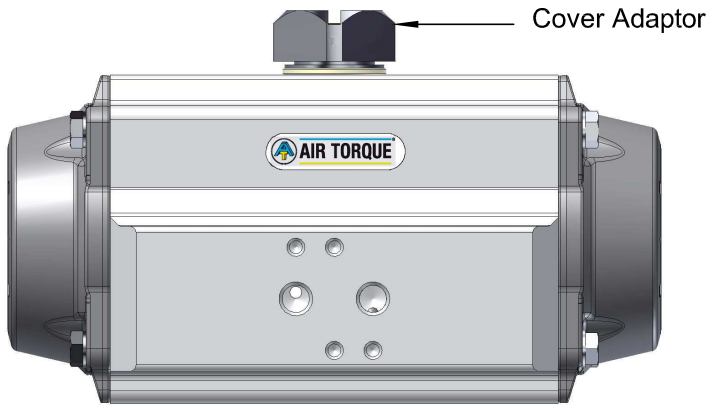
AIR TORQUE

AIR TORQUE S.p.A.
 via dei Livelli di Sopra, N° 8/11
 24060 Costa di Mezzate (Bg) Italy
 Tel.: +39 035 682299
 Fax: +39 035 687791
 E-mail: info@airtorque.it

Tab. n° UKEM-QE

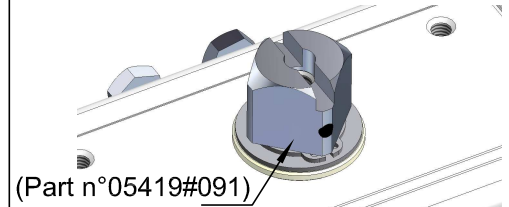
Issued on: 02/13 - Page 1/1

Kit for manual emergency 4thG Upgrade Series, only for models **AT051U to AT301U**

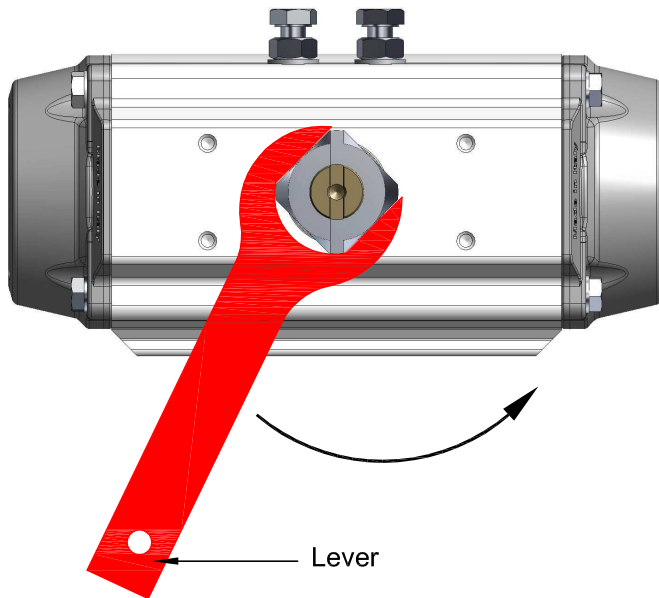
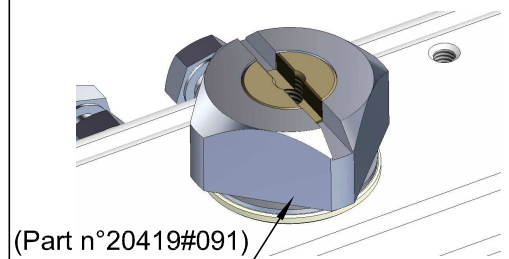


COVER ADAPTOR

AT051U + AT101U

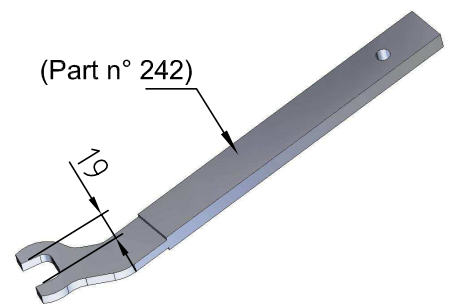


Da AT201U a AT301U

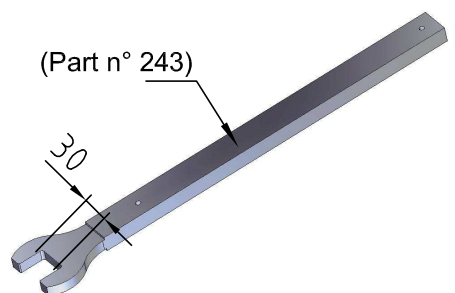


LEVER

AT051U + AT101U



Da AT201U a AT301U



Model Size	AT051U + AT101U	AT201U => AT301U
-------------------	-----------------	------------------

Kit Number	KEM051U	KEM201U
-------------------	----------------	---------

Description	Q.ty	Part Number	
Cover Adaptor	1	05419#091	20419#091
Lever	1	LEVA-242	LEVA-243

PRZEDSTAWICIEL W POLSCE:

ARA

PNEUMATIK

53-012 Wrocław tel. 71 364 72 85
 ul. Wyścigowa 38 fax 71 364 72 83

www.arapneumatik.pl



Dimensions in mm