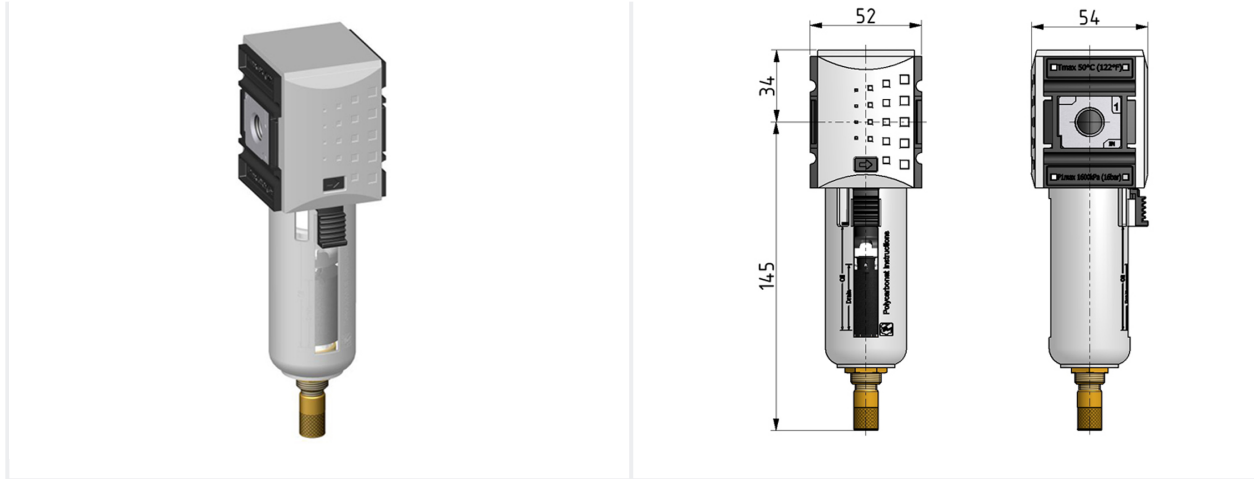


# Filter

Filter G1/4 5µm with PC bowl, bowl guard and automatic drain

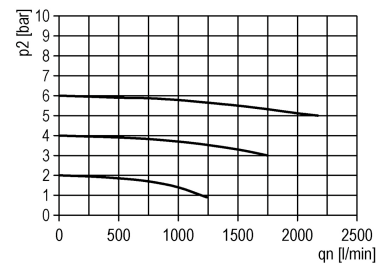
| kod           | number | Port  | P1 max. | Flow       | Weight |
|---------------|--------|-------|---------|------------|--------|
| BG1F-FO-1/4-A | 029865 | G 1/4 | 16bar   | 2200 l/min |        |



## Technical data

- **Medium:**  
Compressed Air, Neutral Gases
- **P1 max.:**  
16 bar
- **Flow:**  
2200 l/min
- **Temperatur range:**  
-10 °C - +50 °C
- **Bowl:**  
PC with bowl guard PA
- **Drain:**  
automatic drain (AM)
- **Installation position:**  
vertically
- **Filter fineness:**  
5 µm
- **Port:**  
G 1/4

## Flow diagram



## References



- 026239  
PC-Bowl



- 052210  
Bracket kit BG1



- 034270  
Coupling kit BG1



- 034271  
Coupling kit BG1