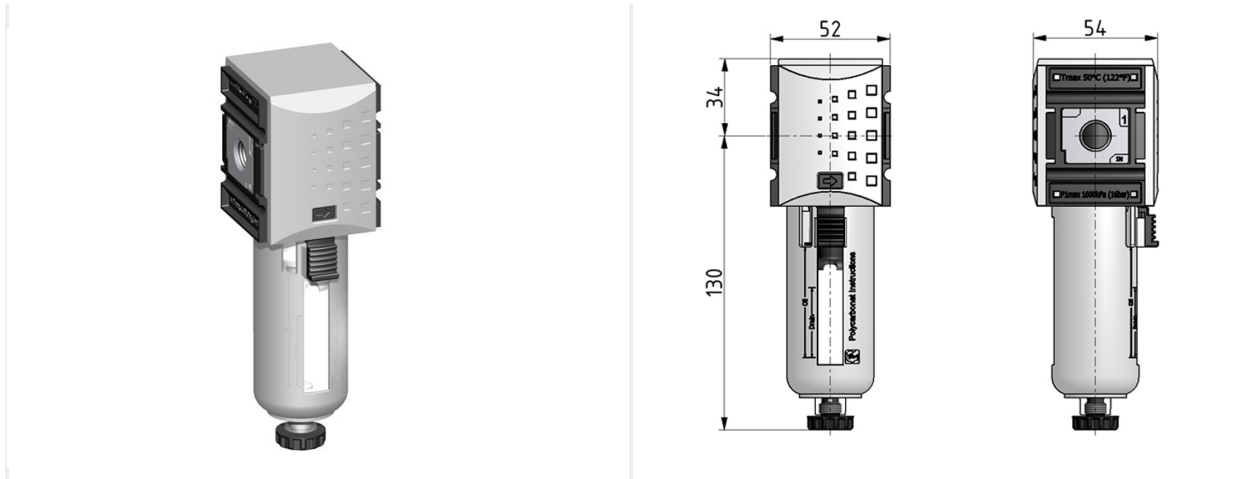


Filter

Filter G1/4 5µm with PC bowl, bowl guard and semi automatic drain

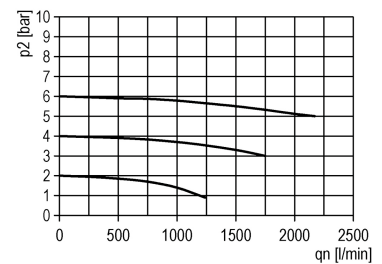
kod	number	Port	PI max.	Flow	Weight
BG1F-FO-1/4	029863	G1/4	16bar	2200 l/min	0.2501



Technical data

- **Medium:**
Compressed Air, Neutral Gases
- **PI max.:**
16 bar
- **Flow:**
2200 l/min
- **Temperatur range:**
-10 °C - +50 °C
- **Bowl:**
PC with bowl guard PA
- **Drain:**
semi-automatic drain (HA)
- **Installation position:**
vertically
- **Filter fineness:**
5 µm
- **Port:**
G 1/4

Flow diagram



References



- 026238
PC-Bowl



- 052210
Bracket kit BG1



- 034270
Coupling kit BG1



- 034271
Coupling kit BG1