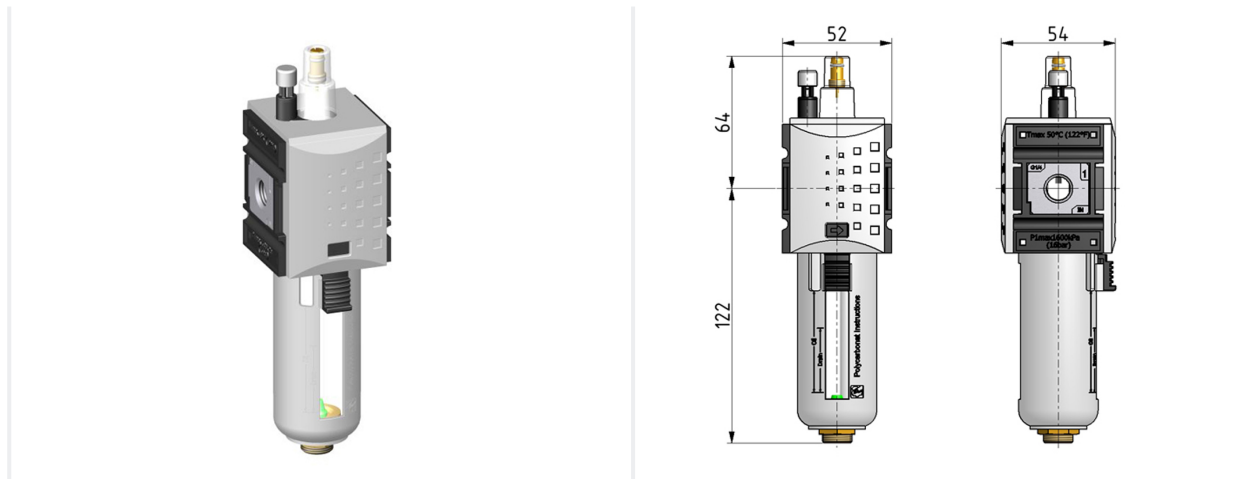


# Lubricator

Lubricator G1/4 with automatic oil filling, PC bowl and bowl guard

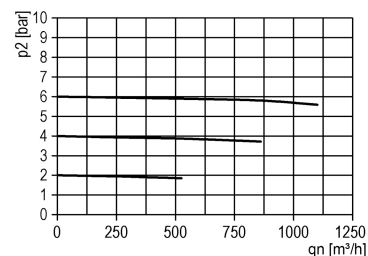
kod	number	Port	P2 max.	Flow	Weight
BG1F-L-1/4	029889	G 1/4	16bar	2750 l/min	0.2714



## Technical data

- **Lubricator:**  
Lubricator with automatic oil filling
- **Refilling oil:**  
Oil resuction possible under press. (P max: 10 bar)
- **Drip attachment:**  
PC/PA
- **Medium:**  
Compressed Air, Neutral Gases
- **Oil sort:**  
CL 32 according to DIN 51517 - ISO VG 32
- **Temperatur range:**  
-10 °C - +50 °C
- **Bowl:**  
PC with bowl guard PA
- **Installation position:**  
vertically
- **Volume bowl lubricator:**  
40 cm<sup>3</sup>
- **P1 max.:**  
16 bar
- **Port:**  
G 1/4
- **Flow:**  
2750 l/min

## Flow diagram



## References



052210  
Bracket kit BG1



• 034271  
Coupling kit BG1



• 034270  
Coupling kit BG1