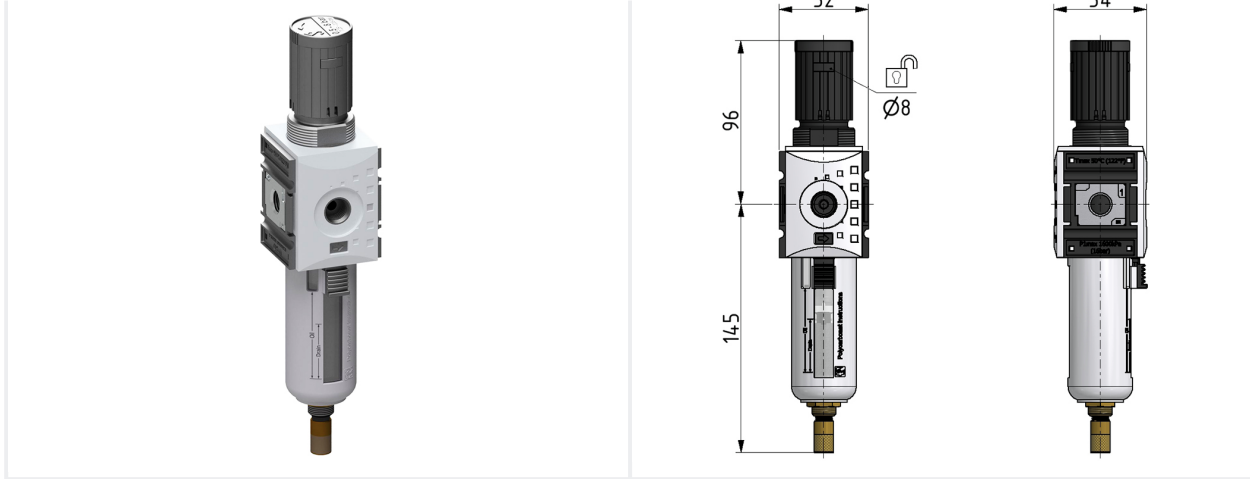


Filter regulator

Filter regulator G1/4 0,5-8 5µm with PC bowl, bowl guard and automatic drain

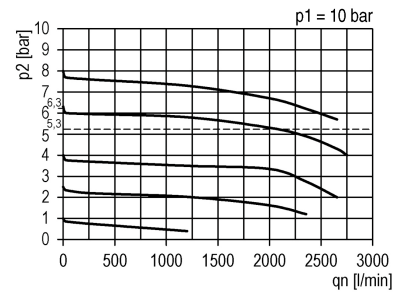
kod	number	Port	P2 max.	Flow	Weight
BG1F-FR-1/4-8-A-SPL-5	029847	G 1/4	8 bar	2000 l/min	0.3949



Technical data

- **Air intake:**
Inlet left
- **Verriegelung:**
lockable with Mortise lock or padlock
- **Medium:**
Compressed Air, Neutral Gases
- **P1 max.:**
16 bar
- **P2 max.:**
8 bar
- **Flow:**
2000 l/min
- **Temperatur range:**
-10 °C - +50 °C
- **Bowl:**
PC with bowl guard PA
- **Drain:**
automatic drain (AM)
- **Installation position:**
vertically
- **Filter fineness:**
5 µm
- **Port:**
G 1/4

Flow diagram



References



- 052210
Bracket kit BG1



- 034271
Coupling kit BG1



- 034270
Coupling kit BG1



- 111.63.10-ARA
Manometer



- 052237
Panel nut M36x1,5

- 052275
Bracket kit