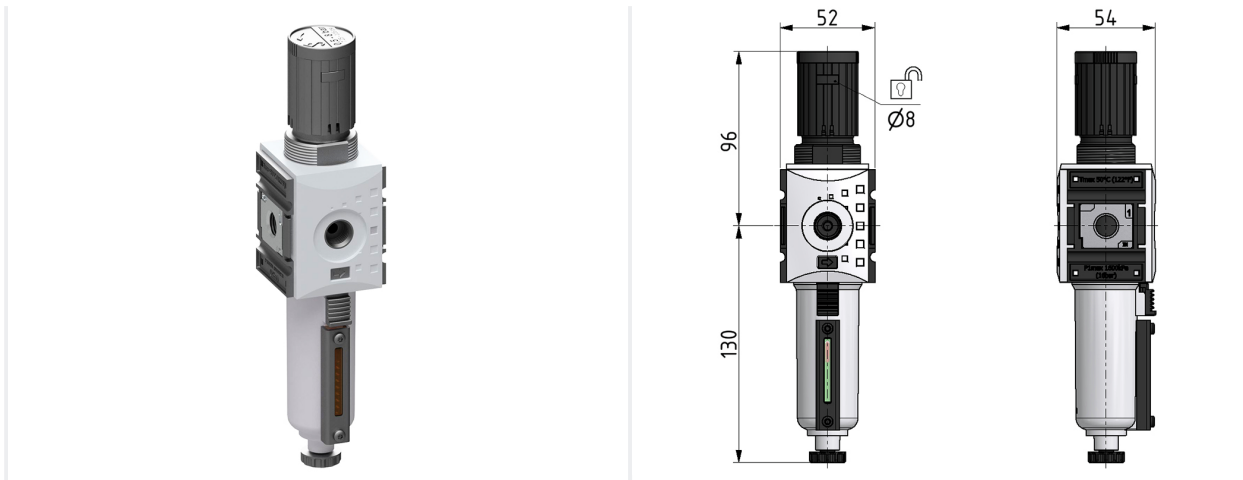


# Filter regulator

Filter regulator G1/4 0,5-8 5µm with metal bowl and semi automatic drain

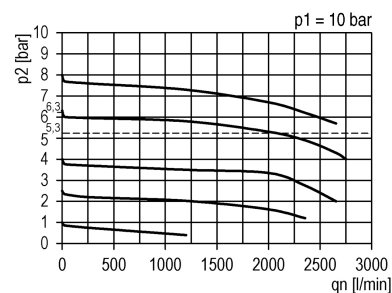
kod	number	Port	P2 max.	Flow	Weight
BG1-F-FR-14	030215	G 1/4	8 bar	2000 l/min	0.5579



## Technical data

- **Air intake:**  
Inlet left
- **Verriegelung:**  
lockable with Mortise lock or padlock
- **Medium:**  
Compressed Air, Neutral Gases
- **P1 max.:**  
16 bar
- **P2 max.:**  
8 bar
- **Flow:**  
2000 l/min
- **Temperatur range:**  
-10 °C - +50 °C
- **Bowl:**  
Metal with Display
- **Drain:**  
semi-automatic drain (HA)
- **Installation position:**  
vertically
- **Filter fineness:**  
5 µm
- **Port:**  
G 1/4

## Flow diagram



## References



- 052210  
Bracket kit BG1



- 034271  
Coupling kit BG1



- 034270  
Coupling kit BG1



- 111.63.10-ARA  
Manometer



- 052237  
Panel nut M36x1,5



- 052275  
Bracket kit