

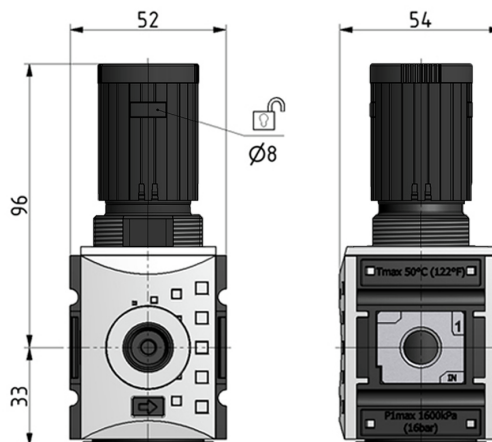
Pressure regulator

Pressure regulator G1/4 0,5-8

ARA

PNEUMATIK

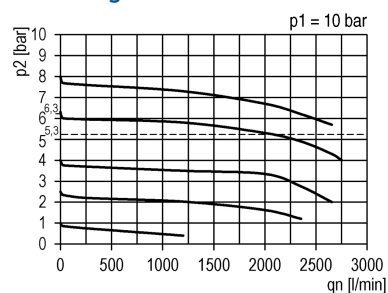
| kod | number | Port | P2 max. | Flow | Weight |
|------------|--------|-------|---------|------------|--------|
| BG1F-R-1/4 | 029825 | G 1/4 | 8 bar | 2000 l/min | 0.2955 |



Technical data

- **Air intake:**
Inlet left
- **Verriegelung:**
lockable with Mortise lock or padlock
- **Medium:**
Compressed Air, Neutral Gases
- **P1 max.:**
16 bar
- **P2 max.:**
8 bar
- **Flow:**
2000 l/min
- **Temperatur range:**
-10 °C - +50 °C
- **Port:**
G 1/4

Flow diagram



References



- 052210
Bracket kit BG1



- 034271 KKOP.1
Coupling kit BG1



- 044020
Bracket



- 034270
Coupling kit BG1



- 052237
Panel nut M36x1,5



- 111.63.10-ARA
Manometer

- 052275
Bracket kit