

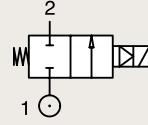
# 2/2

## VALVES FOR WATER PILOT OPERATED



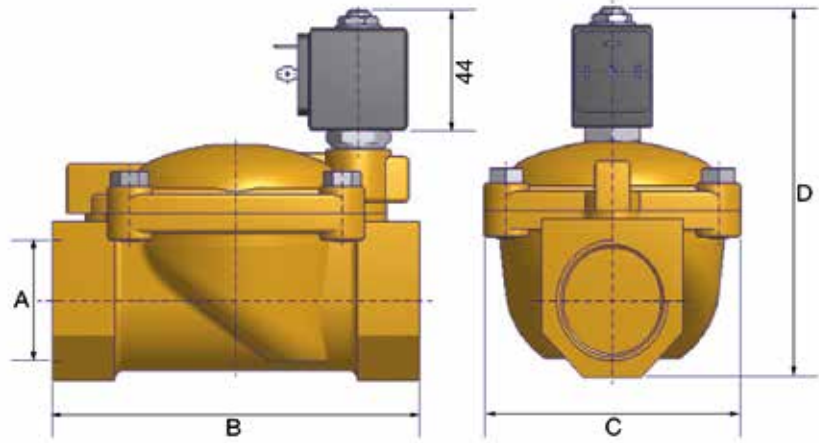
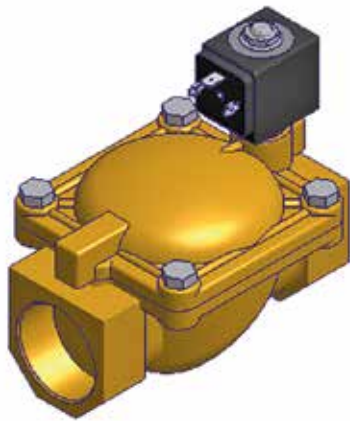
### BRASS PIPE MOUNTING

#### NORMALLY CLOSED



Port size	Orifice Ø	Flow factors			Seat Seal	Atex Zone	Operating Pressure Differential		Fluid Temp.		Power	Voltage	Solenoid Valve Order Number
		Kv l/min	KV m³/h	Qn l/min			Min bar	Max bar	Min °C	Max °C			
1 1/4"	35	420	25.20	-	EPDM	-	0.1	10	-10	140	8	220-230V/50Hz	550208DIS
							0.1	10	-10	140	9	24 Vdc	550207DIS
							0.1	10	-10	90	8	220-230V/50Hz	550033DIS
							0.1	10	-10	90	9	24 Vdc	550032DIS
1 1/2"	40	500	30.00	-	EPDM	-	0.1	10	-10	140	8	220-230V/50Hz	550210DIS
							0.1	10	-10	140	9	24 Vdc	550209DIS
							0.1	10	-10	90	8	220-230V/50Hz	550035DIS
							0.1	10	-10	90	9	24 Vdc	550034DIS
2"	50	620	37.20	-	EPDM	-	0.1	10	-10	140	8	220-230V/50Hz	550218DIS
							0.1	10	-10	140	9	24 Vdc	550217DIS
							0.1	10	-10	90	8	220-230V/50Hz	550216DIS
							0.1	10	-10	90	9	24 Vdc	550215DIS

⚡: Fast Delivery



A	B	C	D
G	mm	mm	mm
1 1/4"	145	102	134
1 1/2"	145	102	134
2"	173	118	148

# ARA<sup>®</sup>

## PNEUMATIK

53-012 Wrocław tel. 71 364 72 82  
ul. Wyciągowa 38 fax 71 364 72 83

[www.arapneumatik.pl](http://www.arapneumatik.pl)

