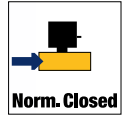
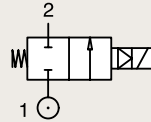


2/2

VALVES FOR WATER PILOT OPERATED



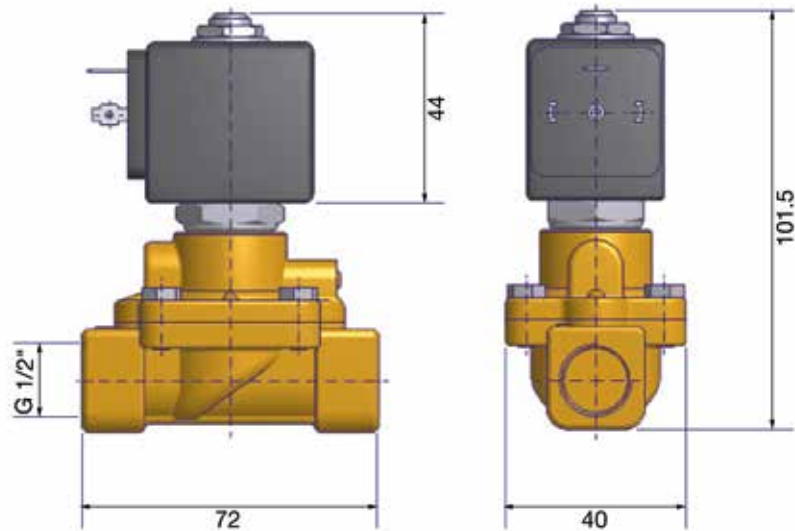
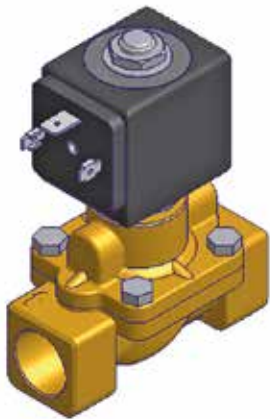
BRASS PIPE MOUNTING NORMALLY CLOSED



Port size BSP	Orifice Ø mm	Flow factors			Seat Seal	Atex Zone	Operating Pressure Differential		Fluid Temp.		Power W	Voltage	Solenoid Valve Order Number
		Kv l/min	KV m³/h	Qn l/min			Min bar	Max bar	Min °C	Max °C			
1/2"	13	50	3.00	-	EPDM	-	0.1	10	-10	140	8	220-230V/50Hz	550019DIS
							0.1	10	-10	140	9	24 Vdc	550018DIS
							0.1	20	-10	90	8	220-230V/50Hz	550021DIS
							0.1	20	-10	90	9	24 Vdc	550020DIS
					FKM	2-22	0.1	20	-10	140	8	220-230V/50Hz	550025DIS
							0.1	20	-10	140	9	24 Vdc	550024DIS
						1-21	0.1	20	-10	50	8	220-230V/50Hz	550160DIS
							0.1	20	-10	50	9	24 Vdc	550159DIS
						0.1	20	-10	80	8	230V/50Hz	550120DIS	
						0.1	20	-10	80	8	24 Vdc	550119DIS	

ATEX

Fast Delivery



ARA[®]

PNEUMATIK

53-012 Wrocław tel. 71 364 72 82
ul. Wyścigowa 38 fax 71 364 72 83

www.arapneumatik.pl

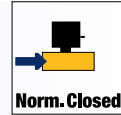


2 WAY VALVES

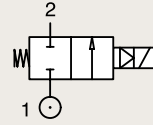
Water

2/2

VALVES FOR WATER PILOT OPERATED

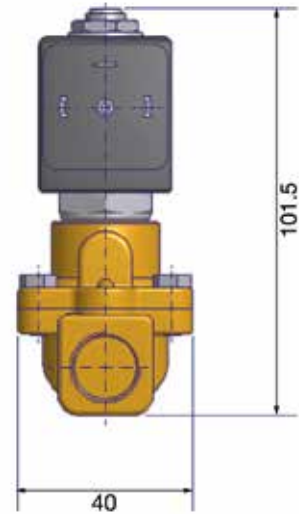
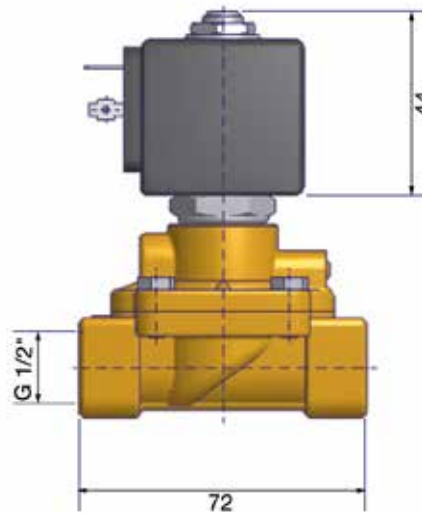
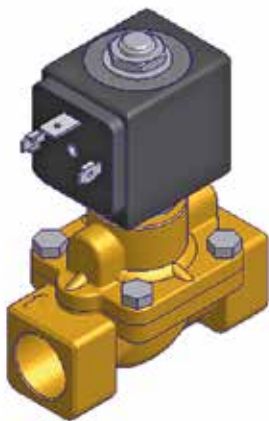


BRASS PIPE MOUNTING NORMALLY CLOSED



Port size	Orifice Ø	Flow factors			Seat Seal	Atex Zone	Operating Pressure Differential		Fluid Temp.		Power	Voltage	Solenoid Valve Order Number
		Kv l/min	KV m ³ /h	Qn l/min			Min bar	Max bar	Min °C	Max °C			
1/2"	13	50	3.00	-	NBR	-	0.1	20	-10	90	8	220-230V/50Hz	550023DIS
							0.1	20	-10	90	9	24 Vdc	550022DIS

Fast Delivery



ARA[®]

PNEUMATIK

53-012 Wrocław tel. 71 364 72 82
ul. Wyścigowa 38 fax 71 364 72 83

www.arapneumatik.pl



2 WAY VALVES

Water