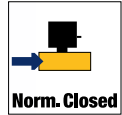
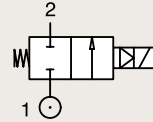


# 2/2

## VALVES FOR WATER PILOT OPERATED



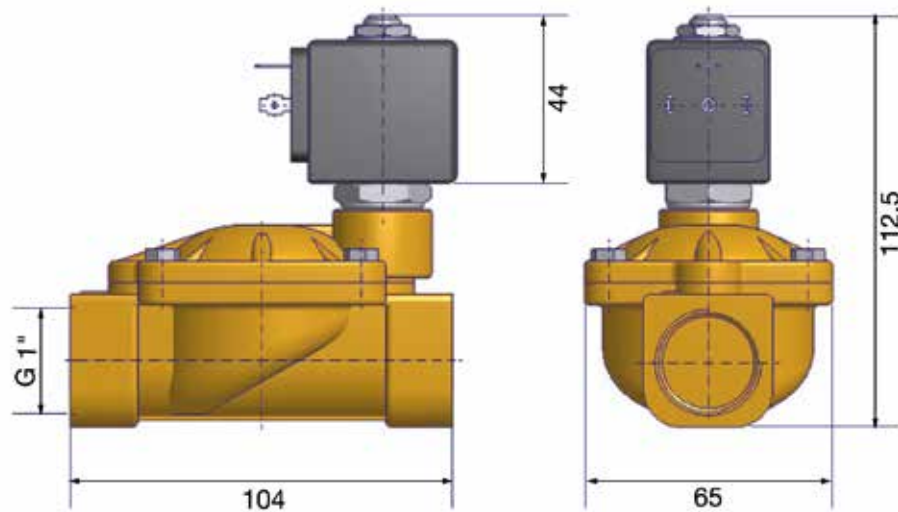
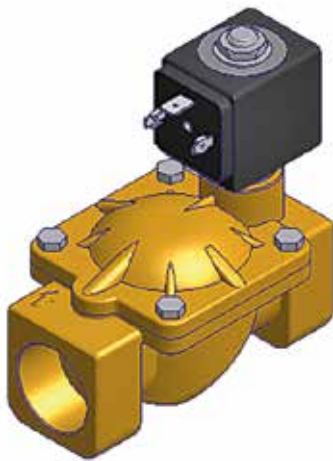
### BRASS PIPE MOUNTING NORMALLY CLOSED



Port size BSP	Orifice Ø mm	Flow factors			Seat Seal	Atex Zone	Operating Pressure Differential		Fluid Temp.		Power W	Voltage	Solenoid Valve Order Number	
		Kv l/min	KV m³/h	Qn l/min			Min bar	Max bar	Min °C	Max °C				
1"	25	160	9.60	-	EPDM	-	0.1	10	-10	140	8	220-230V/50Hz	550029DIS	
							0.1	10	-10	140	9	24 Vdc	550028DIS	
							0.1	20	-10	90	8	220-230V/50Hz	550031DIS	
							0.1	20	-10	90	9	24 Vdc	550030DIS	
					FKM		2-22	0.1	20	-10	140	8	220-230V/50Hz	550204DIS
								0.1	20	-10	140	9	24 Vdc	550203DIS
							1-21	0.1	20	-10	50	8	220-230V/50Hz	550214DIS
								0.1	20	-10	50	9	24 Vdc	550213DIS
0.1	20	-10	80	8	230V/50Hz	550206DIS								
0.1	20	-10	80	8	24 Vdc	550205DIS								

ATEX

Fast Delivery



# ARA<sup>®</sup>

## PNEUMATIK

53-012 Wrocław tel. 71 364 72 82  
ul. Wyścigowa 38 fax 71 364 72 83

[www.arapneumatik.pl](http://www.arapneumatik.pl)



2 WAY VALVES

Water