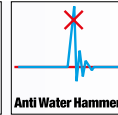
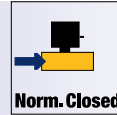


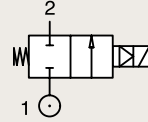
2/2

VALVES FOR WATER PILOT OPERATED



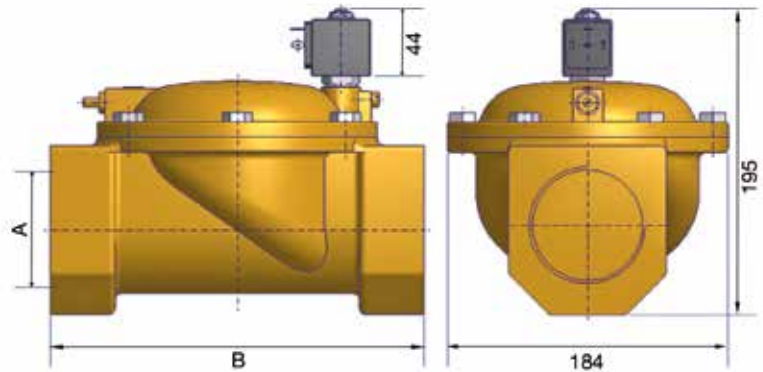
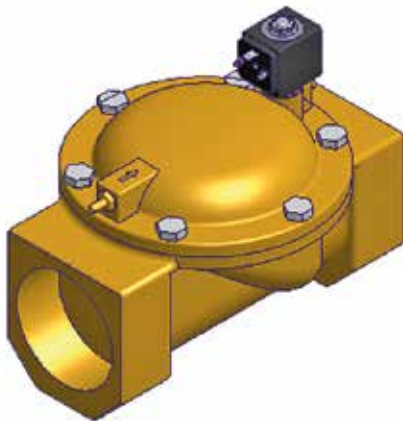
BRASS
PIPE MOUNTING

NORMALLY CLOSED



Port size	Orifice Ø	Flow factors			Seat Seal	Atex Zone	Operating Pressure Differential		Fluid Temp.		Power	Voltage	Solenoid Valve Order Number
		Kv l/min	KV m³/h	Qn l/min			Min bar	Max bar	Min °C	Max °C			
2 1/2"	65	1100	66.00	-	NBR	-	0.2	10	-10	90	8	220-230V/50Hz	550043DIS
							0.2	10	-10	90	9	24 Vdc	550042DIS
3"	75	1334	80.00	-	NBR	-	0.2	10	-10	90	8	220-230V/50Hz	550045DIS
							0.2	10	-10	90	9	24 Vdc	550044DIS

Fast Delivery



A	B
G	mm
2 1/2"	245
3"	250

ARA[®]

PNEUMATIK

53-012 Wrocław tel. 71 364 72 82
ul. Wyścigowa 38 fax 71 364 72 83

www.arapneumatik.pl

