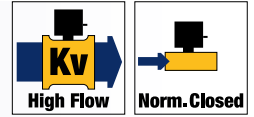


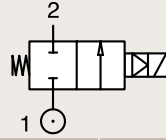
# 2/2

## VALVES FOR WATER PILOT OPERATED



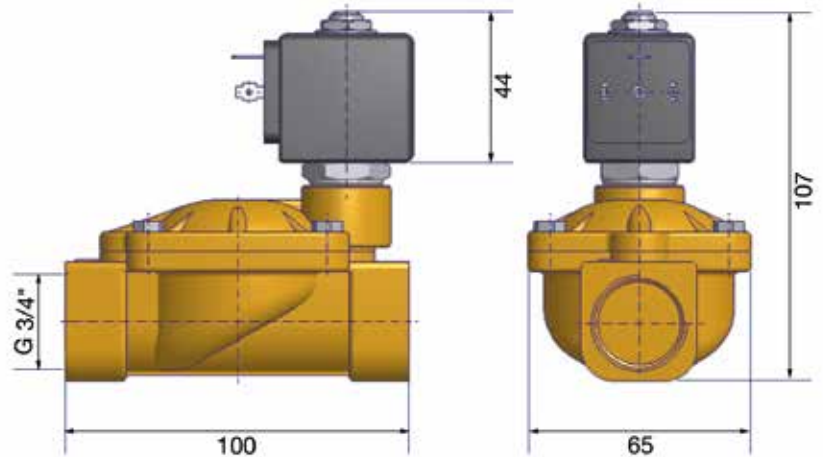
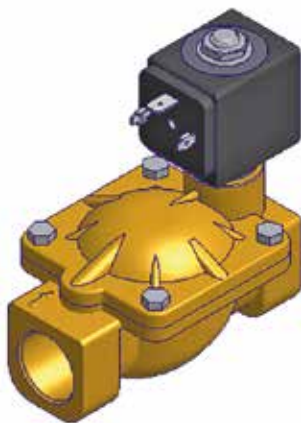
BRASS  
PIPE MOUNTING

**NORMALLY CLOSED**



Port size	Orifice Ø	Flow factors		Seat Seal	Atex Zone	Operating Pressure Differential		Fluid Temp.		Power	Voltage	Solenoid Valve Order Number	
		Kv l/min	KV m³/h			Min bar	Max bar	Min °C	Max °C				W
3/4"	20	140	8.40	EPDM	-	0.1	10	-10	140	8	220-230V/50Hz	550027DIS	
						0.1	10	-10	140	9	24 Vdc	550026DIS	
				NBR		0.1	20	-10	90	8	220-230V/50Hz	550198DIS	
						0.1	20	-10	90	9	24 Vdc	550197DIS	
				FKM		2-22	0.1	20	-10	140	8	220-230V/50Hz	550200DIS
							0.1	20	-10	140	9	24 Vdc	550199DIS
						1-21	0.1	20	-10	65	8	220-230V/50Hz	550212DIS
							0.1	20	-10	65	9	24 Vdc	550211DIS
						1-21	0.1	20	-10	80	8	230V/50Hz	550202DIS
							0.1	20	-10	80	8	24 Vdc	550201DIS

Fast Delivery



# ARA<sup>®</sup>

## PNEUMATIK

53-012 Wrocław tel. 71 364 72 82  
ul. Wyścigowa 38 fax 71 364 72 83

[www.arapneumatik.pl](http://www.arapneumatik.pl)

