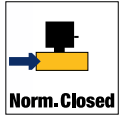


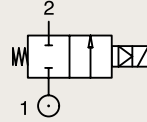
2/2

VALVES FOR WATER PILOT OPERATED



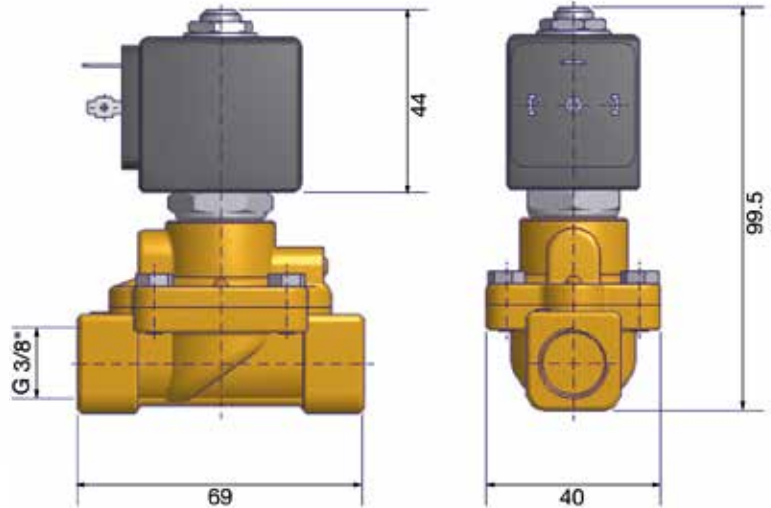
BRASS PIPE MOUNTING

NORMALLY CLOSED



Port size	Orifice Ø	Flow factors			Seat Seal	Atex Zone	Operating Pressure Differential		Fluid Temp.		Power	Voltage	Solenoid Valve Order Number	
		Kv l/min	KV m³/h	Qn l/min			Min bar	Max bar	Min °C	Max °C				W
3/8"	13	50	3.00	-	EPDM	-	0.1	10	-10	140	8	220-230V/50Hz	550037DIS	
							0.1	10	-10	140	9	24 Vdc	550036DIS	
							0.1	20	-10	90	8	220-230V/50Hz	550039DIS	
							0.1	20	-10	90	9	24 Vdc	550038DIS	
							0.1	20	-10	140	8	220-230V/50Hz	550041DIS	
					FKM		2-22	0.1	20	-10	50	8	220-230V/50Hz	550176DIS
								0.1	20	-10	50	9	24 Vdc	550175DIS
								0.1	20	-10	80	8	230V/50Hz	550136DIS
														8

Fast Delivery



ARA[®]

PNEUMATIK

53-012 Wrocław tel. 71 364 72 82
ul. Wyścigowa 38 fax 71 364 72 83

www.arapneumatik.pl

