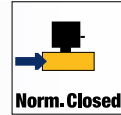
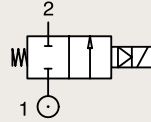


2/2

VALVES FOR HOT WATER AND STEAM MAGNALIFT

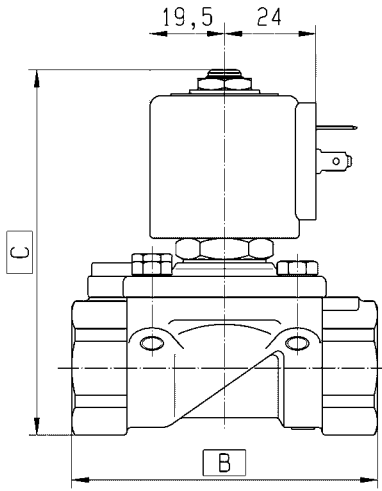
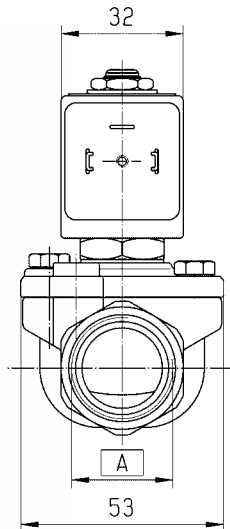


BRASS PIPE MOUNTING NORMALLY CLOSED



Port size	Orifice Ø	Flow factors			Seat Seal	Atex Zone	Operating Pressure Differential		Fluid Temp.		Power	Voltage	Solenoid Valve Order Number
		Kv l/min	KV m³/h	Qn l/min			Min bar	Max bar	Min °C	Max °C			
3/8"	15	65	3.90	-	EPDM	-	0	10	0	100	8	220-230V/50Hz	221G1303-2995-4818653D
1/2"							0	10	0	100	8	220-230V/50Hz	221G1503-2995-4818653D
3/4"		80	4.80				0	10	0	100	8	220-230V/50Hz	221G1603-2995-4818653D
1"							0	10	0	100	8	220-230V/50Hz	221G1703-2995-4818653D

Fast Delivery



	A	B	C
G 3/8"	75	93	
G 1/2"	75	93	
G 3/4"	80	95,5	
G 1"	85	102,5	

2 WAY VALVES

Hot Water & Steam

ARA[®]

PNEUMATIK

53-012 Wrocław tel. 71 364 72 82
ul. Wyścigowa 38 fax 71 364 72 83

www.arapneumatik.pl

