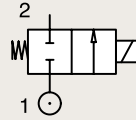


2/2

VALVES FOR ALL FLUIDS AND AIR DIRECT OPERATED



BRASS PIPE MOUNTING NORMALLY CLOSED

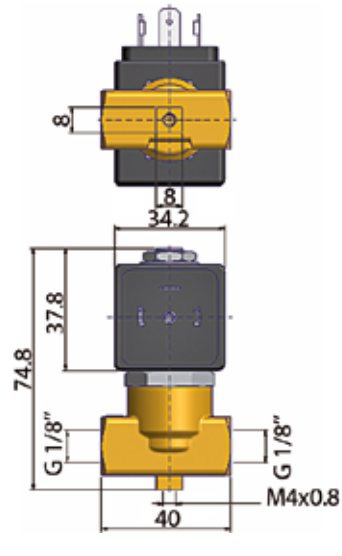
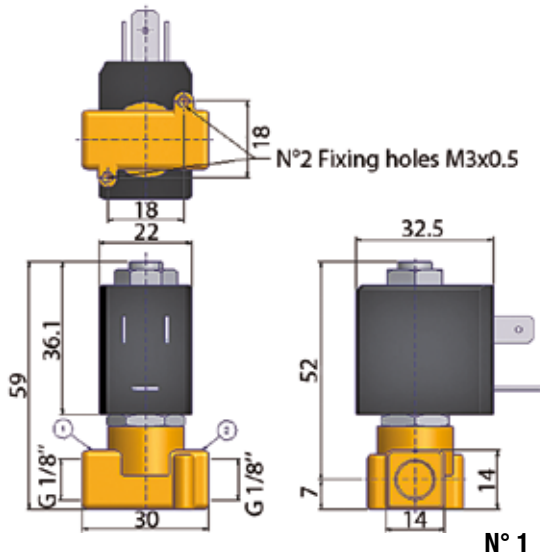


Port size	Orifice Ø	Flow factors			Seat Seal	Atex Zone	Operating Pressure Differential		Fluid Temp.		Power	Voltage	Solenoid Valve Order Number
		Kv l/min	KV m³/h	Qn l/min			Min bar	Max bar	Min °C	Max °C			
1/8"	2	1.5	0.09	-	FKM	-	0	15	-10	140	4.5	230V/50-60Hz	550193DIS ₁
							0	7	-10	140	5	24 Vdc	550058DIS ₁
	2.5	2.2	0.13				0	10	-10	140	4.5	230V/50-60Hz	550059DIS ₁
							0	4	-10	140	5	24 Vdc	550194DIS ₁
	3	4.5	0.27				0	10	-10	140	9	230V/50-60Hz	550094DIS ₂
							0	5	-10	140	12	24 Vdc	550093DIS ₂
							0	7	-10	140	9	230V/50-60Hz	550096DIS ₂
							0	2	-10	140	12	24 Vdc	550095DIS ₂

Notes:

1. Drawing number 1
2. Drawing number 2

Fast Delivery



ARA[®]

PNEUMATIK

53-012 Wrocław tel. 71 364 72 82
ul. Wyścigowa 38 fax 71 364 72 83

www.arapneumatik.pl

