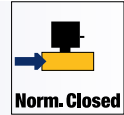
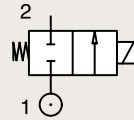


2/2

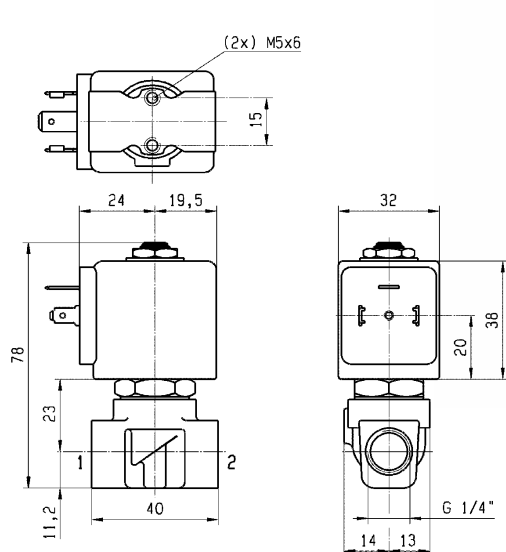
VALVES FOR ALL FLUIDS AND AIR DIRECT OPERATED



BRASS PIPE MOUNTING NORMALLY CLOSED



Port size	Orifice Ø	Flow factors			Seat Seal	Atex Zone	Operating Pressure Differential		Fluid Temp.		Power W	Voltage	Solenoid Valve Order Number
		Kv l/min	KV m³/h	Qn l/min			Min bar	Max bar	Min °C	Max °C			
1/4"	1.2	0.85	0.05	50	Ruby	-	0	80	-30	100	8	220-230V/50Hz	E121K65-2995-4818653D
							0	36	-30	100	9	24 Vdc	E121K65-2995-481865C2
	1.5	1.5	0.09	80	PCTFE	-	0	60	-30	75	8	220-230V/50Hz	E121K04-2995-4818653D
							0	25	-30	75	9	24 Vdc	E121K04-2995-481865C2
	2.5	3.5	0.21	220	FKM	-	0	14	-10	100	8	220-230V/50Hz	121K0706-2995-4818653D
							0	7	-10	100	9	24 Vdc	121K0706-2995-481865C2
1/4"	3	4.5	0.27	320	FKM	-	0	12	-10	120	14	24 Vdc	121K0706-2995-492425C2
							0	10	-10	100	8	220-230V/50Hz	E121K63-2995-4818653D
1/4"	4	7.5	0.45	480	FKM	-	0	10	-10	100	8	220-230V/50Hz	E121K63-2995-481865C2
							0	10	-10	120	14	230V/50Hz	E121K03-2995-4818653D
1/4"	5	11	0.66	750	FKM	-	0	7	-10	100	8	220-230V/50Hz	E121K03-2995-481865C2
							0	7	-10	75	9	24 Vdc	E121K03-2995-481865C2
	5	11	0.66	750	FKM	-	0	10	-10	100	8	220-230V/50Hz	E121K0302-2995-4818653D
							0	7	-10	100	9	24 Vdc	E121K0302-2995-481865C2
	5	11	0.66	750	FKM	-	0	20	-30	100	8	220-230V/50Hz	E121K0302-2995-4818653D
							0	7	-10	100	9	24 Vdc	E121K0302-2995-481865C2
5	11	0.66	750	FKM	-	0	10	-10	100	8	220-230V/50Hz	E121K64-2995-4818653D	
						0	7	-30	100	9	24 Vdc	E121K64-2995-481865C2	



ARA[®]
PNEUMATIK
53-012 Wrocław tel. 71 364 72 82
ul. Wyciągowa 38 fax 71 364 72 83
www.arapneumatik.pl

