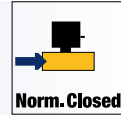


2/2

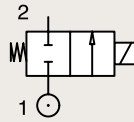
VALVES FOR ALL FLUIDS AND AIR DIRECT OPERATED



All Fluids & Air

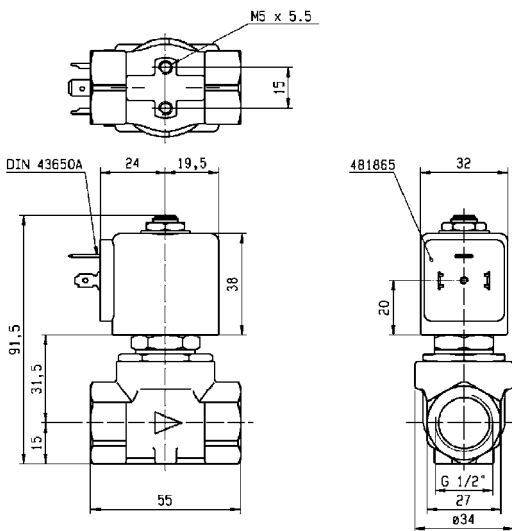
2 WAY VALVES

BRASS PIPE MOUNTING NORMALLY CLOSED



Port size	Orifice Ø	Flow factors			Seat Seal	Atex Zone	Operating Pressure Differential		Fluid Temp.		Power	Voltage	Solenoid Valve Order Number	
		Kv l/min	KV m³/h	Qn l/min			Min bar	Max bar	Min °C	Max °C				W
1/2"	8.5	25	1.50	1600	FKM	-	0	1.1	-10	100	8	220-230V/50Hz	E121K46-2995-4818653D	
							0	4	-10	120	14	230V/50Hz	E121K46-2995-492425F4	
							0	0.5	-10	100	9	24 Vdc	E121K46-2995-481865C2	
							0	1.2	-10	120	14	24 Vdc	E121K46-2995-492425C2	
							2-22	0	1.1	-10	65	8	220-230V/50Hz	E121K46-2995-4958703D
							2-22	0	0.5	-10	65	9	24 Vdc	E121K46-2995-495870C2
	11	36	2.16	2500		1-21	0	1.1	-10	80	8	230V/50Hz	E121K46-495905F4	
							0	0.5	-10	80	8	24 Vdc	E121K46-495905C2	
							-	0	0.7	-10	100	8	220-230V/50Hz	E121K45-2995-4818653D
							-	0	0.3	-10	100	9	24 Vdc	E121K45-2995-481865C2
							2-22	0	2.5	-10	65	8	220-230V/50Hz	E121K45-2995-4958703D
							2-22	0	0.7	-10	65	9	24 Vdc	E121K45-2995-495870C2
1-21	0	0.7	-10	80	8	230V/50Hz	E121K45-495905F4							
	0	0.3	-10	80	8	24 Vdc	E121K45-495905C2							

Fast Delivery



ARA[®]

PNEUMATIK

53-012 Wrocław tel. 71 364 72 82
ul. Wyścigowa 38 fax 71 364 72 83

www.arapneumatik.pl

