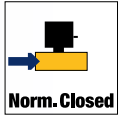


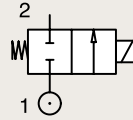
2/2

VALVES FOR ALL FLUIDS AND AIR DIRECT OPERATED



316L STAINLESS ST.
PIPE MOUNTING

NORMALLY CLOSED

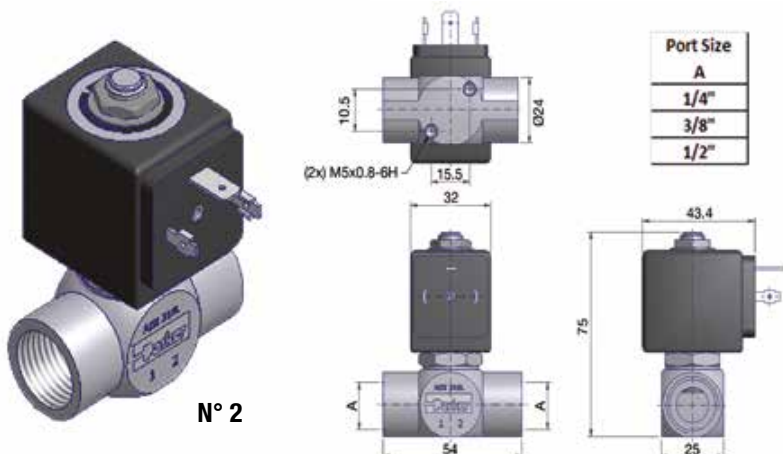
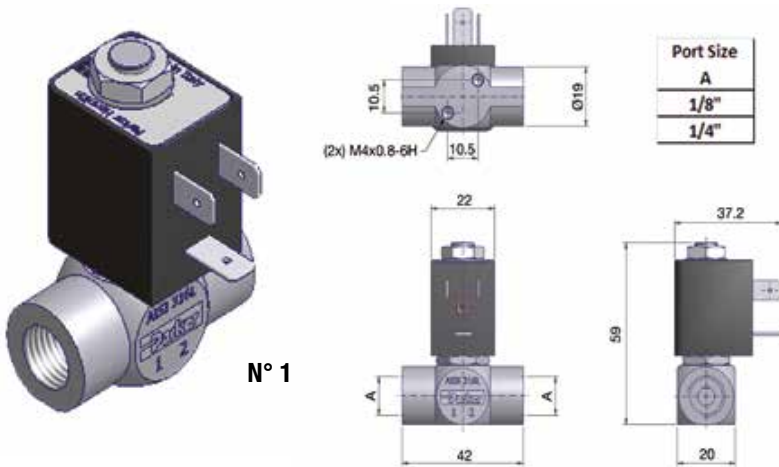


Port size	Orifice Ø	Flow factors			Seat Seal	Atex Zone	Operating Pressure Differential		Fluid Temp.		Power	Voltage	Solenoid Valve Order Number
		Kv l/min	KV m³/h	Qn l/min			Min bar	Max bar	Min °C	Max °C			
1/8"	1.5	1	0.06	-	FKM	-	0	20	-10	140	4	220-230V/50Hz	550001DIS ₁
							0	10	-10	140	5	24 Vdc	550000DIS ₁
							0	20	-10	140	4	220-230V/50Hz	550003DIS ₁
1/4"	2.5	2.3	0.14	-	FKM	-	0	10	-10	140	5	24 Vdc	550002DIS ₁
							0	10	-10	140	4	220-230V/50Hz	550005DIS ₁
							0	4	-10	140	5	24 Vdc	550004DIS ₁
3/8"	3	4.5	0.27	-	FKM	-	0	10	-10	140	11	220-240/50-60	550007DIS ₂
							0	11	-10	140	12	24 Vdc	550006DIS ₂
							0	4	-10	140	11	220-240/50-60	550009DIS ₂
1/2"	5	8	0.48	-	FKM	-	0	4	-10	140	12	24 Vdc	550008DIS ₂
							0	4	-10	140	11	220-240/50-60	550011DIS ₂
1/2"	5	8	0.48	-	FKM	-	0	4	-10	140	11	220-240/50-60	550011DIS ₂
							0	4	-10	140	12	24 Vdc	550010DIS ₂



Fast Delivery

Notes:
1. Drawing number 1
2. Drawing number 2



ARA[®]
PNEUMATIK

ul. Wyciągowa 38, 53-012 Wrocław
tel. 71 364 72 82, ara@arapneumatik.pl
www.arapneumatik.pl

