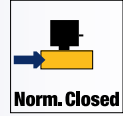


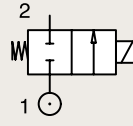
2/2

VALVES FOR ALL FLUIDS AND AIR DIRECT OPERATED

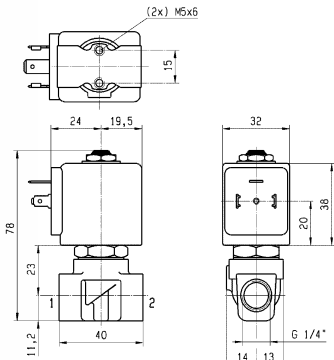


BRASS PIPE MOUNTING

NORMALLY CLOSED



Port size	Orifice Ø	Flow factors			Seat Seal	Atex Zone	Operating Pressure Differential		Fluid Temp.		Power	Voltage	Solenoid Valve Order Number								
		Kv l/min	KV m³/h	Qn l/min			Min bar	Max bar	Min °C	Max °C				W							
1/4"	1.2	0.85	0.05	50	Ruby	2-22	0	80	-30	65	8	220-230V/50Hz	E121K65-2995-4958703D								
							0	36	-30	65	9	24 Vdc	E121K65-2995-495870C2								
						1-21	0	80	-30	80	8	230V/50Hz	E121K65-495905F4								
							0	36	-30	80	8	24 Vdc	E121K65-495905C2								
						1.5	1.5	0.09	80	PCTFE	2-22	0	60	-30	65	8	220-230V/50Hz	E121K04-2995-4958703D			
												0	25	-30	65	9	24 Vdc	E121K04-2995-495870C2			
	1-21	0	60	-30	75	8	230V/50Hz	E121K04-495905F4	0	25	-30	75	8	24 Vdc	E121K04-495905C2						
																0	14	-10	65	8	220-230V/50Hz
	1/4"	2.5	3.5	0.21	220	FKM	2-22	0	7	-10	65	9	24 Vdc	121K0706-2995-495870C2							
								0	14	-10	80	8	230V/50Hz	121K0706-495905F4							
							1-21	0	7	-10	80	8	24 Vdc	121K0706-495905C2	0	28	-30	65	8	220-230V/50Hz	E121K63-2995-4958703D
								0	10	-30	65	9	24 Vdc	E121K63-2995-495870C2							
2-22							0	28	-30	80	8	230V/50Hz	E121K63-495905F4	0	10	-30	80	8	24 Vdc	E121K63-495905C2	
																					0
1/4"		3	4.5	0.27	320	PCTFE	2-22	0	7	-30	65	9	24 Vdc	E121K03-2995-495870C2							
								0	20	-30	75	8	230V/50Hz	E121K03-495905F4							
							1-21	0	7	-30	75	8	24 Vdc	E121K03-495905C2	0	10	-10	65	8	220-230V/50Hz	E121K0302-2995-4958703D
								0	7	-30	75	8	24 Vdc	E121K03-495905C2							
							2-22	0	10	-10	65	8	230V/50Hz	E121K0302-495905F4	0	7	-10	80	8	24 Vdc	E121K0302-495905C2
	1-21	0	7	-30	65	9	24 Vdc	E121K64-2995-495870C2	0	20	-30	80	8	230V/50Hz	E121K64-495905F4						
																0	7	-30	80	8	24 Vdc
	1/4"	4	7.5	0.45	480	FKM	2-22	0	10	-10	65	8	220-230V/50Hz	121K02-2995-4958703D							
								0	4	-10	65	9	24 Vdc	121K02-2995-495870C2							
							1-21	0	10	-10	80	8	230V/50Hz	121K02-495905F4	0	7	-10	65	8	220-230V/50Hz	121K01-2995-4958703D
								0	4	-10	80	8	24 Vdc	121K02-495905C2							
2-22							0	7	-10	65	8	24 Vdc	121K01-2995-495870C2	0	2	-10	65	9	24 Vdc	121K01-2995-495870C2	
																					0
1-21		0	7	-10	80	8	24 Vdc	121K01-495905C2	0	2	-10	80	8	24 Vdc	121K01-495905C2						



ARA®

PNEUMATIK

ul. Wyścigowa 38, 53-012 Wrocław
tel. 71 364 72 82, ara@arapneumatik.pl
www.arapneumatik.pl

