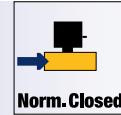


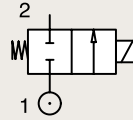
# 2/2

## VALVES FOR ALL FLUIDS AND AIR DIRECT OPERATED



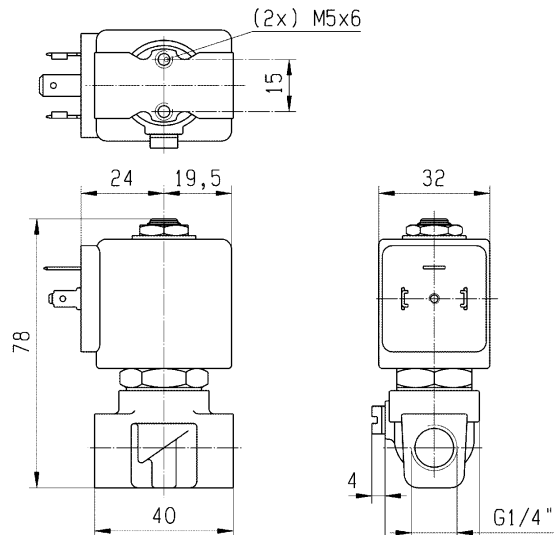
BRASS  
PIPE MOUNTING

**NORMALLY CLOSED**



Port size	Orifice Ø	Flow factors			Seat Seal	Atex Zone	Operating Pressure Differential		Fluid Temp.		Power	Voltage	Solenoid Valve Order Number
		Kv l/min	KV m³/h	Qn l/min			Min bar	Max bar	Min °C	Max °C			
1/4"	3	4.5	0.27	320	FKM	2-22	0	10	-10	65	8	220-230V/50Hz	E121K0352-2995-4958703D
							0	7	-10	65	9	24 Vdc	E121K0352-2995-495870C2
						1-21	0	10	-10	80	8	230V/50Hz	E121K0352-495905F4
							0	7	-10	80	8	24 Vdc	E121K0352-495905C2
	4	7.5	0.45	480		2-22	0	10	-10	65	8	220-230V/50Hz	121K0250-2995-4958703D
							0	4	-10	65	9	24 Vdc	121K0250-2995-495870C2
1-21	0	10	-10	80	8	230V/50Hz	121K0250-495905F4						
	0	4	-10	80	8	24 Vdc	121K0250-495905C2						

ATEX  
ATEX



**ARA**<sup>®</sup>  
PNEUMATIK

ul. Wyścigowa 38, 53-012 Wrocław  
tel. 71 364 72 82, ara@arapneumatik.pl  
[www.arapneumatik.pl](http://www.arapneumatik.pl)

