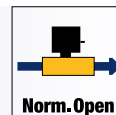


2/2

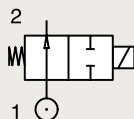
VALVES FOR ALL FLUIDS AND AIR

DIRECT OPERATED



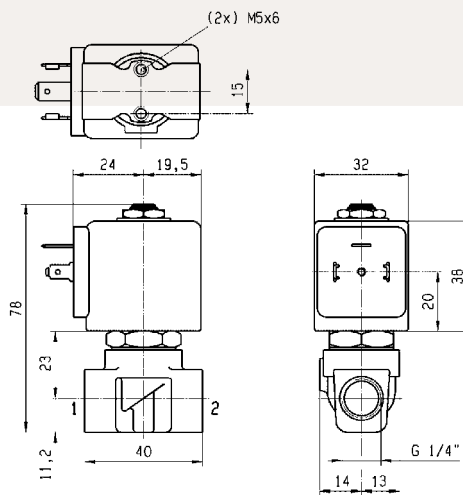
All Fluids & Air

BRASS
PIPE MOUNTING
NORMALLY OPEN



Port size	Orifice Ø	Flow factors			Seat Seal	Atex Zone	Operating Pressure Differential		Fluid Temp.		Power	Voltage	Solenoid Valve Order Number					
		Kv l/min	KV m³/h	Qn l/min			Min bar	Max bar	Min °C	Max °C				W				
1/4"	1.5	1.5	0.09	80	PCTFE	2-22	0	30	-10	65	8	220-230V/50Hz	122K84-2995-4958703D					
							0	30	-10	65	9	24 Vdc	122K84-2995-495870C2					
						1-21	0	30	-10	80	8	230V/50Hz	122K84-495905F4					
							0	30	-10	80	8	24 Vdc	122K84-495905C2					
						2.5	3	0.18	180	FKM	2-22	0	12	-30	65	8	220-230V/50Hz	122K83-2995-4958703D
												0	12	-30	65	9	24 Vdc	122K83-2995-495870C2
	1-21	0	12	-30	75						8	230V/50Hz	122K83-495905F4					
		0	12	-30	75						8	24 Vdc	122K83-495905C2					
	2-22	0	12	-10	65						8	220-230V/50Hz	122K8306-2995-4958703D					
		0	12	-10	65						9	24 Vdc	122K8306-2995-495870C2					
	1-21	0	12	-10	80	8	230V/50Hz	122K8306-495905F4										
		0	12	-10	80	8	24 Vdc	122K8306-495905C2										

ATEX ATEX ATEX



ARA®

PNEUMATIK

ul. Wyscigowa 38, 53-012 Wrocław
tel. 71 364 72 82, ara@arapneumatik.pl
www.arapneumatik.pl

