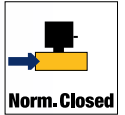
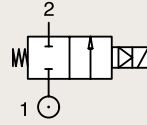


2/2

VALVES FOR ALL FLUIDS AND AIR MAGNALIFT



BRASS PIPE MOUNTING NORMALLY CLOSED

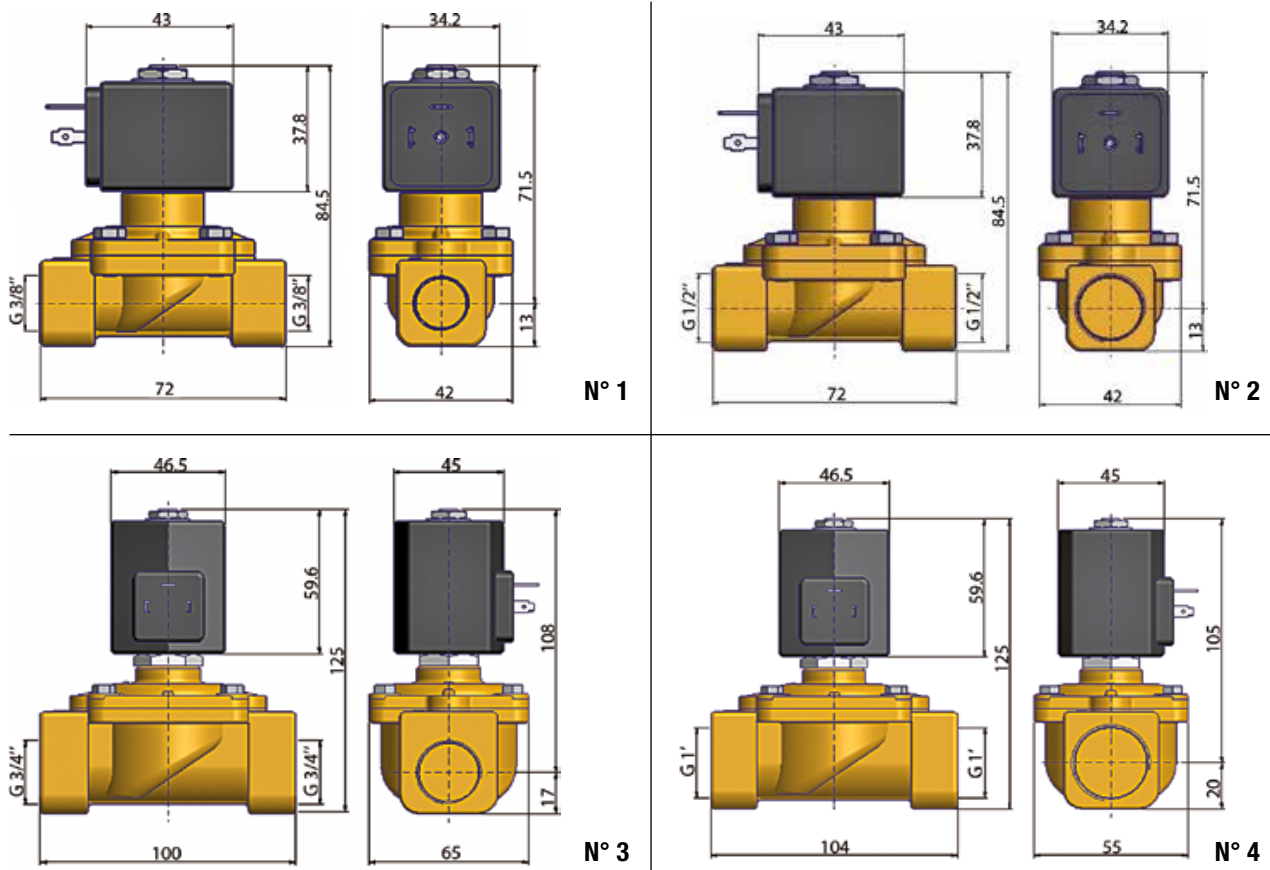


Port size	Orifice Ø	Flow factors			Seat Seal	Atex Zone	Operating Pressure Differential		Fluid Temp.		Power	Voltage	Solenoid Valve Order Number
		Kv l/min	KV m³/h	Qn l/min			Min bar	Max bar	Min °C	Max °C			
3/8"	13	40	2.40	-	FKM	-	0	5	-10	140	9	230V/50-60Hz	550066DIS ₁
1/2"	20	100	6.00	-			0	5	-10	140	9	230V/50-60Hz	550064DIS ₂
3/4"	25	117	7.00	-			0	3	-10	140	14	230V/50-60Hz	550065DIS ₃
1"	25	117	7.00	-			0	3	-10	140	14	230V/50-60Hz	550071DIS ₄

Notes:

1. Drawing number 1
2. Drawing number 2
3. Drawing number 3
4. Drawing number 4

Fast Delivery



ARA®

PNEUMATIK

53-012 Wrocław tel. 71 364 72 82
ul. Wyścigowa 38 fax 71 364 72 83

www.arapneumatik.pl

