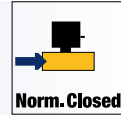


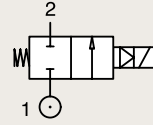
2/2

VALVES FOR ALL FLUIDS AND AIR MAGNALIFT



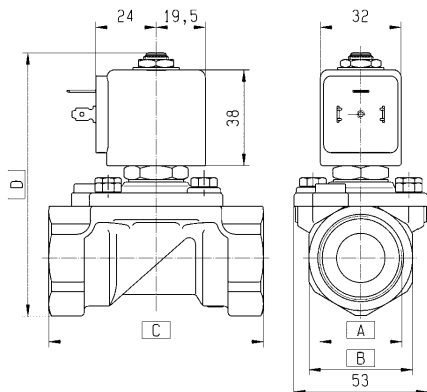
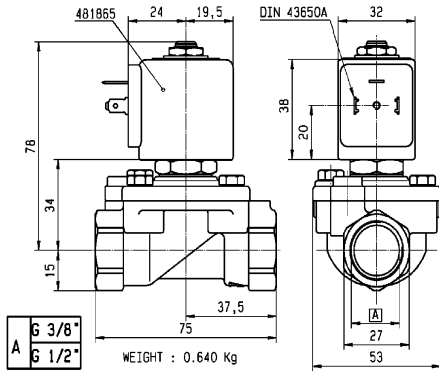
All Fluids & Air

BRASS PIPE MOUNTING NORMALLY CLOSED



Port size	Orifice Ø	Flow factors			Seat Seal	Atex Zone	Operating Pressure Differential		Fluid Temp.		Power	Voltage	Solenoid Valve Order Number
		Kv l/min	KV m³/h	Qn l/min			Min bar	Max bar	Min °C	Max °C			
3/8"	15	65	3.90	4500	NBR	-	0	16	-10	100	8	220-230V/50Hz	221G13-2995-4818653D
							0	6	-10	100	14	24 Vdc	221G13-2995-492425C2
							0	16	-10	100	8	220-230V/50Hz	221G15-2995-4818653D
							0	6	-10	100	14	24 Vdc	221G15-2995-492425C2
							0	10	-10	100	9	24 Vdc	221G1530-2995-481865C2
							0	16	0	100	8	220-230V/50Hz	221G25-2995-4818653D
1/2"	15	65	3.90	4500	FKM	-	0	5	0	100	14	24 Vdc	221G25-2995-492425C2
							0	10	-10	100	9	24 Vdc	221G2530-2995-481865C2
							0	16	-10	100	8	220-230V/50Hz	221G16-2995-4818653D
							0	6	-10	100	14	24 Vdc	221G16-2995-492425C2
							0	16	0	100	8	220-230V/50Hz	221G26-2995-4818653D
							0	5	0	100	14	24 Vdc	221G26-2995-492425C2
3/4"	15.00	80	4.80	6000	FKM	-	0	16	-10	100	8	220-230V/50Hz	221G17-2995-4818653D
							0	6	-10	100	14	24 Vdc	221G17-2995-492425C2
							0	16	-10	100	8	220-230V/50Hz	221G21-2995-4818653D
							0	6	-10	100	14	24 Vdc	221G21-2995-492425C2
							0	16	-10	100	8	220-230V/50Hz	221G21-2995-4818653D
							0	6	-10	100	14	24 Vdc	221G21-2995-492425C2
1"	25.00	170	10.20	14000	NBR	-	0	16	-10	100	8	220-230V/50Hz	221G21-2995-4818653D
							0	6	-10	100	14	24 Vdc	221G21-2995-492425C2
							0	10	-10	100	9	24 Vdc	221G2130-2995-481865C2

Fast Delivery



A	B	C	D
G 3/4"	35	80	95,5
G 1"	41	85	102,5



ARA®

PNEUMATIK

53-012 Wrocław tel. 71 364 72 82
ul. Wyścigowa 38 fax 71 364 72 83
www.arapneumatik.pl

