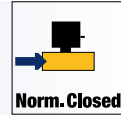


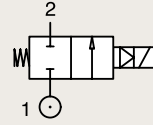
2/2

VALVES FOR ALL FLUIDS AND AIR MAGNALIFT



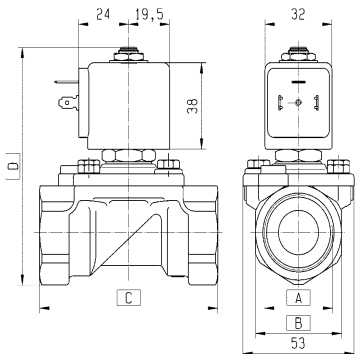
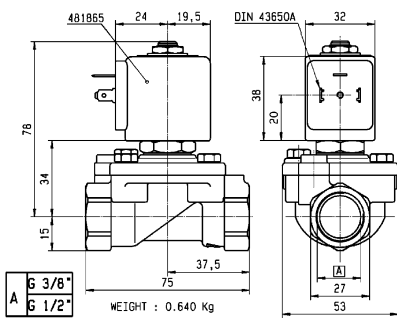
All Fluids & Air

BRASS PIPE MOUNTING NORMALLY CLOSED



Port size	Orifice Ø	Flow factors			Seat Seal	Atex Zone	Operating Pressure Differential		Fluid Temp.		Power	Voltage	Solenoid Valve Order Number	
		Kv l/min	KV m³/h	Qn l/min			Min bar	Max bar	Min °C	Max °C				W
3/8"	15	65	3.90	4500	NBR	2-22	0	16	-10	65	8	220-230V/50Hz	221G13-2995-4958703D	
							0	16	-10	80	8	230V/50Hz	221G13-495905F4	
1-21	0	16	-10	65			8	220-230V/50Hz	221G15-2995-4958703D					
	0	16	-10	80			8	230V/50Hz	221G15-495905F4					
1/2"	15	65	3.90	4500		FKM	2-22	0	10	-10	65	9	24 Vdc	221G1530-2995-495870C2
								0	10	-10	80	8	24 Vdc	221G1530-495905C2
							1-21	0	16	0	65	8	220-230V/50Hz	221G25-2995-4958703D
								0	16	0	80	8	230V/50Hz	221G25-495905F4
					2-22		0	10	-10	65	9	24 Vdc	221G2530-2995-495870C2	
							0	10	-10	80	8	24 Vdc	221G2530-495905C2	
3/4"	15.00	80	4.80	6000	FKM		2-22	0	16	-10	65	8	220-230V/50Hz	221G16-2995-4958703D
								0	16	-10	80	8	230V/50Hz	221G16-495905F4
						1-21	0	16	0	65	8	220-230V/50Hz	221G26-2995-4958703D	
							0	16	0	80	8	230V/50Hz	221G26-495905F4	
1"	25.00	170	10.20	14000	NBR	2-22	0	16	-10	65	8	220-230V/50Hz	221G17-2995-4958703D	
							0	16	-10	80	8	230V/50Hz	221G17-495905F4	
						1-21	0	16	-10	65	8	220-230V/50Hz	221G21-2995-4958703D	
							0	16	-10	80	8	230V/50Hz	221G21-495905F4	
						2-22	0	10	-25	40	9	24 Vdc	221G2130-2995-495870C2	
							0	10	-25	40	8	24 Vdc	221G2130-495905C2	

ATEX



	A	B	C	D
G 3/4"	35	80	95,5	
G 1"	41	85	102,5	



ARA®

PNEUMATIK

53-012 Wrocław tel. 71 364 72 82
ul. Wyścigowa 38 fax 71 364 72 83

www.arapneumatik.pl

