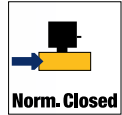


# 2/2

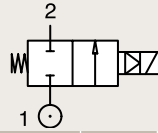
## VALVES FOR ALL FLUIDS AND AIR MAGNALIFT



All Fluids & Air

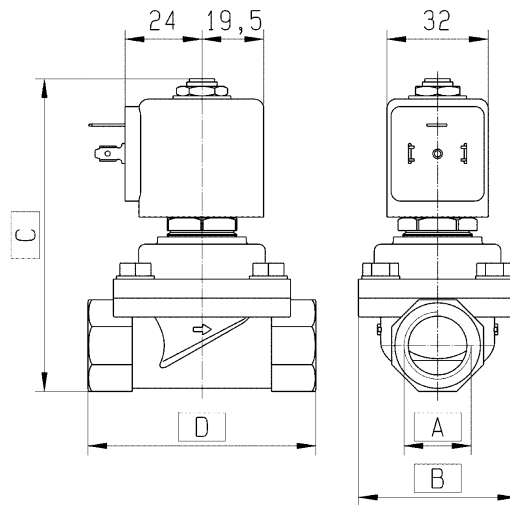
316L STAINLESS ST.  
PIPE MOUNTING

**NORMALLY CLOSED**



Port size	Orifice Ø	Flow factors			Seat Seal	Atex Zone	Operating Pressure Differential		Fluid Temp.		Power	Voltage	Solenoid Valve Order Number
		Kv l/min	KV m³/h	Qn l/min			Min bar	Max bar	Min °C	Max °C			
3/8"	15	40	2.40	-	FKM	-	0	10	-10	85	8	220-230V/50Hz	221S10F-2995-4818653D
1/2"		50	3.00				0	10	-10	85	8	220-230V/50Hz	221S15F-2995-4818653D
3/4"	24	95	5.70				0	10	-10	85	8	220-230V/50Hz	221S20F-2995-4818653D
1"		105	6.30				0	10	-10	85	8	220-230V/50Hz	221S25F-2995-4818653D

Fast Delivery



	A	B	C	D
G 3/8"	50	100	72	
G 1/2"	50	100	72	
G 3/4"	61	117	72	
G 1"	61	117	83	

# ARA<sup>®</sup>

## PNEUMATIK

53-012 Wrocław tel. 71 364 72 82  
ul. Wyścigowa 38 fax 71 364 72 83

[www.arapneumatik.pl](http://www.arapneumatik.pl)

