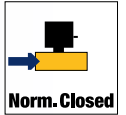
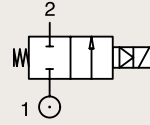


2/2

VALVES FOR ALL FLUIDS AND AIR MAGNALIFT



BRASS PIPE MOUNTING NORMALLY CLOSED

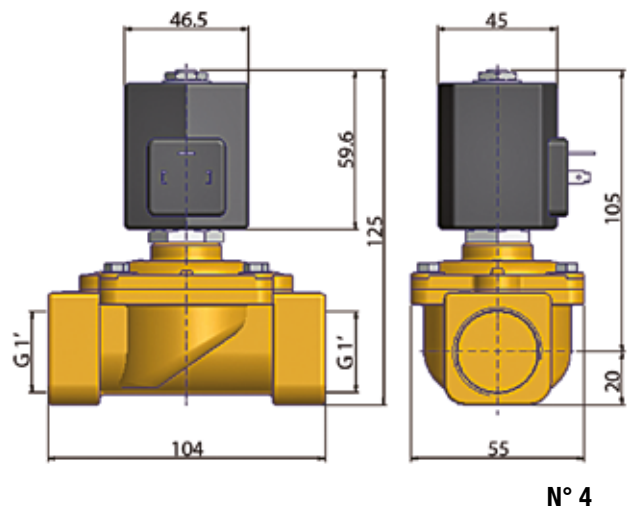
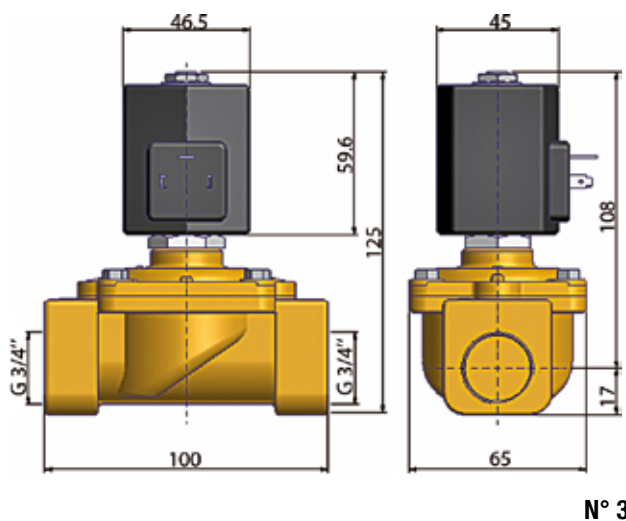
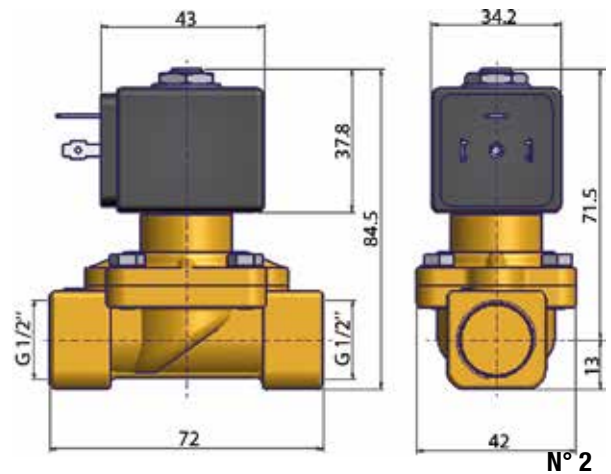
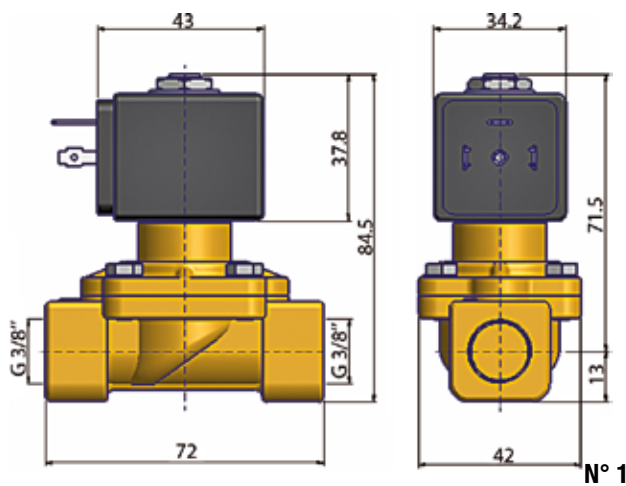


Port size	Orifice Ø	Flow factors			Seat Seal	Atex Zone	Operating Pressure Differential		Fluid Temp.		Power	Voltage	Solenoid Valve Order Number
		Kv l/min	KV m³/h	Qn l/min			Min bar	Max bar	Min °C	Max °C			
3/8"	13	40	2.40	-	FKM	-	0	5	-10	140	9	230V/50-60Hz	550066DIS ₁
1/2"	20	100	6.00	-			0	5	-10	140	9	230V/50-60Hz	550064DIS ₂
3/4"	25	117	7.00	-			0	3	-10	140	14	230V/50-60Hz	550065DIS ₃
1"	32	140	8.50	-			0	3	-10	140	14	230V/50-60Hz	550071DIS ₄

Notes:

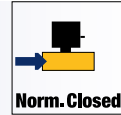
1. Drawing number 1
2. Drawing number 2
3. Drawing number 3
4. Drawing number 4

Fast Delivery



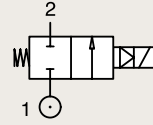
2/2

VALVES FOR ALL FLUIDS AND AIR MAGNALIFT



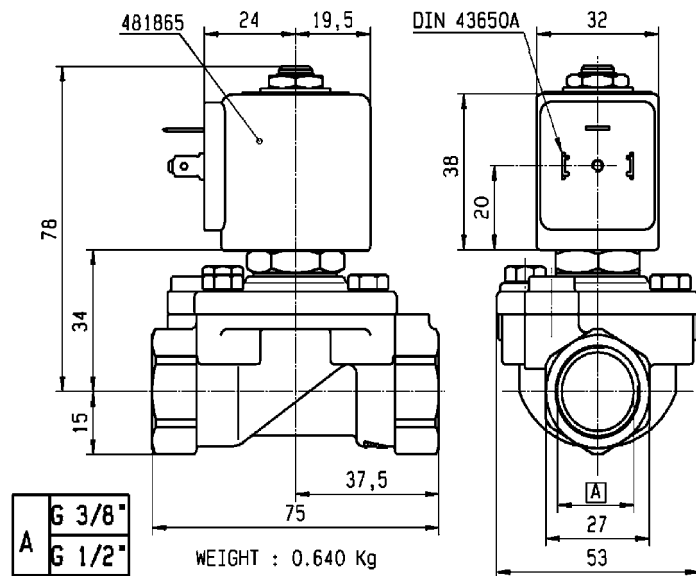
All Fluids & Air

BRASS PIPE MOUNTING NORMALLY CLOSED



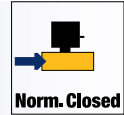
Port size BSP	Orifice Ø mm	Flow factors			Seat Seal	Atex Zone	Operating Pressure Differential		Fluid Temp.		Power W	Voltage	Solenoid Valve Order Number	
		Kv l/min	KV m³/h	Qn l/min			Min bar	Max bar	Min °C	Max °C				
3/8"	15	65	3.90	4500	NBR	-	0	16	-10	100	8	220-230V/50Hz	221G13-2995-4818653D	
							0	6	-10	100	14	24 Vdc	221G13-2995-492425C2	
						2-22	0	16	-10	65	8	220-230V/50Hz	221G13-2995-4958703D	
						1-21	0	16	-10	80	8	230V/50Hz	221G13-495905F4	
						2-22	0	16	-10	65	8	220-230V/50Hz	221G15-2995-4818653D	
						1-21	0	16	-10	80	8	230V/50Hz	221G15-2995-492425C2	
1/2"	15	65	3.90	4500		FKM	-	0	16	-10	100	8	220-230V/50Hz	221G1530-2995-4818653D
								0	6	-10	100	14	24 Vdc	221G1530-2995-492425C2
							2-22	0	16	-10	65	8	220-230V/50Hz	221G1530-2995-495870C2
							1-21	0	16	-10	80	8	24 Vdc	221G1530-495905C2
							2-22	0	16	0	65	8	220-230V/50Hz	221G25-2995-4818653D
							1-21	0	16	0	80	8	230V/50Hz	221G25-2995-4958703D
2-22	0	16	0	65	8		220-230V/50Hz	221G25-2995-4958703D						
1-21	0	16	0	80	8		230V/50Hz	221G25-495905F4						
2-22	0	10	-10	100	9		24 Vdc	221G2530-2995-481865C2						
1-21	0	10	-10	80	8		24 Vdc	221G2530-2995-495870C2						
1-21	0	10	-10	80	8		24 Vdc	221G2530-495905C2						

Fast Delivery

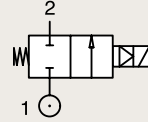


2/2

VALVES FOR ALL FLUIDS AND AIR MAGNALIFT

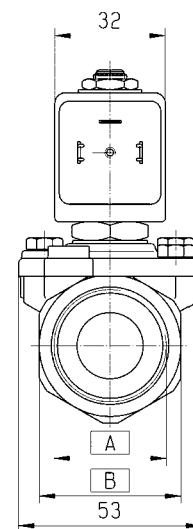
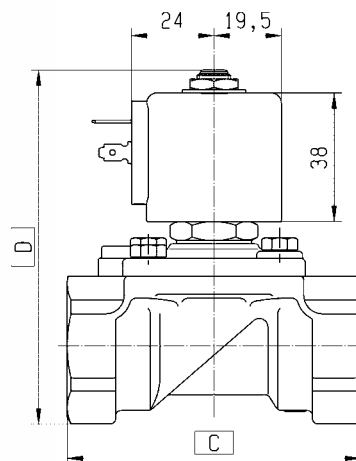


BRASS PIPE MOUNTING NORMALLY CLOSED



Port size	Orifice Ø	Flow factors			Seat Seal	Atex Zone	Operating Pressure Differential		Fluid Temp.		Power	Voltage	Solenoid Valve Order Number						
		Kv l/min	KV m³/h	Qn l/min			Min bar	Max bar	Min °C	Max °C				W					
3/4"	15.00	80	4.80	6000	NBR	-	0	16	-10	100	8	220-230V/50Hz	221G16-2995-4818653D						
						-	0	6	-10	100	14	24 Vdc	221G16-2995-492425C2						
						2-22	0	16	-10	65	8	220-230V/50Hz	221G16-2995-4958703D						
						1-21	0	16	-10	80	8	230V/50Hz	221G16-495905F4						
						-	0	16	0	100	8	220-230V/50Hz	221G16-2995-4818653D						
						-	0	5	0	100	14	24 Vdc	221G26-2995-492425C2						
					FKM	2-22	0	16	0	65	8	220-230V/50Hz	221G26-2995-4958703D						
						1-21	0	16	0	80	8	230V/50Hz	221G26-495905F4						
						1"	25.00	170	10.20	14000	NBR	-	0	16	-10	100	8	220-230V/50Hz	221G17-2995-4818653D
												-	0	6	-10	100	14	24 Vdc	221G17-2995-492425C2
												2-22	0	16	-10	65	8	220-230V/50Hz	221G17-2995-4958703D
												1-21	0	16	-10	80	8	230V/50Hz	221G17-495905F4
-	0	16	-10	100	8							220-230V/50Hz	221G21-2995-4818653D						
-	0	6	-10	100	14							24 Vdc	221G21-2995-492425C2						
2-22	0	16	-10	65	8	220-230V/50Hz	221G21-2995-4958703D												
1-21	0	16	-10	80	8	230V/50Hz	221G21-495905F4												
-	0	10	-10	100	9	24 Vdc	221G2130-2995-481865C2												
2-22	0	10	-25	40	9	24 Vdc	221G2130-2995-495870C2												
1-21	0	10	-25	40	8	24 Vdc	221G2130-495905C2												

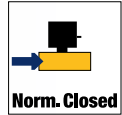
Fast Delivery



	A	B	C	D
G 3/4"	35	80	95,5	
G 1"	41	85	102,5	

2/2

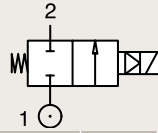
VALVES FOR ALL FLUIDS AND AIR MAGNALIFT



All Fluids & Air

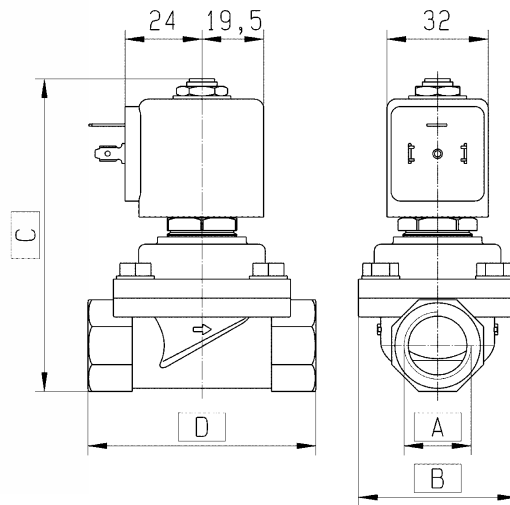
316L STAINLESS ST.
PIPE MOUNTING

NORMALLY CLOSED



Port size	Orifice Ø	Flow factors			Seat Seal	Atex Zone	Operating Pressure Differential		Fluid Temp.		Power	Voltage	Solenoid Valve Order Number
		Kv l/min	KV m³/h	Qn l/min			Min bar	Max bar	Min °C	Max °C			
3/8"	15	40	2.40	-	FKM	-	0	10	-10	85	8	220-230V/50Hz	221S10F-2995-4818653D
1/2"		50	3.00				0	10	-10	85	8	220-230V/50Hz	221S15F-2995-4818653D
3/4"	24	95	5.70				0	10	-10	85	8	220-230V/50Hz	221S20F-2995-4818653D
1"		105	6.30				0	10	-10	85	8	220-230V/50Hz	221S25F-2995-4818653D

Fast Delivery



	A	B	C	D
G 3/8"	50	100	72	
G 1/2"	50	100	72	
G 3/4"	61	117	72	
G 1"	61	117	83	

ARA[®]
PNEUMATIK

53-012 Wrocław tel. 71 364 72 82
ul. Wyścigowa 38 fax 71 364 72 83

www.arapneumatik.pl

