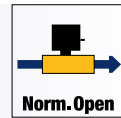


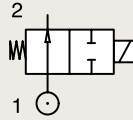
2/2

VALVES FOR ALL FLUIDS AND AIR DIRECT OPERATED



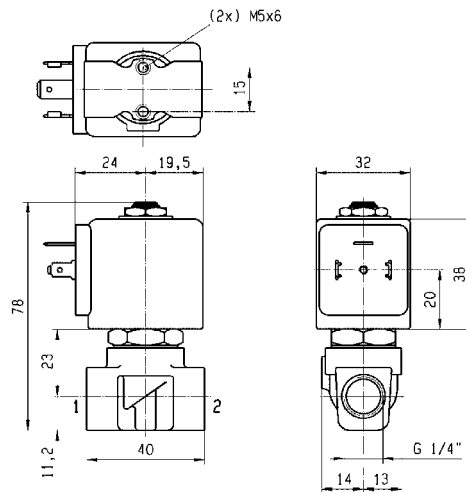
All Fluids & Air

BRASS PIPE MOUNTING NORMALLY OPEN



Port size	Orifice Ø	Flow factors			Seat Seal	Atex Zone	Operating Pressure Differential		Fluid Temp.		Power	Voltage	Solenoid Valve Order Number	
		Kv l/min	KV m³/h	Qn l/min			Min bar	Max bar	Min °C	Max °C				W
1/4"	1.5	1.5	0.09	80	PCTFE	-	0	30	-10	100	8	220-230V/50Hz	122K84-2995-4818653D	
							0	30	-10	100	9	24 Vdc	122K84-2995-481865C2	
							0	12	-30	75	8	220-230V/50Hz	122K83-2995-4818653D	
	2.5	3	0.18	180			0	12	-30	75	9	24 Vdc	122K83-2995-481865C2	
							FKM	0	12	-10	100	8	220-230V/50Hz	122K8306-2995-4818653D
								0	12	-10	100	9	24 Vdc	122K8306-2995-481865C2

Fast Delivery



ARA[®]

PNEUMATIK

ul. Wyścigowa 38, 53-012 Wrocław
tel. 71 364 72 82, ara@arapneumatik.pl
www.arapneumatik.pl

