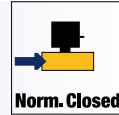
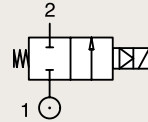


2/2

VALVES FOR ALL FLUIDS AND AIR PILOT OPERATED



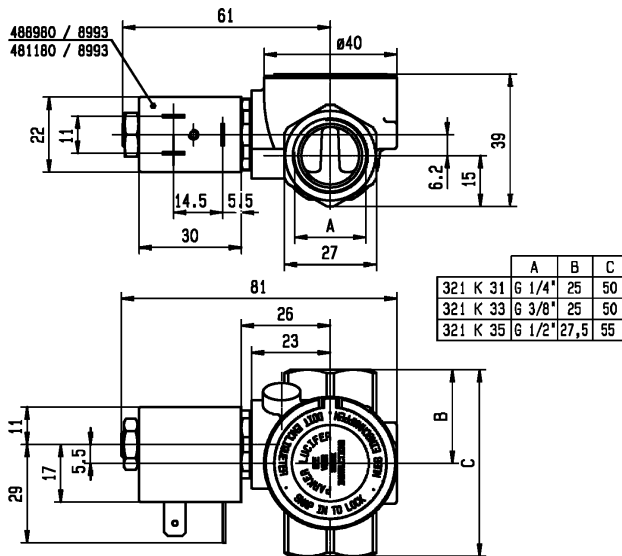
BRASS PIPE MOUNTING NORMALLY CLOSED



Port size BSP	Orifice Ø mm	Flow factors			Seat Seal	Atex Zone	Operating Pressure Differential		Fluid Temp.		Power W	Voltage	Solenoid Valve Order Number
		Kv l/min	KV m³/h	Qn l/min			Min bar	Max bar	Min °C	Max °C			
1/4"	12	30	1.80	2150	FKM	-	0.3	10	-10	75	2	220-230V/50Hz	321K3106-8993-4889803D
							0.3	7	-10	75	2.5	24 Vdc	321K3106-8993-488980C2
3/8"	12	45	2.70	3050	FKM	-	0.3	10	-10	75	2	220-230V/50Hz	321K3306-8993-4889803D
							0.3	7	-10	75	2.5	24 Vdc	321K3306-8993-488980C2
1/2"	12	50	3.00	3400	NBR	-	0.3	10	-10	75	2	220-230V/50Hz	321K35-8993-4889803D
							0.3	7	-10	75	2.5	24 Vdc	321K35-8993-488980C2
1/2"	12	50	3.00	3400	NBR	-	0.3	10	-10	75	2	220-230V/50Hz	321K3506-8993-4889803D
							0.3	7	-10	75	2.5	24 Vdc	321K3506-8993-488980C2

Notes:

1. Minimum pressure differential = 0.3 bar for opening and 0 bar for closing



ARA®

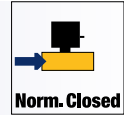
PNEUMATIK

ul. Wyścigowa 38, 53-012 Wrocław
tel. 71 364 72 82, ara@arapneumatik.pl
www.arapneumatik.pl

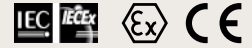
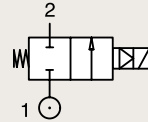


2/2

VALVES FOR ALL FLUIDS AND AIR PILOT OPERATED



BRASS
PIPE MOUNTING



NORMALLY CLOSED

Port size	Orifice Ø	Flow factors			Seat Seal	Atex Zone	Operating Pressure Differential		Fluid Temp.		Power	Voltage	Solenoid Valve Order Number
		Kv l/min	KV m³/h	Qn l/min			Min bar	Max bar	Min °C	Max °C			
3/4"	18	100	6.00	9400	NBR	-	0.3	10	-10	75	2	220-230V/50Hz	321K36-8993-4889803D
							0.3	7	-10	75	2.5	24 Vdc	321K36-8993-488980C2
							0.3	10	-10	75	2	220-230V/50Hz	321K3606-8993-4889803D
							0.3	7	-10	75	2.5	24 Vdc	321K3606-8993-488980C2
1"	18	110	6.60	10150	FKM	-	0.3	10	-10	75	2	220-230V/50Hz	321K37-8993-4889803D
							0.3	7	-10	75	2.5	24 Vdc	321K37-8993-488980C2
							0.3	10	-10	75	2	220-230V/50Hz	321K3706-8993-4889803D
							0.3	7	-10	75	2.5	24 Vdc	321K3706-8993-488980C2

