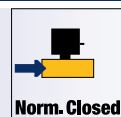


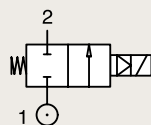
# 2/2

## VALVES FOR ALL FLUIDS AND AIR PILOT OPERATED



All Fluids & Air

### BRASS PIPE MOUNTING NORMALLY CLOSED

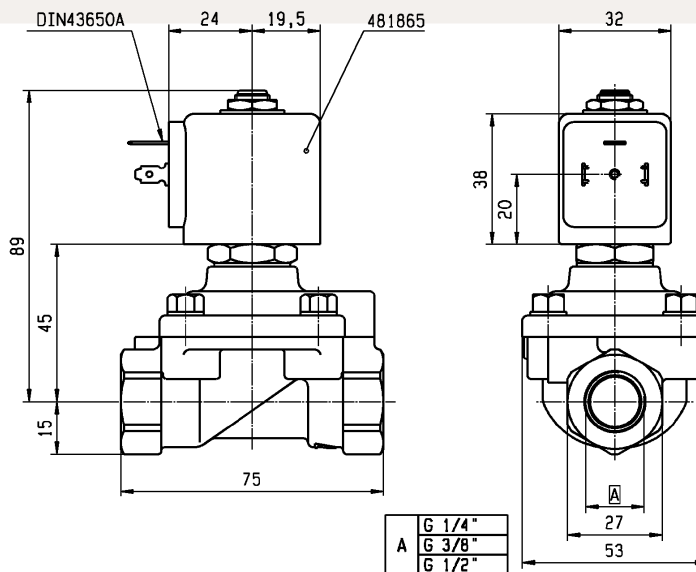


Port size BSP	Orifice Ø mm	Flow factors			Seat Seal	Atex Zone	Operating Pressure Differential		Fluid Temp.		Power W	Voltage	Solenoid Valve Order Number
		Kv l/min	KV m³/h	Qn l/min			Min bar	Max bar	Min °C	Max °C			
1/4"	8	36	2.16	1600	NBR	-	0.3	40	-10	100	8	220-230V/50Hz	E321H11-2995-4818653D <sup>123</sup>
							0.3	25	-10	100	9	24 Vdc	E321H11-2995-481865C2 <sup>123</sup>
3/8"	11	50	3.00	2800		-	0.3	40	-10	100	8	220-230V/50Hz	E321H13-2995-4818653D <sup>123</sup>
							0.3	25	-10	100	9	24 Vdc	E321H13-2995-481865C2 <sup>123</sup>
1/2"	15	60	3.60	3150		-	0.3	40	-10	100	8	220-230V/50Hz	E321H15-2995-4818653D <sup>123</sup>
							0.3	25	-10	100	9	24 Vdc	E321H15-2995-481865C2 <sup>123</sup>
					0.3		40	-10	100	14	24 Vdc	E321H15-2995-492425C2 <sup>123</sup>	

#### Notes:

- Pilot seat disc in synthetic Ruby
- With 4 position selector for controlled closure rate
- Minimum pressure differential = 0.3 bar for opening and 0 bar for closing

Fast Delivery



# ARA®

## PNEUMATIK

ul. Wyscigowa 38, 53-012 Wrocław  
tel. 71 364 72 82, ara@arapneumatik.pl

[www.arapneumatik.pl](http://www.arapneumatik.pl)

