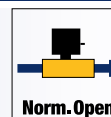


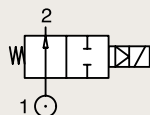
2/2

VALVES FOR ALL FLUIDS AND AIR PILOT OPERATED



All Fluids & Air

BRASS PIPE MOUNTING NORMALLY OPEN

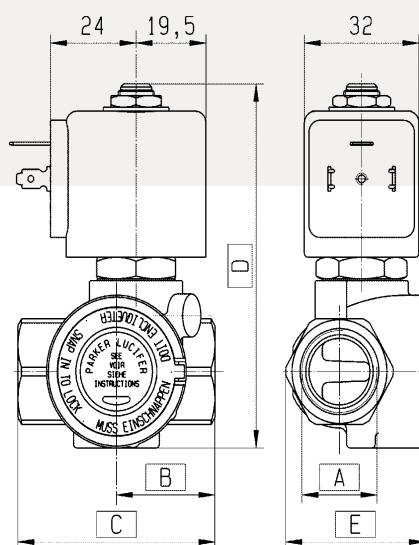


Port size BSP	Orifice Ø mm	Flow factors			Seat Seal	Atex Zone	Operating Pressure Differential		Fluid Temp.		Power W	Voltage	Solenoid Valve Order Number
		Kv l/min	KV m³/h	Qn l/min			Min bar	Max bar	Min °C	Max °C			
1/4"	12	32	1.92	2150	FKM	-	0.3	12	-10	100	8	220-230V/50Hz	322K4106-2995-4818653D
							0.3	12	-10	100	9	24 Vdc	322K4106-2995-481865C2
1/2"	50	3.00	3400	-		0.3	12	-10	100	8	220-230V/50Hz	322K4506-2995-4818653D	
						0.3	12	-10	100	9	24 Vdc	322K4506-2995-481865C2	
3/4"	18	100	6.00	9400		-	0.3	12	-10	120	8	220-230V/50Hz	322K4606-2995-4818653D
							0.3	12	-10	120	9	24 Vdc	322K4606-2995-481865C2

Notes:

1. Minimum pressure differential = 0.3 bar for opening and 0 bar for closing

Fast Delivery



	A	B	C	D	E
G 1/4"	25	50	93,5	39	
G 1/2"	27,5	55	93,5	39	
G 3/4"	40	80	109	47	

ARA®

PNEUMATIK

ul. Wyścigowa 38, 53-012 Wrocław
tel. 71 364 72 82, ara@arapneumatik.pl
www.arapneumatik.pl

