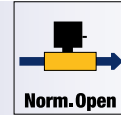


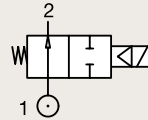
2/2

VALVES FOR ALL FLUIDS AND AIR PILOT OPERATED



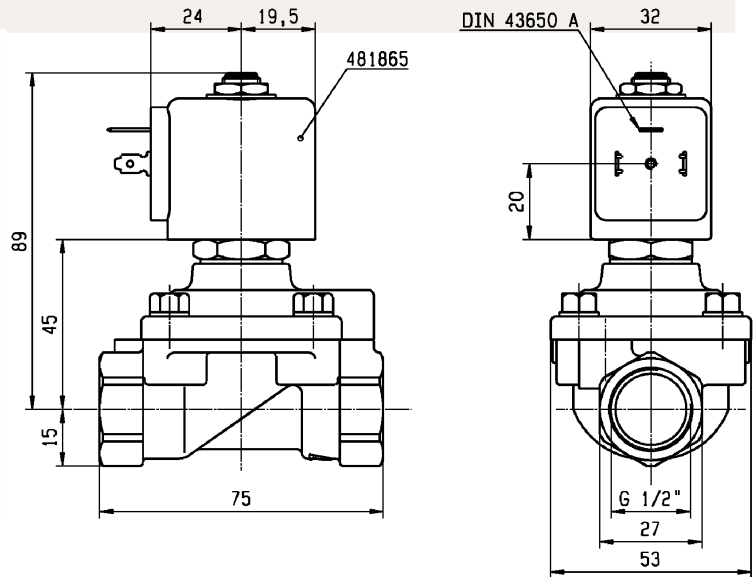
BRASS
PIPE MOUNTING

NORMALLY OPEN



Port size	Orifice Ø	Flow factors			Seat Seal	Atex Zone	Operating Pressure Differential		Fluid Temp.		Power	Voltage	Solenoid Valve Order Number
		Kv l/min	KV m³/h	Qn l/min			Min bar	Max bar	Min °C	Max °C			
BSP	mm												
1/2"	15	60	3.60	3890	NBR	-	0.3	40	-10	100	8	220-230V/50Hz	322H75-2995-4818653D
						-	0.3	40	-10	100	9	24 Vdc	322H75-2995-481865C2
					FKM	-	0.3	40	-10	100	8	220-230V/50Hz	322H7506-2995-4818653D
						-	0.3	40	-10	100	9	24 Vdc	322H7506-2995-481865C2

⚡ Fast Delivery



ARA®

PNEUMATIK

ul. Wyciągowa 38, 53-012 Wrocław
tel. 71 364 72 82, ara@arapneumatik.pl
www.arapneumatik.pl

