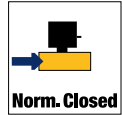


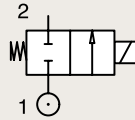
2/2

VALVES FOR HOT WATER AND STEAM DIRECT OPERATED



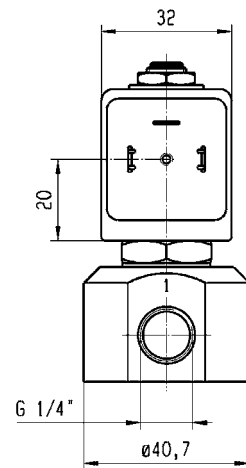
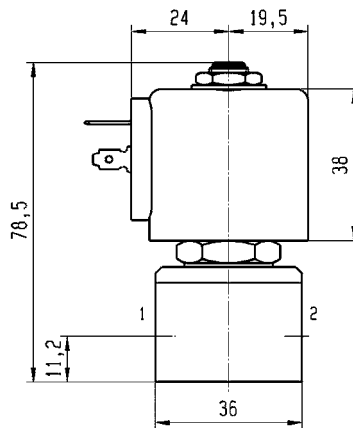
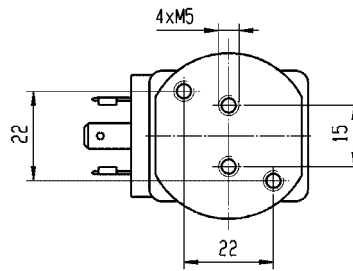
303 STAINLESS ST.
PIPE MOUNTING

NORMALLY CLOSED



Port size BSP	Orifice Ø mm	Flow factors			Seat Seal	Atex Zone	Operating Pressure Differential		Fluid Temp.		Power W	Voltage	Solenoid Valve Order Number
		Kv l/min	KV m³/h	Qn l/min			Min bar	Max bar	Min °C	Max °C			
1/4"	1.5	1.5	0.09	80	Ruby	-	0	60	0	100	8	220-230V/50Hz	121V5463-2995-4818653D
							0	25	0	140	9	24 Vdc	121V5463-2995-481865C2
	3	4.5	0.27	315			0	20	0	100	8	220-230V/50Hz	121V5363-2995-4818653D
							0	7	0	100	9	24 Vdc	121V5363-2995-481865C2
							5	10	0.60	750	0	8.5	0
0	2	0	100	9	24 Vdc	121V5163-2995-481865C2							

Fast Delivery



ARA®

PNEUMATIK

53-012 Wrocław tel. 71 364 72 82
ul. Wyścigowa 38 fax 71 364 72 83

www.arapneumatik.pl

