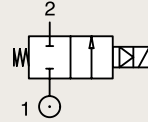


# 2/2

## VALVES FOR HOT WATER AND STEAM PILOT OPERATED



### BRASS PIPE MOUNTING NORMALLY CLOSED



Port size	Orifice Ø	Flow factors			Seat Seal	Atex Zone	Operating Pressure Differential		Fluid Temp.		Power W	Voltage	Solenoid Valve Order Number
		Kv l/min	KV m³/h	Qn l/min			Min bar	Max bar	Min °C	Max °C			
3/8"	10	22	1.32	-	PTFE	-	0.5	16	-30	160	9	230V/50-60Hz	550104DIS <sub>1</sub>
	16	78	4.70				0.5	10	-30	180	14	230V/50-60Hz	550077DIS <sub>2</sub>
1/2"	10	24	1.44				0.5	16	-30	160	9	230V/50-60Hz	550101DIS <sub>1</sub>
	16	78	4.70				0.5	10	-30	180	14	230V/50-60Hz	550072DIS <sub>2</sub>
3/4"	18	37	2.22				0.5	14	-30	160	9	230V/50-60Hz	550102DIS <sub>1</sub>
	27	193	11.60				0.5	10	-30	180	14	230V/50-60Hz	550074DIS <sub>2</sub>
							0.5	10	-30	180	16	24 Vdc	550073DIS <sub>2</sub>
1"	18	42	2.52				0.5	14	-30	160	9	230V/50-60Hz	550103DIS <sub>1</sub>
	27	193	11.60				0.5	10	-30	180	14	230V/50-60Hz	550076DIS <sub>2</sub>
							0.5	10	-30	180	16	24 Vdc	550075DIS <sub>2</sub>

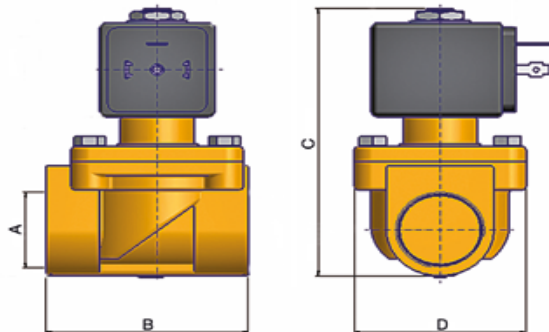
#### Notes:

- Drawing number 1
- Drawing number 2

Fast Delivery

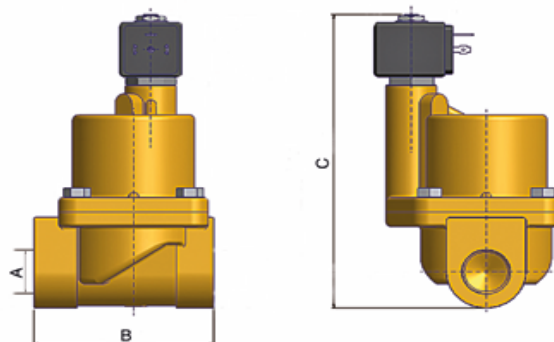
#### N° 1

A	B	C	D
G	mm	mm	mm
3/8"	48	85	40
1/2"	48	85	40
3/4"	48	85	40
1"	60	93.5	51



#### N° 2

A	B	C
G	mm	mm
3/8"	67	127
1/2"	67	127
3/4"	98.5	177
1"	98.5	177



# ARA®

PNEUMATIK

53-012 Wrocław tel. 71 364 72 82  
ul. Wyścigowa 38 fax 71 364 72 83

www.arapneumatik.pl

