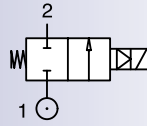


2/2

VALVES FOR WATER PILOT OPERATED

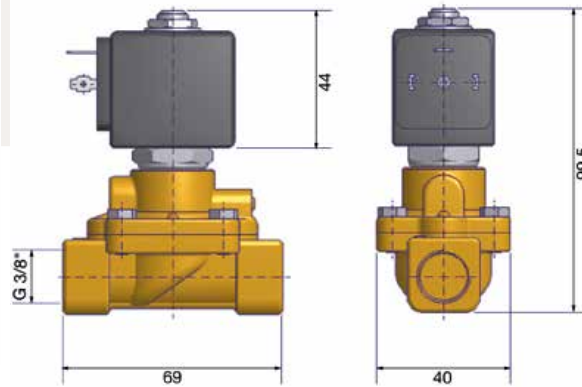
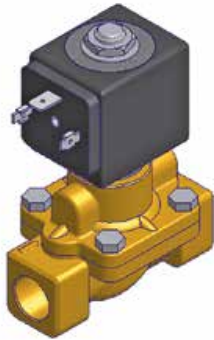


BRASS PIPE MOUNTING

NORMALLY CLOSED

Port size	Orifice Ø	Flow factors			Seat Seal	Atex Zone	Operating Pressure Differential		Fluid Temp.		Power	Voltage	Solenoid Valve Order Number
		Kv l/min	KV m³/h	Qn l/min			Min bar	Max bar	Min °C	Max °C			
3/8"	13	50	3.00	-	FKM	2-22	0.1	20	-10	50	8	220-230V/50Hz	550176DIS
							0.1	20	-10	50	9	24 Vdc	550175DIS
						1-21	0.1	20	-10	80	8	230V/50Hz	550136DIS
							0.1	20	-10	80	8	24 Vdc	550135DIS

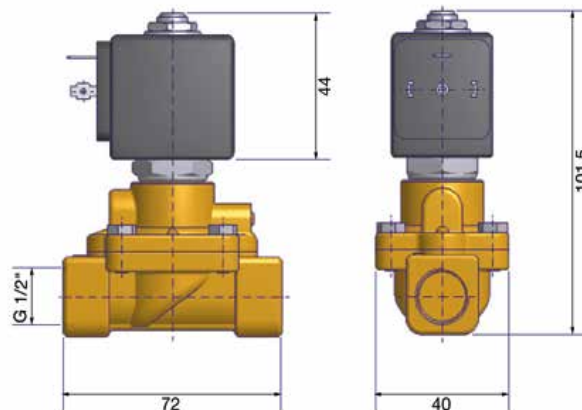
ATEX



NORMALLY CLOSED

Port size	Orifice Ø	Flow factors			Seat Seal	Atex Zone	Operating Pressure Differential		Fluid Temp.		Power	Voltage	Solenoid Valve Order Number
		Kv l/min	KV m³/h	Qn l/min			Min bar	Max bar	Min °C	Max °C			
1/2"	13	50	3.00	-	FKM	2-22	0.1	20	-10	50	8	220-230V/50Hz	550160DIS
							0.1	20	-10	50	9	24 Vdc	550159DIS
						1-21	0.1	20	-10	80	8	230V/50Hz	550120DIS
							0.1	20	-10	80	8	24 Vdc	550119DIS

ATEX



ARA®

PNEUMATIK

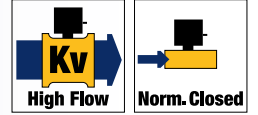
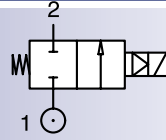
53-012 Wrocław tel. 71 364 72 82
ul. Wyścigowa 38 fax 71 364 72 83

www.arapneumatik.pl



2/2

VALVES FOR WATER PILOT OPERATED



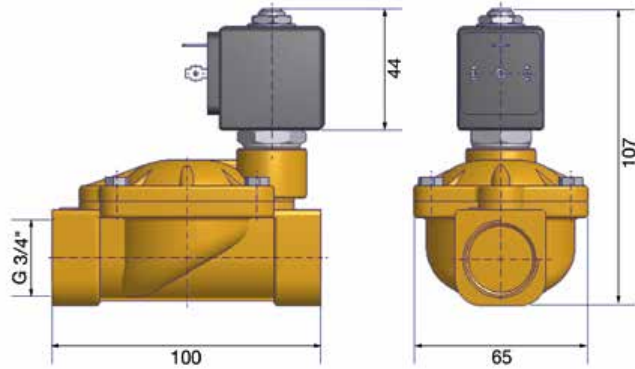
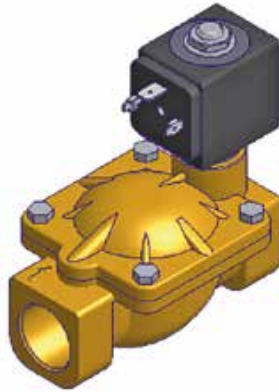
Solenoid Valve Order Number

BRASS PIPE MOUNTING

NORMALLY CLOSED

Port size	Orifice Ø	Flow factors		Seat Seal	Atex Zone	Operating Pressure Differential		Fluid Temp.		Power	Voltage	Solenoid Valve Order Number
		Kv l/min	KV m³/h			Min bar	Max bar	Min °C	Max °C			
3/4"	20	140	8.40	FKM	2-22	0.1	20	-10	65	8	220-230V/50Hz	550212DIS
						0.1	20	-10	65	9	24 Vdc	550211DIS
						0.1	20	-10	80	8	230V/50Hz	550202DIS
						0.1	20	-10	80	8	24 Vdc	550201DIS

ATEX



NORMALLY CLOSED

Port size	Orifice Ø	Flow factors			Seat Seal	Atex Zone	Operating Pressure Differential		Fluid Temp.		Power	Voltage	Solenoid Valve Order Number
		Kv l/min	KV m³/h	Qn l/min			Min bar	Max bar	Min °C	Max °C			
1"	25	160	9.60	-	FKM	2-22	0.1	20	-10	50	8	220-230V/50Hz	550214DIS
							0.1	20	-10	50	9	24 Vdc	550213DIS
							0.1	20	-10	80	8	230V/50Hz	550206DIS
							0.1	20	-10	80	8	24 Vdc	550205DIS

ATEX

