



aerospace
climate control
electromechanical
filtration
fluid & gas handling
hydraulics
pneumatics
process control
sealing & shielding



Parker Solutions for Table Top Sterilizers

Solenoid Valves and Accessories



ENGINEERING YOUR SUCCESS.

DYSTRYBUTOR PARKER PREMIUM

ARA[®]
PNEUMATIK

| arapneumatik.pl

PARKER STORE WROCLAW
pneumatyka@arapneumatik.pl
TEL. 71 364 72 85

PARKER STORE KATOWICE
katowice@arapneumatik.pl
TEL. 32 779 76 40



Parker FCDE

Who we are?

The Fluid Control Division in Europe (FCDE) is a division of Parker Hannifin, the global leader in motion and control technologies.

FCDE core competences are the development and manufacturing of an extremely diverse range of fluid control products, including solenoid valves and pressure regulators.

Where we are?

Our European headquarters are located in Geneva, this is also where our R&D, Marketing, Application Support and Product Management functions are located.

FCDE Products are mainly manufactured at locations in Carouge (Geneva - Switzerland) and Gessate (Milan - Italy).

The Parker Sales Companies and comprehensive distribution network support you, wherever you are.

History

Parker FCDE has been a leading player in the manufacturing and development of solenoid valve technologies for over 60 years, with continuous research and development bringing innovative solutions to the marketplace, for example leading the way in the utilisation of synthetic ruby for critical water applications or the unsurpassed reliability and precision of our pressure regulators. The expertise accumulated and developed through the years is evident in the superior quality of FCDE solutions.

Markets

Our products and solutions are typically designed for markets including Industrial Equipment, Industrial Automation, Mobile, Transportation, Life Sciences, Beverage dispensing and for Fluid and Process Control.

Benefits

The modular concept of our products, having separate solenoid valves and electrical parts, provides the customer with increased flexibility by allowing numerous combinations. This additional flexibility can enable distributors to greater reduce valve inventory levels, whilst retaining the same number of capabilities. Parker also has unrivalled experience in developing customised product solutions complying with the highest technical, environmental, energy and service life requirements.



PARKER FCDE - GENEVA - SWITZERLAND



PARKER FCDE - MILAN - ITALY

Table of Content

Introduction and Markets04

Applications and Benefits05

2/2 Normally Closed Solenoid Valves06

2/2 Normally Open Solenoid Valves07

3/2 Universal Solenoid Valves.....08

Coils and Accessories.....09

How to Order a Complete Solenoid Valve.....10

Other Parker Products for Sterilizers11

Parker’s Motion & Control Technologies.....15

Parker Worldwide.....16



WARNING - USER RESPONSIBILITY
FAILURE OR IMPROPER SELECTION OR IMPROPER USE OF THE PRODUCTS DESCRIBED HEREIN OR RELATED ITEMS CAN CAUSE DEATH, PERSONAL INJURY AND PROPERTY DAMAGE.

- This document and other information from Parker-Hannifin Corporation, its subsidiaries and authorized distributors provide product or system options for further investigation by users having technical expertise.
- The user, through its own analysis and testing, is solely responsible for making the final selection of the system and components and assuring that all performance, endurance, maintenance, safety and warning requirements of the application are met. The user must analyze all aspects of the application, follow applicable industry standards, and follow the information concerning the product in the current product catalog and in any other materials provided from Parker or its subsidiaries or authorized distributors.
- To the extent that Parker or its subsidiaries or authorized distributors provide component or system options based upon data or specifications provided by the user, the user is responsible for determining that such data and specifications are suitable and sufficient for all applications and reasonably foreseeable uses of the components or systems.

Introduction

Parker Hannifin, the global leader in motion and control technologies, is your ideal partner offering a wide range of solutions for Sterilization.

A wide product offering with high quality standards is available, including Solenoid Valves, Pipes, Fittings and Filters.

Each product has been developed by our engineers taking care of answering with exclusive benefits to the functional needs.



Sterilisation Market

- Table top Medical sterilizers
- Dental sterilizers
- Medium capacity autoclaves (vessel up to 60l)
- B class sterilizers



Applications and Benefits

Applications

Sterilisation in dental, medical and veterinary studies is a key process to ensure the cleanliness of the tools which will be used by the doctor with the patient.

This process is regulated by precise norms, including EN13060.

Sterilisation process is made by specific equipment controlling water, demineralized water, air, steam and vacuum in order to ensure the right cleaning conditions of the tools.

Parker, the global leader in motion and control technologies, can provide you with a wide range of components for sterilizers, each of them with exclusive benefit.



Benefits

Our engineers have developed a wide product offering for the sterilizer market taking into consideration of the most critical aspects of the application, like steam resistance, vacuum resistance, life targets, application temperature.

All the products listed in this catalogue have been developed to ensure:

- Strong and reliable design given by proper selection of the materials and oversizing of the areas under mechanical stress,
- Right materials to ensure long life in contact with selected media,
- Vacuum resistant solutions,
- Wide range of configurations.
- Products are IMQ,RoHS,CE approved and possibly UL,VDE,NSF depending on reference.

Solenoid Valves Program

2/2 Normally Closed Solenoid Valves



Parker product portfolio includes 1/4" port size valves with different flow rates. The smooth design ensures good performances, optimization of flow rate, and excellent vacuum resistance during life.

A wide range of high temperature resistant H class coils with several voltages are available. FKM is the selected sealing compound giving the best performances when additives and cleaners are present in the circuit.

Typical application:

- **Filling:** Water loading of the steam generator and pump shut off line
- **Filling:** Steam loading of the sterilization vessel and vacuum holding
- **Emptying:** Exhaust of the sterilization vessel

Fluids: Superheated water, Steam, cold water, air, vacuum

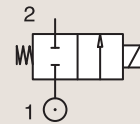
Nozzle: Stainless steel

Valve Body: Moulded brass, CW617N UNI EN 12165:98

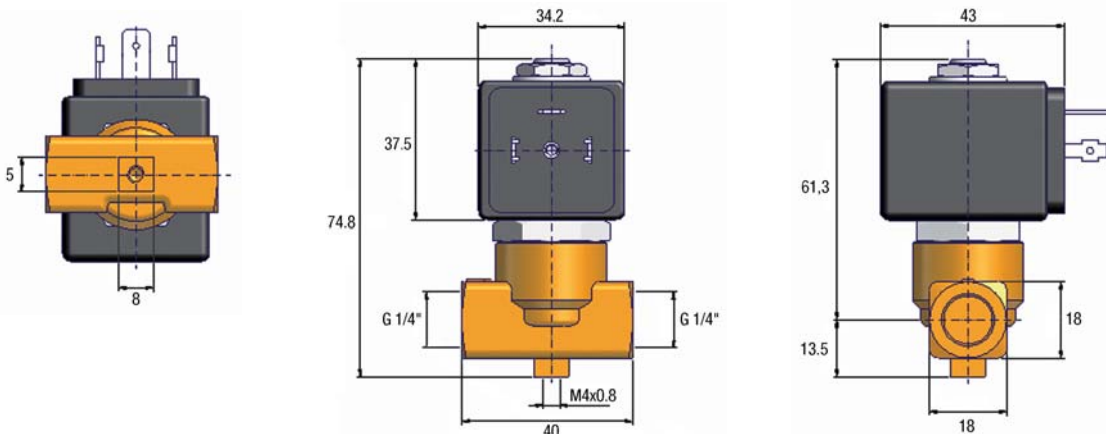
Sleeve and plungers: Stainless Steel

Seals: FKM

Port Size	Orifice Ø	Flow Factors		Admissible Differential Pressure Bar			Fluid Temp.		Seat Seal	Valve Order Number	Valve Type	Coil Type	Power (cold)		Dwg. No.	
				Min	Max (MOPD)		Vacuum*	Min					Max	AC W		DC W
					AC bar	DC bar										
1/4"	2.5	0.17	2.83	0	20	-	950	-10	140	FKM	395448	126CV	ZH14 24/50-60	14	-	1
	2.5	0.17	2.83	0	20	-	950	-10	140	FKM	395450	126CV	ZH14 220-230/50-60	14	-	1
	2.5	0.17	2.83	0	20	-	950	-10	140	FKM	398264	126CV	ZH14 110-120/50-60	14	-	1
	2.5	0.17	2.83	0	-	15	950	-10	140	FKM	398265	126CV	ZH16 24DC	-	16	1
	3.5	0.33	5.50	0	15	-	950	-10	140	FKM	395452	126LV	ZH14 24/50-60	14	-	1
	3.5	0.33	5.50	0	15	-	950	-10	140	FKM	395454	126LV	ZH14 220-230/50-60	14	-	1
	3.5	0.33	5.50	0	15	-	950	-10	140	FKM	398266	126LV	ZH14 110-120/50-60	14	-	1
	3.5	0.33	5.50	0	-	10	950	-10	140	FKM	398267	126LV	ZH16 24DC	-	16	1
	4.0	0.40	6.66	0	10	-	950	-10	140	FKM	398268	126JV.5	ZH14 24/50-60	14	-	1
	4.0	0.40	6.66	0	10	-	950	-10	140	FKM	397156	126JV.5	ZH14 220-230/50-60	14	-	1
	4.0	0.40	6.66	0	10	-	950	-10	140	FKM	398269	126JV.5	ZH14 110-120/50-60	14	-	1
	4.0	0.40	6.66	0	-	6	950	-10	140	FKM	397154	126JV.5	ZH16 24DC	-	16	1
	4.5	0.55	9.16	0	8	-	950	-10	140	FKM	395456	126KV	ZH14 24/50-60	14	-	1
	4.5	0.55	9.16	0	8	-	950	-10	140	FKM	395458	126KV	ZH14 220-230/50-60	14	-	1
	4.5	0.55	9.16	0	8	-	950	-10	140	FKM	398270	126KV	ZH14 110-120/50-60	14	-	1
	4.5	0.55	9.16	0	-	3	950	-10	140	FKM	398271	126KV	ZH16 24DC	-	16	1



*Vacuum – working pressure given must be considered with vacuum applied at the outlet side of the valve (2) and no pressure applied simultaneously at the inlet side. We recommend to apply vacuum at the outlet side only.



All dimensions are in mm

Dimensional Drawing N° 1

Solenoid Valves Program

2/2 Normally Open Solenoid Valves



Parker product portfolio includes 1/4" port size normally open valves to balance internal vs external pressure and hold pressure during the sterilisation cycle.

The smooth design ensures good performances, optimization of flow rate, and excellent vacuum resistance during life, efficient speed when valve is working to release pressure during sterilization cycle, in order to keep the temperature constant inside sterilizer vessel.

FKM is the selected compound giving the best performances when additives and cleaners are present in the circuit.

Fluids: Steam, air, vacuum

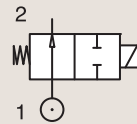
Nozzle: Stainless steel

Valve Body: Moulded brass, CW617N UNI EN 12165:98

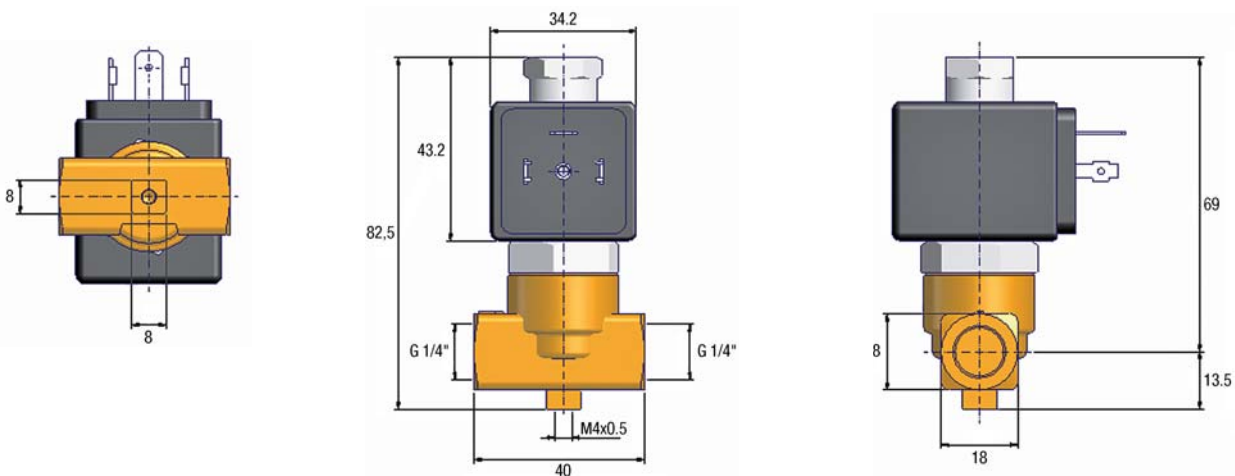
Sleeve and plungers: Stainless Steel

Seals: FKM

BRASS PIPE MOUNTING NORMALLY OPEN																
Port Size	Orifice Ø	Flow Factors		Admissible Differential Pressure Bar			Vacuum*	Fluid Temp.		Seat Seal	Valve Order Number	Valve Type	Coil Type	Power (cold)		Dwg. No.
		KV m³/h	KV l/min	Min bar	Max (MOPD) AC bar	DC bar		Min °C	Max °C					AC W	DC W	
1/4"	2.5	0.18	3	0	7	-	950	-10	140	FKM	398257	136.2FV	ZH14 24/50-60	14	-	2
	2.5	0.18	3	0	7	-	950	-10	140	FKM	397177	136.2FV	ZH14 220-230/50-60	14	-	2
	2.5	0.18	3	0	7	-	950	-10	140	FKM	398258	136.2FV	ZH14 110-120/50-60	14	-	2
	2.5	0.18	3	0	-	7	950	-10	140	FKM	398259	136.2FV	ZH16 24DC	-	16	2
	3.0	0.24	4	0	5.5	-	950	-10	140	FKM	398260	136.2YV	ZH14 24/50-60	14	-	2
	3.0	0.24	4	0	5.5	-	950	-10	140	FKM	398261	136.2YV	ZH14 220-230/50-60	14	-	2
	3.0	0.24	4	0	5.5	-	950	-10	140	FKM	398262	136.2YV	ZH14 110-120/50-60	14	-	2
	3.0	0.24	4	0	-	5.5	950	-10	140	FKM	398263	136.2YV	ZH16 24DC	-	16	2



*Vacuum – working pressure given must be considered with vacuum applied at the outlet side of the valve (2) and no pressure applied simultaneously at the inlet side. We recommend to apply vacuum at the outlet side only.



All dimensions are in mm

Dimensional Drawing N° 2

Solenoid Valves Program

3/2 Universal Solenoid Valves



139.2YV and 139.2LV.1 are the right products to ensure the diverting/mixing function before the vacuum pump. The 3.0 bar hold pressure ensures the valve to stay closed when sterilization cycle is running. The smooth design ensures good performances, optimization of flow rate, and excellent vacuum resistance during life.

A wide range of electrical part includes several voltage and high temperature resistant H class coils.

FKM is the selected sealing compound giving the best performances when additives and cleaners are present in the circuit.

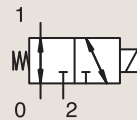
Fluids: Superheated water, Steam, cold water, air, vacuum

Seals: FKM

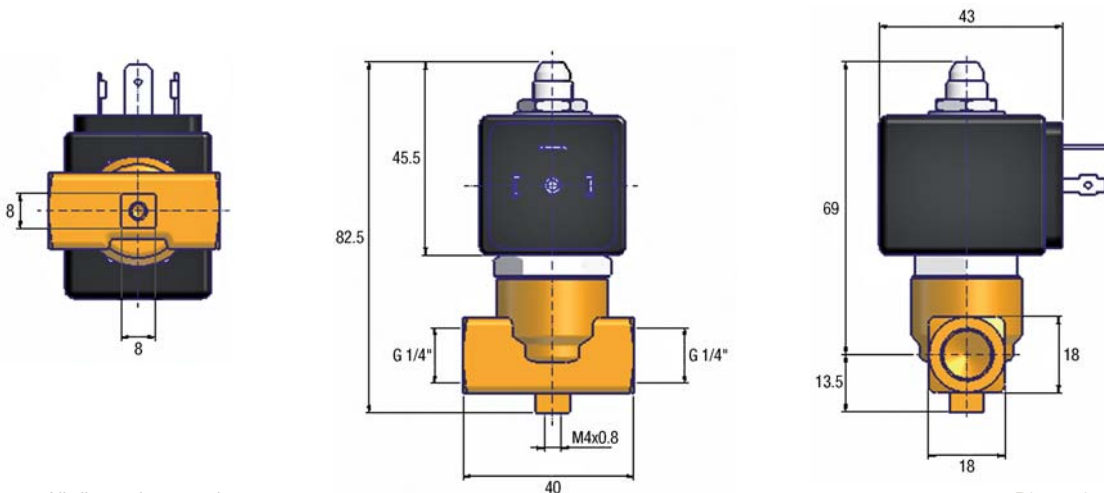
Valve Body: Moulded brass, CW617N UNI EN 12165:98

Nozzle: Stainless steel

BRASS PIPE MOUNTING UNIVERSAL																
Port Size	Orifice Ø	Flow Factors		Admissible Differential Pressure Bar			Vacuum*	Fluid Temp.		Seat Seal	Valve Order Number	Valve Type	Coil Type	Power (cold)		Dwg. No.
		KV m ³ /h	KV l/min	Min bar	Max (MOPD) AC bar	DC bar		Min °C	Max °C					AC W	DC W	
1/4"	3.0	0.18	3	0	3	-	950	-10	140	FKM	398250	139.2YV	ZH14 24/50-60	14	-	3
	3.0	0.18	3	0	3	-	950	-10	140	FKM	398251	139.2YV	ZH14 220-230/50-60	14	-	3
	3.0	0.18	3	0	3	-	950	-10	140	FKM	398252	139.2YV	ZH14 110-120/50-60	14	-	3
	3.0	0.18	3	0	-	3	950	-10	140	FKM	398253	139.2YV	ZH16 24DC	-	16	3
	3.5	0.18	3	0	1	-	950	-10	140	FKM	398254	139.2LV.1	ZH14 24/50-60	14	-	3
	3.5	0.18	3	0	1	-	950	-10	140	FKM	397179	139.2LV.1	ZH14 220-230/50-60	14	-	3
	3.5	0.18	3	0	1	-	950	-10	140	FKM	398255	139.2LV.1	ZH14 110-120/50-60	14	-	3
	3.5	0.18	3	0	-	1	950	-10	140	FKM	398256	139.2LV.1	ZH16 24DC	-	16	3



*Vacuum – working pressure given must be considered with vacuum applied at the outlet side of the valve (2) and no pressure applied simultaneously at the inlet side. We recommend to apply vacuum at the outlet side only.



All dimensions are in mm

Dimensional Drawing N° 3

Coils and Accessories

ZH Series - Standard Coil Bi-Frequency H Class, IP65

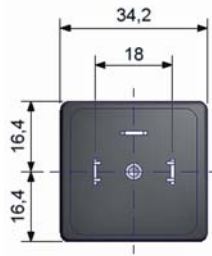
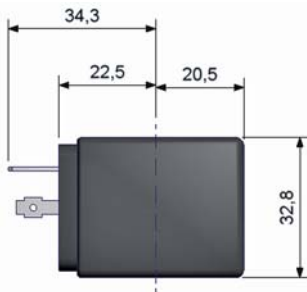


These coils can be mounted with every Parker solenoid valves corresponding to the specified Coil Group. Coil manufactured with H Class copper wire, moulded in thermoplastic material polyester with 30% glass fiber.

IP65 protection rate with EN 175301-803:2006-A. Three pin connector. This coil conforms to the IEC/ CENELEC safety standards and complies with European low-voltage directive. DIN plug connector to be ordered separately (see coil accessories section).

Specification		High Temperature + High Power			
Ref. (without DIN plug)		ZH14/ZH16			
Coil Group		20.2			
Degree of protection		IP65 according to IEC / EN 60529 standards (with DIN plug and gasket)			
Class of insulation		H 180°C			
Electrical connection		The coil is connected with a 2 P + E plug according to EN 175301-803 - A			
Ambient temperature		ZH14/ZH16 -10°C to +80°C - The application is limited also by the temperature range of the valve.			
Elect. Power	DC	P (cold) 20°C	16 W		
	AC	P (cold) 20°C	14 W		
		Attraction cold	33 VA		
Weight		130 g (without plug)			
Voltages "Un"		VAC/Hz	Order Number	VDC	Order Number
-10% to +10% of Un for AC - 5 % to + 10 % for Un DC		ZH14 24/50-60 ZH14 115/50-60 ZH14 230/50-60 ZH14 100/50-60 ZH14 200/50-60	304100 304102 304104 304121 304108	ZH16 24DC ZH16 12DC	304112 304110

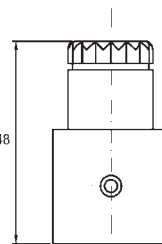
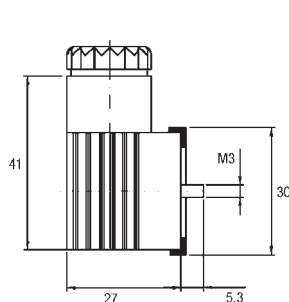
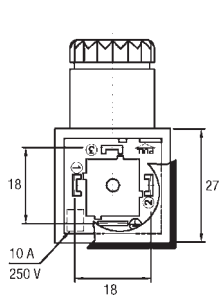
To Order a Coil: Use 6 digits ordering number - **Code Example:** ZH16 for 24VDC = 304112
More voltage possibilities can be found in the table of voltage codes at the end of the coil section.



ACCESSORIES: ELECTRICAL CONNECTORS

- 2 P + E DIN 43650A Plug

Max A	Cable Section	Nominal Voltage	Reference	Dimensional Drawing
16 A	6-10 mm ²	250/300 V	600003PLUG	5



All dimensions are in mm

Dimensional Drawing N° 5

How to Order a Complete Solenoid Valve

A complete solenoid valve is composed by 2 elements: the **valve** and the **coil**.

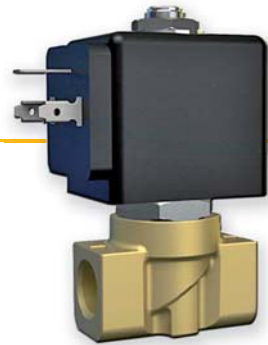
All the parts listed in this catalogue are supplied with the standard housing assembled.

Therefore your selection process is easier: you have to choose the valve with corresponding coil at a given voltage from page 6 to 8 and use the 6 digit number to order the complete solenoid valve.

Step 1

Select the pressure vessel reference needed on pages 6-8.

Standard Pressure	Fluid Temp.		Seat Seal	Valve Order Number	Valve Type	Coil Type	Power (coil)
	Min	Max					
950	-10	140		395448	126CV	ZH14 24/50-60	16
950	-10	140	FKM	395450	126CV	ZH14 220-230/50-60	16
950	-10	140	FKM	398264	126CV	ZH14 110-120/50-60	16
950	-10	140	FKM	398265	126CV	ZH16 24DC	16
950	-10	140	FKM	395452	126LV	ZH14 24/50-60	16
950	-10	140	FKM	395454	126LV	ZH14 220-230/50-60	16
950	-10	140	FKM	398266	126LV	ZH14 110-120/50-60	16



Step 2

Select accessories at page 9 (optional)



Ordering a product or a configuration not listed in the catalogue.

When an application demands a combination of features not listed in the catalogue, please feel free to contact the closest Parker office.

Parker personnel will assist in determining the applicability, availability and price of the new product.

Other Parker Products for Sterilizers

Quick Connect Couplings

BT Series - Nominal Diameter: 7 mm

Technical Description:

The BT series coupling system has been developed for use in medical, biotechnology, pharmaceutical and laboratory applications and uses only medical grade materials. The main components are molded in a clean room from virgin transparent USP Class VI polysulfone (PSU). The seals are made from platinum cured silicone. The locking pins are stainless steel. Only available as straight-through version.



Advantages:

Single handed operation. Audible click to indicate a secure connection. Transparent components allow visual control of the flow path. Completely smooth flow path without any dead spaces prevents cross-contamination. Ergonomic sleeve for easy operation with gloves.

Working Pressure:

- **PB** = 0 bar up to 4.5 bar
- **Maximum Static Working Pressure** with safety factor of 4 to 1

Working Temperature:

- -20°C up to +148°C

Other Parker Products for Sterilizers

Quick Connect Couplings

Series 20 - Nominal Diameter: 2.7 = 6 mm²

Series 21 - Nominal Diameter: 5 = 20 mm²

Technical Description:

Mini industrial coupling, internationally used profile.
Notable for a high flow and numerous application options with various media.
Frequent use in minipneumatics, medical technology and chemistry/pharmacy.

Advantages:

Single handed operation. Small dimensions.

Working Pressure:

- **PB** = 35 bar
- **Maximum Static Working Pressure**
with safety factor of 4 to 1

Working Temperature* :

- -15°C up to +200°C (FKM)
depending on the medium.

* At a temperature below -15°C and above +200°C special seals are available on request.

For more information on Quick Connect Couplings, please contact:

Parker Hannifin Manufacturing Germany GmbH & Co. KG

Quick Coupling Division Europe - Daimlerstraße 7 - 71735 EBERDINGEN - Germany

Phone: +49 7042 100 0 - Fax: +49 7042 100 147 - info.rectus@parker.com - www.rectus.de



Instant Fitting

LIQUIfit™

Leak-free instant fittings in a 100% bio-based compact body. LIQUIfit™ offers optimum performance suitable for contact with water, beverages and food, as well as being the most compact profile on the market. The many advantages of this range include EPDM patented sealing technology, full flow, no pumping effect and minimized internal retention.

Technical Specifications

Working Pressure:

from -0.9 to 16 bar
(depending on the product type)

Working Temperature:

-10°C to +95°C
(depending on the product type)

Material Specifications

Body and threads: bio-based material

Gripping ring: stainless steel

Thread sealant: PTFE

'D' ring: EPDM



Ø4 - Ø12 mm
Ø5/32 - Ø1/2 inch



NSF 61
- C-HOT -

For more information see catalogue CAT/0598.

Instant Fittings

LF 3600 Nickel-Plated Brass

The LF 3600 fittings range, a range of extremely robust fittings. Resisting temperatures of up to 150°C, and functioning at 99% vacuum at as high as 30 bar, the LF 3600 is the one and only brass instant fitting on the market capable of such a performance.

Technical Specifications

Working Pressure:

from 0.9 to 30 bar
(limited to 20 bar for compact swivel elbows 3699, 3609)

Working Temperature:

-20°C to +150°C

Material Specifications

Body/Collet/Washer/Sub-base:

high phosphorus chemical nickel-plated brass

'O' ring: FKM fluoroelastomer

NSF H1 grease



For more information see catalogue BUL/0525.

LF 3900/LF 3800

LF 3900: a range of instant fittings in full 316L stainless steel, with FKM seals, for optimum resistance to aggressive environments. LF 3800: a range of instant fittings in 316L stainless steel with 303 (collet) and FKM seals, for elemental chemical resistance and competitive price positioning.

Technical Specifications

Working Pressure:

from 0.9 to 30 bar
(maxi 20 bar for 3979/3879 and 3989/3889)

Working Temperature:

-20°C to +150°C

Material Specifications

Body/Collet/Washer:

stainless steel 316L (LF 3900)

stainless steel 303 (LF 3800)

Sub-base: stainless steel 316L**'O' ring:** FKM

For more information see catalogue CAT/0598.

Universal Compression Fittings

Universal compression fittings are designed to solve all fluid distribution problems and provide a complete system of fittings suited to all types of tubing (copper and stainless steel) and valve assemblies thanks to the flexibility offered by the vast range of accessories: olives, sleeve nuts, reducers, tube adaptors.

Technical Specifications

Working Pressure: up to 150 bar
(depending on the product type)

Working Temperature: up to 150°C
(depending on the product type)

Material Specifications

Body/Olive*: brass or stainless steel

*Available in lead-free brass (<0.2%) upon request



For more information see catalogue CAT/0524.

Other Parker Products for Sterilizers

Tubing

Advanced PE

Made from high-grade polyethylene, "Advanced PE" tubing ensures the best balance between flexibility and pressure/temperature resistance. Resistant to a wide range of aggressive chemical agents. Complies with international regulations and certifications for food and drinking water and standard W270 regarding micro-organism growth on materials. Available in nine colours and eight diameters.



Technical Specifications

Working Pressure:

from -0.9 to 16 bar (depending on temperature and product type)

Working Temperature:

-15°C to +95°C



For more information see catalogue CAT/0598.

FEP

Parker Legris fluoropolymer tube (FEP) is food quality and provides excellent resistance to aggressive and corrosive agents and to high temperatures. It has a surface hardness of 55° shore D.



Technical Specifications

Working Pressure:

from -0.9 to 22 bar (depending on temperature and product type)

Working Temperature:

-40°C to +150°C



For more information see catalogue CAT/0524.

PFA

A Comprehensive Range of PFA Tubing for Perfect Adaptability

High purity grade PFA for our clear tubing to cover all applications. Standard grade PFA for our coloured tubing for circuit identification and special requests.

Extreme Versatility for All Technical Applications

A flexible alternative to stainless steel tubing. Broad range of working temperatures. Non-stick properties, chemically inert and lowest permeability for the conveyance of numerous fluids and gases. Outstanding resistance to ageing. Non-flammable and UV-transparent. Repeated flexing possible with unmoved resistance to stress cracking.



Technical Specifications

Working Pressure:

from -0.9 to 35 bar (depending on temperature and product type)

Working Temperature:

-196°C to +260°C



USP class VI
(high purity PFA)

For more information see catalogue LEAF/0598.

For more information on Instant Fittings and Tubing, please contact:

Fluid System Connectors Europe

Parker Hannifin France SAS
Parker Hannifin Corporation

CS 46911 - 74 rue de Paris - 35069 RENNES
Phone: +33 (0)2 99 25 55 00
Fax: +33 (0)2 99 25 55 99
www.parkerconnectic.com



Parker's Motion & Control Technologies

At Parker, we're guided by a relentless drive to help our customers become more productive and achieve higher levels of profitability by engineering the best systems for their requirements. It means looking at customer applications from many angles to find new ways to create value. Whatever the motion and control technology need, Parker has the experience, breadth of product and global reach to consistently deliver. No company knows more about motion and control technology than Parker. For further info call 00800 27 27 5374



Aerospace Key Markets

Aftermarket services
Commercial transports
Engines
General & business aviation
Helicopters
Launch vehicles
Military aircraft
Missiles
Power generation
Regional transports
Unmanned aerial vehicles

Key Products

Control systems & actuation products
Engine systems & components
Fluid conveyance systems & components
Fluid metering, delivery & atomization devices
Fuel systems & components
Fuel tank inerting systems
Hydraulic systems & components
Thermal management
Wheels & brakes



Climate Control Key Markets

Agriculture
Air conditioning
Construction Machinery
Food & beverage
Industrial machinery
Life sciences
Oil & gas
Precision cooling
Process
Refrigeration
Transportation

Key Products

Accumulators
Advanced actuators
CO₂ controls
Electronic controllers
Filter driers
Hand shut-off valves
Heat exchangers
Hose & fittings
Pressure regulating valves
Refrigerant distributors
Safety relief valves
Smart pumps
Solenoid valves
Thermostatic expansion valves



Electromechanical Key Markets

Aerospace
Factory automation
Life science & medical
Machine tools
Packaging machinery
Paper machinery
Plastics machinery & converting
Primary metals
Semiconductor & electronics
Textile
Wire & cable

Key Products

AC/DC drives & systems
Electric actuators, gantry robots & slides
Electrohydraulic actuation systems
Electromechanical actuation systems
Human machine interface
Linear motors
Stepper motors, servo motors, drives & controls
Structural extrusions



Filtration Key Markets

Aerospace
Food & beverage
Industrial plant & equipment
Life sciences
Marine
Mobile equipment
Oil & gas
Power generation & renewable energy
Process
Transportation
Water Purification

Key Products

Analytical gas generators
Compressed air filters & dryers
Engine air, coolant, fuel & oil filtration systems
Fluid condition monitoring systems
Hydraulic & lubrication filters
Hydrogen, nitrogen & zero air generators
Instrumentation filters
Membrane & fiber filters
Microfiltration
Sterile air filtration
Water desalination & purification filters & system



Fluid & Gas Handling

Key Markets

Aerial lift
Agriculture
Bulk chemical handling
Construction machinery
Food & beverage
Fuel & gas delivery
Industrial machinery
Life sciences
Marine
Mining
Mobile
Oil & gas
Renewable energy
Transportation

Key Products

Check valves
Connectors for low pressure fluid conveyance
Deep sea umbilicals
Diagnostic equipment
Hose couplings
Industrial hose
Mooring systems & power cables
PTFE hose & tubing
Quick couplings
Rubber & thermoplastic hose
Tube fittings & adapters
Tubing & plastic fittings



Hydraulics

Key Markets

Aerial lift
Agriculture
Alternative energy
Construction machinery
Forestry
Industrial machinery
Machine tools
Marine
Material handling
Mining
Oil & gas
Power generation
Refuse vehicles
Renewable energy
Truck hydraulics
Turf equipment

Key Products

Accumulators
Cartridge valves
Electrohydraulic actuators
Human machine interfaces
Hybrid drives
Hydraulic cylinders
Hydraulic motors & pumps
Hydraulic systems
Hydraulic valves & controls
Hydrostatic steering
Integrated hydraulic circuits
Power take-offs
Power units
Rotary actuators
Sensors



Pneumatics

Key Markets

Aerospace
Conveyor & material handling
Factory automation
Life science & medical
Machine tools
Packaging machinery
Transportation & automotive

Key Products

Air preparation
Brass fittings & valves
Manifolds
Pneumatic accessories
Pneumatic actuators & grippers
Pneumatic valves & controls
Quick disconnects
Rotary actuators
Rubber & thermoplastic hose & couplings
Structural extrusions
Thermoplastic tubing & fittings
Vacuum generators, cups & sensors



Process Control

Key Markets

Alternative fuels
Biopharmaceuticals
Chemical & refining
Food & beverage
Marine & shipbuilding
Medical & dental
Microelectronics
Nuclear Power
Offshore oil exploration
Oil & gas
Pharmaceuticals
Power generation
Pulp & paper
Steel
Water/wastewater

Key Products

Analytical Instruments
Analytical sample conditioning products & systems
Chemical injection fittings & valves
Fluoropolymer chemical delivery fittings, valves & pumps
High purity gas delivery fittings, valves, regulators & digital flow controllers
Industrial mass flow meters/ controllers
Permanent no-weld tube fittings
Precision industrial regulators & flow controllers
Process control double block & bleeds
Process control fittings, valves, regulators & manifold valves



Sealing & Shielding

Key Markets

Aerospace
Chemical processing
Consumer
Fluid power
General industrial
Information technology
Life sciences
Microelectronics
Military
Oil & gas
Power generation
Renewable energy
Telecommunications
Transportation

Key Products

Dynamic seals
Elastomeric o-rings
Electro-medical instrument design & assembly
EMI shielding
Extruded & precision-cut, fabricated elastomeric seals
High temperature metal seals
Homogeneous & inserted elastomeric shapes
Medical device fabrication & assembly
Metal & plastic retained composite seals
Shielded optical windows
Silicone tubing & extrusions
Thermal management
Vibration dampening

ENGINEERING YOUR SUCCESS.

Parker Worldwide

Europe, Middle East, Africa

AE – United Arab Emirates, Dubai
Tel: +971 4 8127100
parker.me@parker.com

AT – Austria, Wiener Neustadt
Tel: +43 (0)2622 23501-0
parker.austria@parker.com

AT – Eastern Europe, Wiener Neustadt
Tel: +43 (0)2622 23501 900
parker.easteurope@parker.com

AZ – Azerbaijan, Baku
Tel: +994 50 2233 458
parker.azerbaijan@parker.com

BE/LU – Belgium, Nivelles
Tel: +32 (0)67 280 900
parker.belgium@parker.com

BG – Bulgaria, Sofia
Tel: +359 2 980 1344
parker.bulgaria@parker.com

BY – Belarus, Minsk
Tel: +375 17 209 9399
parker.belarus@parker.com

CH – Switzerland, Etoy
Tel: +41 (0)21 821 87 00
parker.switzerland@parker.com

CZ – Czech Republic, Klecany
Tel: +420 284 083 111
parker.czechrepublic@parker.com

DE – Germany, Kaarst
Tel: +49 (0)2131 4016 0
parker.germany@parker.com

DK – Denmark, Ballerup
Tel: +45 43 56 04 00
parker.denmark@parker.com

ES – Spain, Madrid
Tel: +34 902 330 001
parker.spain@parker.com

FI – Finland, Vantaa
Tel: +358 (0)20 753 2500
parker.finland@parker.com

FR – France, Contamine s/Arve
Tel: +33 (0)4 50 25 80 25
parker.france@parker.com

GR – Greece, Athens
Tel: +30 210 933 6450
parker.greece@parker.com

HU – Hungary, Budaörs
Tel: +36 23 885 470
parker.hungary@parker.com

IE – Ireland, Dublin
Tel: +353 (0)1 466 6370
parker.ireland@parker.com

IT – Italy, Corsico (MI)
Tel: +39 02 45 19 21
parker.italy@parker.com

KZ – Kazakhstan, Almaty
Tel: +7 7273 561 000
parker.easteurope@parker.com

NL – The Netherlands, Oldenzaal
Tel: +31 (0)541 585 000
parker.nl@parker.com

NO – Norway, Asker
Tel: +47 66 75 34 00
parker.norway@parker.com

PL – Poland, Warsaw
Tel: +48 (0)22 573 24 00
parker.poland@parker.com

PT – Portugal, Leca da Palmeira
Tel: +351 22 999 7360
parker.portugal@parker.com

RO – Romania, Bucharest
Tel: +40 21 252 1382
parker.romania@parker.com

RU – Russia, Moscow
Tel: +7 495 645-2156
parker.russia@parker.com

SE – Sweden, Spånga
Tel: +46 (0)8 59 79 50 00
parker.sweden@parker.com

SK – Slovakia, Banská Bystrica
Tel: +421 484 162 252
parker.slovakia@parker.com

SL – Slovenia, Novo Mesto
Tel: +386 7 337 6650
parker.slovenia@parker.com

TR – Turkey, Istanbul
Tel: +90 216 4997081
parker.turkey@parker.com

UA – Ukraine, Kiev
Tel: +380 44 494 2731
parker.ukraine@parker.com

UK – United Kingdom, Warwick
Tel: +44 (0)1926 317 878
parker.uk@parker.com

ZA – South Africa, Kempton Park
Tel: +27 (0)11 961 0700
parker.southafrica@parker.com

North America

CA – Canada, Milton, Ontario
Tel: +1 905 693 3000

US – USA, Cleveland
Tel: +1 216 896 3000

Asia Pacific

AU – Australia, Castle Hill
Tel: +61 (0)2-9634 7777

CN – China, Shanghai
Tel: +86 21 2899 5000

HK – Hong Kong
Tel: +852 2428 8008

IN – India, Mumbai
Tel: +91 22 6513 7081-85

JP – Japan, Tokyo
Tel: +81 (0)3 6408 3901

KR – South Korea, Seoul
Tel: +82 2 559 0400

MY – Malaysia, Shah Alam
Tel: +60 3 7849 0800

NZ – New Zealand, Mt Wellington
Tel: +64 9 574 1744

SG – Singapore
Tel: +65 6887 6300

TH – Thailand, Bangkok
Tel: +662 186 7000-99

TW – Taiwan, Taipei
Tel: +886 2 2298 8987

South America

AR – Argentina, Buenos Aires
Tel: +54 3327 44 4129

BR – Brazil, Sao Jose dos Campos
Tel: +55 800 727 5374

CL – Chile, Santiago
Tel: +56 2 623 1216

MX – Mexico, Apodaca
Tel: +52 81 8156 6000

All rights reserved.

FCDE 6220/UK - 02/2013 - Zalsman

© 2012 Parker Hannifin Corporation.

Your local authorized Parker distributor



EMEA Product Information Centre

Free phone: 00 800 27 27 5374

(from AT, BE, CH, CZ, DE, DK, EE, ES, FI, FR, IE, IL, IS, IT, LU, MT, NL, NO, PL, PT, RU, SE, SK, UK, ZA)

US Product Information Centre

Toll-free number: 1-800-27 27 537

www.parker.com

DYSTRYBUTOR PARKER PREMIUM

ARA
PNEUMATIK

| arapneumatik.pl

PARKER STORE WROCŁAW
pneumatyka@arapneumatik.pl
TEL. 71 364 72 85

PARKER STORE KATOWICE
katowice@arapneumatik.pl
TEL. 32 779 76 40



Ed. 2013-02-14