

# Solenoid Valves



## Solenoid Valves EMV

Nominal diameter from 2 mm to 25 mm



### Suitability for Industry-Specific Applications



Solenoid valves EMV

### Applications

- Control of vacuum, blow-off and venting of the suction pad
- Control of compressed air or vacuum in lines with smaller cross-sections
- NO function ensures workpiece is held even in the case of a power failure
- For handling tasks with short switching times
- Suitable for neutral or filtered air

### Design

- Directly controlled solenoid valve
- Valve EMV 2 and EMV 3 always with NC switching function
- Degree of protection IP 65
- Connection socket complies with DIN 43 650, Form A
- Supplied complete with plug connector and (for DC operation) a quenching diode

### Our Highlights...

- Seat valve in robust metal housing
- Directly controlled
- 3/2-way valve (exception: EMV 3 is a 2/2-way valve)
- Switching function NO (exception: EMV 2 and EMV 3 are NC)

### Your Benefits...

- > Suitable for vacuum and compressed air
- > Short opening and closing times
- > Control of on/off and venting functions
- > Safety in the case of a power failure

### Designation Code Solenoid Valves EMV

Abbreviated designation	Nominal size in mm	Voltage in V	Version	Idle position suction valve
Example EMV 5 24V-DC 3/2 NO:				
EMV	5	24V-DC	3/2	NO
EMV	2	24V-DC direct current	3/2 3/2-way-valve	NC normally closed
	3	230V-AC single-phase		NO normally open
	5			
	10			
	15			
	20			
	25			

### Ordering Data Solenoid Valves EMV

Solenoid valve EMV is delivered as a ready to connect product.

Available accessories: venting filter



Schmalz - The Company  
Vacuum Knowledge  
Vacuum Suction Pads  
Special Grippers  
Mounting Elements  
Vacuum Generators  
Valve Technology  
Switches and Monitoring  
Filters and Connections  
Vacuum Gripping Systems  
Services  
Contact  
Index of Products

# Solenoid Valves



## Solenoid Valves EMV

Nominal diameter from 2 mm to 25 mm

### Solenoid Valves EMV

Type	Operating voltage	
	230V-AC	24V-DC
EMV 2	-	10.05.01.00290
EMV 3	10.05.01.00067	10.05.01.00066
EMV 5	10.05.01.00069	10.05.01.00068
EMV 10	10.05.01.00071	10.05.01.00070
EMV 15	10.05.01.00073	10.05.01.00072
EMV 20	10.05.01.00075	10.05.01.00074
EMV 25	10.05.01.00077	10.05.01.00076

### Ordering Accessories Data Solenoid Valves EMV

Type	Venting filter with mounting kit
EMV 2	-
EMV 3	-
EMV 5	10.05.01.00060
EMV 10	10.05.01.00061
EMV 15	10.05.01.00062
EMV 20	10.05.01.00063
EMV 25	10.05.01.00064

### Technical Data Solenoid Valves EMV

Type	Nominal size [mm]	Principle of operation	Nominal flow rate [m <sup>3</sup> /h]	Nominal flow rate [l/min]	Power consumption DC [W]	Closing time [ms]	Weight [kg]
EMV 2	2	Normally closed	1	17	2.5	10	0.150
EMV 3	3	Normally closed	2	33	5.0	20	0.200
EMV 5	5	Normally open	4	67	15.0	20	0.518
EMV 10	10	Normally open	20	333	32.0	25	2.510
EMV 15	15	Normally open	34	567	38.4	80	4.665
EMV 20	20	Normally open	53	883	40.8	100	6.375
EMV 25	25	Normally open	88	1467	63.8	135	9.600

# Solenoid Valves

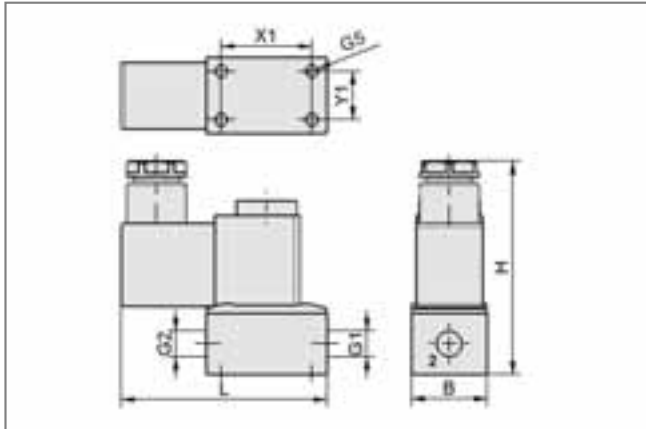


## Solenoid Valves EMV

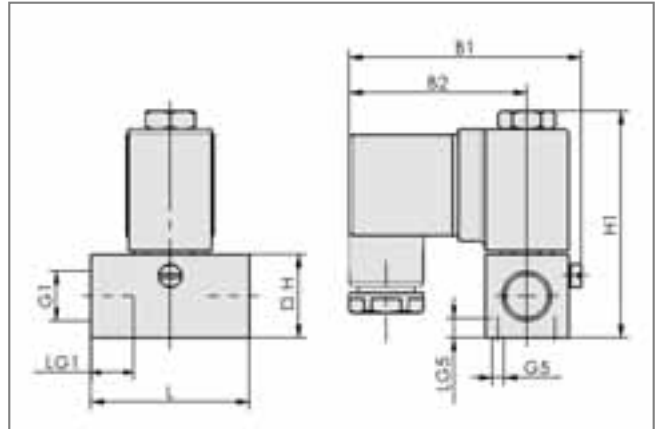
Nominal diameter from 2 mm to 25 mm



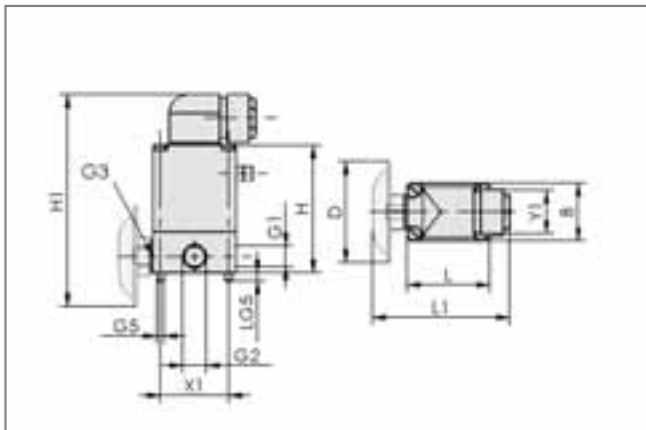
### Design Data Solenoid Valves EMV



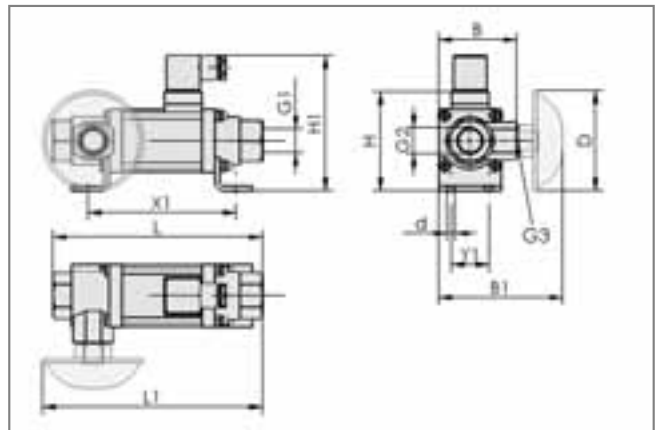
EMV 2



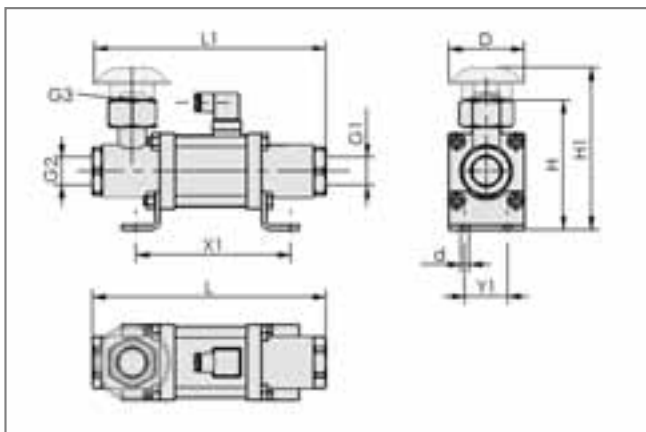
EMV 3



EMV 5



EMV 10



EMV 15...25

- Schmalz - The Company
- Vacuum Knowledge
- Vacuum Suction Pads
- Special Grippers
- Mounting Elements
- Vacuum Generators
- Valve Technology**
- Switches and Monitoring
- Filters and Connections
- Vacuum Gripping Systems
- Services
- Contact
- Index of Products

# Solenoid Valves



## Solenoid Valves EMV

Nominal diameter from 2 mm to 25 mm

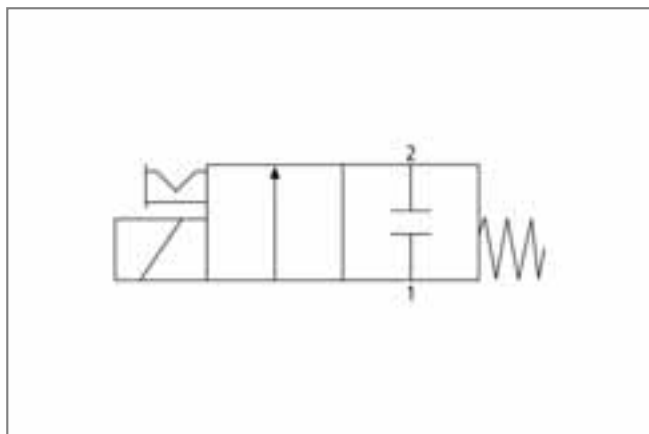


### Design Data Solenoid Valves EMV

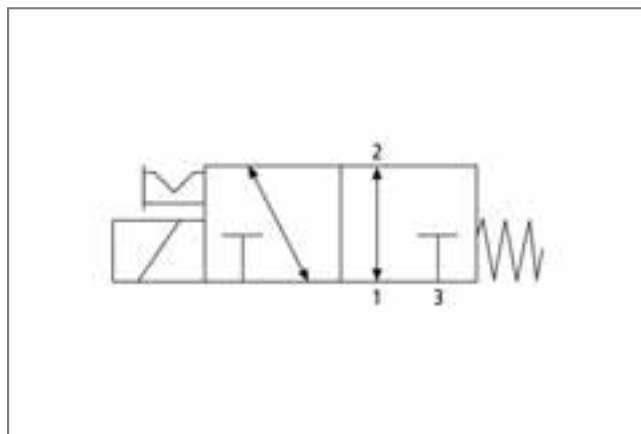
Type	Dimensions in mm																
	B	B1	B2	d	D	G1	G2	G3	G5	H	H1	L	L1	LG1	LG5	X1	Y1
EMV 2	25	-	-	-	-	G1/8"-F	G1/8"-F	-	M5-F	70	-	68.0	-	-	-	30.0	16
EMV 3	-	61.5	47	-	-	G1/4"-F	-	-	M3-F	22	60.0	42.0	-	12	5	-	-
EMV 5	32	-	-	-	56	G1/4"-F	G1/4"-F	G1/4"-F	M4-F	71	118.0	46.0	76.0	-	5	38.0	24
EMV 10	62	98.5	-	7.0	80	G1/2"-F	G1/2"-F	G1/2"-F	-	79	108.0	166.5	174.5	-	-	117.5	30
EMV 15	-	-	-	6.5	80	G3/4"-F	G3/4"-F	G3/4"-F	-	113	139.5	209.0	211.0	-	-	133.0	40
EMV 20	-	-	-	8.5	80	G1"-F	G1"-F	G1"-F	-	137	172.0	247.0	245.0	-	-	164.0	45
EMV 25	-	-	-	8.5	80	G1-1/4"-F	G1-1/4"-F	G1-1/4"-F	-	145	180.0	281.0	271.5	-	-	94.0	72



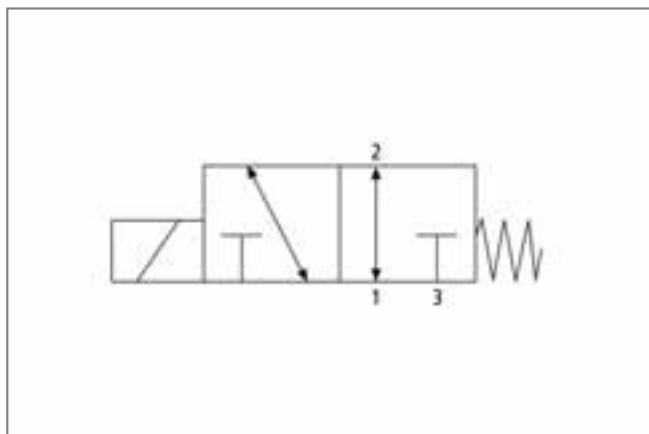
### Functional Circuit Diagram Solenoid Valves EMV



Circuit diagram EMV 3 (1 = vacuum generator; 2 = suction pad)



Circuit diagram EMV 2, EMV 5 (1 = vacuum generator; 2 = suction pad; 3 = ventilation)



Circuit diagram EMV 10-25 (1 = vacuum generator; 2 = suction pad; 3 = ventilation)

