

Solenoid Valves



Solenoid Valves EMVO

Nominal diameter from 12 mm to 25 mm



Suitability for Industry-Specific Applications



Solenoid valves EMVO

Applications

- Solenoid valve for use at high volume flow rates in systems with large cross-sections
- Control of vacuum, blow-off and venting of the suction pad
- Suitable for neutral or filtered air

Design

- Directly controlled solenoid valve
- Switching function (NC)
- Seat valve in housing made of brass and aluminum
- Degree of protection IP 65
- Connection socket complies with DIN 43 650, Form A
- Supplied complete with plug connector

Our Highlights...

- 3/2-way valve
- Valve with large nominal diameter
- Directly controlled

Your Benefits...

- > Control of vacuum on/off or venting function
- > Suitable for lines with large nominal flow rates
- > Short opening and closing times

Designation Code Solenoid Valves EMVO

Abbreviated designation	Nominal size in mm	Voltage in V	Version	Idle position suction valve
Example EMVO 12 230V-AC 3/2 NC:				
EMVO	12	230V-AC	3/2	NC
EMVO	12	24V-DC direct current	3/2 3/2-way-valve	NC normally closed
	20	230V-AC single-phase		NO normally open
	25			

Ordering Data Solenoid Valves EMVO

Solenoid valve EMVO is delivered as a ready to connect product.

Available accessories: venting filter

ARA
PNEUMATIK
53-012 Wrocław tel. 71 364 72 80
ul. Wyścigowa 38 fax 71 364 72 83
www.arapneumatik.pl



Schmalz - The Company
Vacuum Knowledge
Vacuum Suction Pads
Special Grippers
Mounting Elements
Vacuum Generators
Valve Technology
Switches and Monitoring
Filters and Connections
Vacuum Gripping Systems
Services
Contact
Index of Products

Solenoid Valves



Solenoid Valves EMVO

Nominal diameter from 12 mm to 25 mm

Solenoid Valves EMVO

Type	Operating voltage	
	230V-AC	24V-DC
EMVO 12	10.05.01.00052	10.05.01.00049
EMVO 20	10.05.01.00053	10.05.01.00050
EMVO 25	-	10.05.01.00051

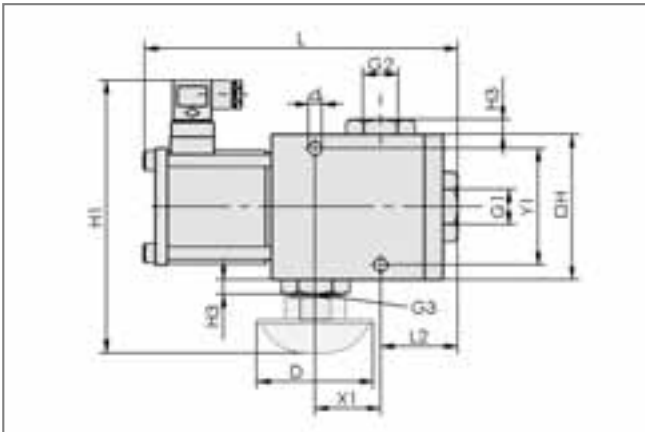
Ordering Data Accessories Solenoid Valves EMVO

Type	Venting filter with mounting kit
EMVO 12	10.05.01.00061
EMVO 20	10.05.01.00062
EMVO 25	10.05.01.00063

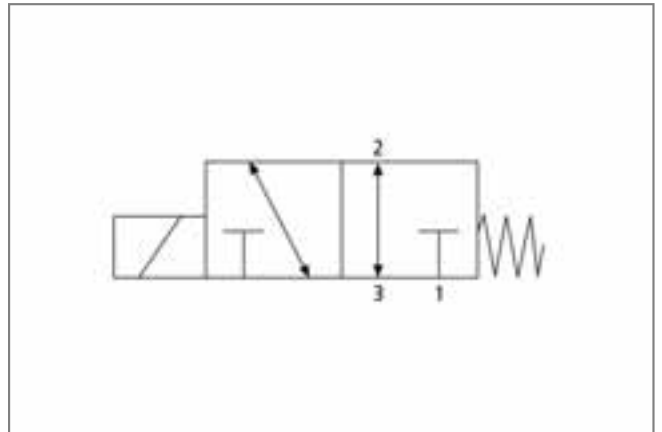
Technical Data Solenoid Valves EMVO

Type	Nominal size [mm]	Principle of operation	Nominal flow rate [m³/h]	Nominal flow rate [l/min]	Power consumption DC [W]	Power consumption AC3 [W]	Weight [kg]
EMVO 12	12	Normally closed	21	350	18.3	35.2	1.2
EMVO 20	20	Normally closed	72	1200	40.8	35.2	5.8
EMVO 25	25	Normally closed	101	1683	40.8	35.2	5.7

Design Data and Functional Circuit Diagram Solenoid Valves EMVO



EMVO 12 to 25



Circuit diagram EMVO (1 = vacuum generator; 2 = suction pad; 3 = ventilation)

Type	Dimensions in mm											
	d	D	G1	G2	G3	H	H1	H3	L	L2	X1	Y1
EMVO 12	6.5	80	G1/2"-F	G1/2"-F	G1/2"-F	60	135.5	-	122	32	24	40
EMVO 20	9.0	80	G3/4"-F	G3/4"-F	G3/4"-F	100	187.5	10	206	43	45	80
EMVO 25	9.0	80	G1"-F	G1"-F	G1"-F	100	172.0	-	206	43	45	80