

Solenoid Valves EMVP

Nominal diameter from 5 mm to 50 mm



Suitability for Industry-Specific Applications



Solenoid valves EMVP

Applications

- Solenoid valve for control at high nominal flow rates
- Control of vacuum, blow-off and venting of the suction pad
- NO function ensures the workpiece is held even in the case of a power failure
- For handling tasks with very short switching times
- Suitable for neutral or filtered gases

Design

- Solenoid valve with pneumatic pilot control
- Seat valve in aluminum housing (EMVP 5, EMVP 8) as well as plastic housing EMVP 10 to 50
- Degree of protection IP 65 according to EN 60529
- Connection socket (EMVP 10-50) complies with DIN 43 650, Form A
- Supplied complete with plug connector and (for DC operation) a quenching diode

Our Highlights...

- Pilot control with compressed air ($p = 5 \text{ bar}$)
- Wide range of nominal diameters
- 3/2-way valve
- Bistable impulse valve

Your Benefits...

- > Extremely short opening and closing times
- > Also suitable for high volume flow rates
- > Control of vacuum on/off or venting functions
- > Prevention of air consumption in case of power failures

Designation Code Solenoid Valves EMVP

Abbreviated designation	Nominal size in mm	Voltage in V	Version	Idle position suction valve
Example EMVP 15 24V-DC 3/2 NC:				
EMVP	15	24V-DC	3/2	NC
EMVP	5	24V-DC direct current	3/2 3/2-way-valve	IMP bistable, switched with pulse
	8	230V-AC single-phase	5/2 5/2-way-valve	NC normally closed
	10			NO normally open
	15			
	20			
	25			
	32			
	50			

Ordering Data Solenoid Valves EMVP

Solenoid valve EMVP is delivered as a ready to connect product.

Available accessories: venting filter, connection cable for solenoid valves, socket with M12-connection



Solenoid Valves



Solenoid Valves EMVP

Nominal diameter from 5 mm to 50 mm

Solenoid Valves EMVP

Type	Part Number
EMVP 5 24V-DC 3/2 NC	10.05.02.00162
EMVP 5 24V-DC 5/2 IMP	10.05.02.00163
EMVP 8 24V-DC 3/2 NC	10.05.02.00164
EMVP 8 24V-DC 5/2 IMP	10.05.02.00165
EMVP 10 230V-AC 3/2 NO	10.05.02.00143
EMVP 10 24V-DC 3/2 NO	10.05.02.00144
EMVP 15 230V-AC 3/2 NO/NC	10.05.02.00145
EMVP 15 24V-DC 3/2 NO/NC	10.05.02.00146
EMVP 15 24V-DC 3/2 IMP	10.05.02.00147
EMVP 20 230V-AC 3/2 NO/NC	10.05.02.00148
EMVP 20 24V-DC 3/2 NO/NC	10.05.02.00149
EMVP 20 24V-DC 3/2 IMP	10.05.02.00167
EMVP 25 230V-AC 3/2 NO/NC	10.05.02.00150
EMVP 25 24V-DC 3/2 NO/NC	10.05.02.00151
EMVP 25 24V-DC 3/2 IMP	10.05.02.00152
EMVP 32 230V-AC 3/2 NO	10.05.02.00074
EMVP 32 24V-DC 3/2 NO	10.05.02.00068
EMVP 50 230V-AC 3/2 NO	10.05.02.00075
EMVP 50 24V-DC 3/2 NO	10.05.02.00069

Ordering Data Accessories Solenoid Valves EMVP

Type	Venting filter with mounting kit	Connection cable for solenoid valves (3 m, PUR)	Socket with M12-connection
EMVP 5 24V-DC 3/2 NC	-	-	-
EMVP 5 24V-DC 5/2 IMP	-	-	-
EMVP 8 24V-DC 3/2 NC	-	-	-
EMVP 8 24V-DC 5/2 IMP	-	-	-
EMVP 10 230V-AC 3/2 NO	10.05.01.00065	-	-
EMVP 10 24V-DC 3/2 NO	10.05.01.00065	-	10.05.02.00157
EMVP 15 230V-AC 3/2 NO/NC	10.05.01.00061	-	-
EMVP 15 24V-DC 3/2 NO/NC	10.05.01.00061	-	10.05.02.00157
EMVP 15 24V-DC 3/2 IMP	10.05.01.00061	21.04.06.00086	-
EMVP 20 230V-AC 3/2 NO/NC	10.05.01.00062	-	-
EMVP 20 24V-DC 3/2 NO/NC	10.05.01.00062	-	10.05.02.00157
EMVP 20 24V-DC 3/2 IMP	10.05.01.00062	21.04.06.00086	-
EMVP 25 230V-AC 3/2 NO/NC	10.05.01.00063	-	-
EMVP 25 24V-DC 3/2 NO/NC	10.05.01.00063	-	10.05.02.00157
EMVP 25 24V-DC 3/2 IMP	10.05.01.00063	21.04.06.00086	-
EMVP 32 230V-AC 3/2 NO	10.05.01.00062	-	-
EMVP 32 24V-DC 3/2 NO	10.05.01.00062	-	10.05.02.00157
EMVP 50 230V-AC 3/2 NO	10.05.01.00064	-	-
EMVP 50 24V-DC 3/2 NO	10.05.01.00064	-	10.05.02.00157

Solenoid Valves



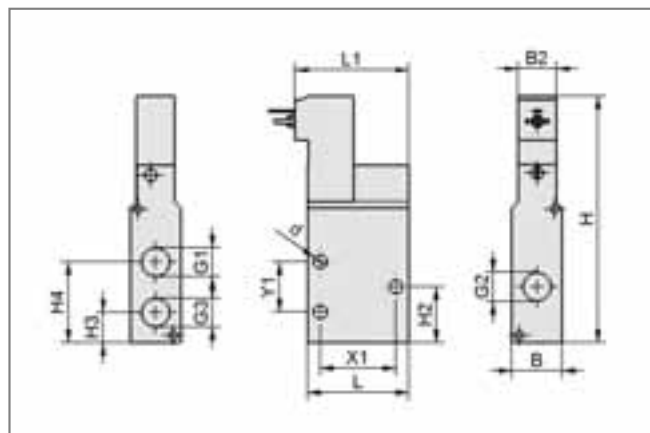
Solenoid Valves EMVP

Nominal diameter from 5 mm to 50 mm

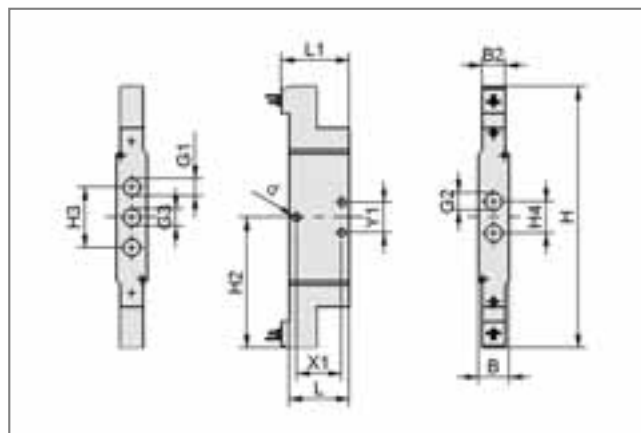
Technical Data Solenoid Valves EMVP

Type	Nominal size [mm]	Principle of operation	Nominal flow rate [m³/h]	Nominal flow rate [l/min]	Power consumption DC [W]	Closing time [ms]	Weight [kg]
EMVP 5 24V-DC 3/2 NC	5	Normally closed	3	50	1	19	0.11
EMVP 5 24V-DC 5/2 IMP	5	Double pilot valve	3	50	1	13	0.16
EMVP 8 24V-DC 3/2 NC	8	Normally closed	6	100	1	19	0.15
EMVP 8 24V-DC 5/2 IMP	8	Double pilot valve	6	100	1	11	0.27
EMVP 10 230V-AC 3/2 NO	10	Normally open	10	167	5	22	0.42
EMVP 10 24V-DC 3/2 NO	10	Normally open	10	167	5	22	0.42
EMVP 15 230V-AC 3/2 NO/NC	15	Optionally NO/NC	20	333	5	90	0.39
EMVP 15 24V-DC 3/2 NO/NC	15	Optionally NO/NC	20	333	5	90	0.39
EMVP 15 24V-DC 3/2 IMP	15	Double pilot valve	20	333	5	110	0.55
EMVP 20 230V-AC 3/2 NO/NC	20	Optionally NO/NC	40	667	5	90	0.37
EMVP 20 24V-DC 3/2 NO/NC	20	Optionally NO/NC	40	667	5	90	0.37
EMVP 20 24V-DC 3/2 IMP	20	Double pilot valve	40	667	5	110	0.53
EMVP 25 230V-AC 3/2 NO/NC	25	Optionally NO/NC	90	1500	5	80	0.52
EMVP 25 24V-DC 3/2 NO/NC	25	Optionally NO/NC	90	1500	5	80	0.52
EMVP 25 24V-DC 3/2 IMP	25	Double pilot valve	90	1500	5	100	0.68
EMVP 32 230V-AC 3/2 NO	32	Normally open	130	2167	5	300	0.50
EMVP 32 24V-DC 3/2 NO	32	Normally open	130	2167	5	300	0.50
EMVP 50 230V-AC 3/2 NO	50	Normally open	310	5167	5	500	1.36
EMVP 50 24V-DC 3/2 NO	50	Normally open	310	5167	5	500	1.36

Design Data Solenoid Valves EMVP



EMVP 5/8...NC



EMVP 5/8...IMP

Solenoid Valves

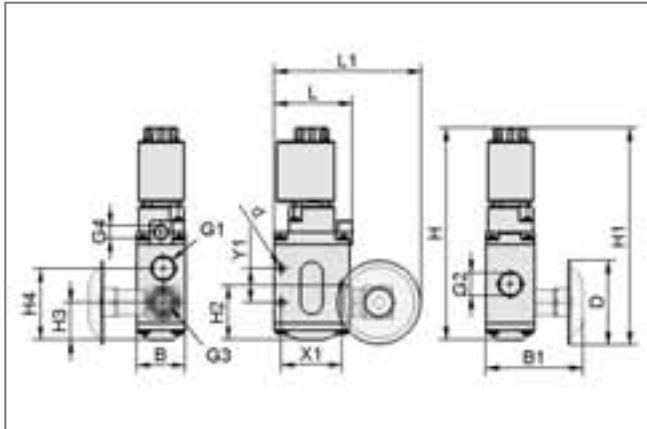


Solenoid Valves EMVP

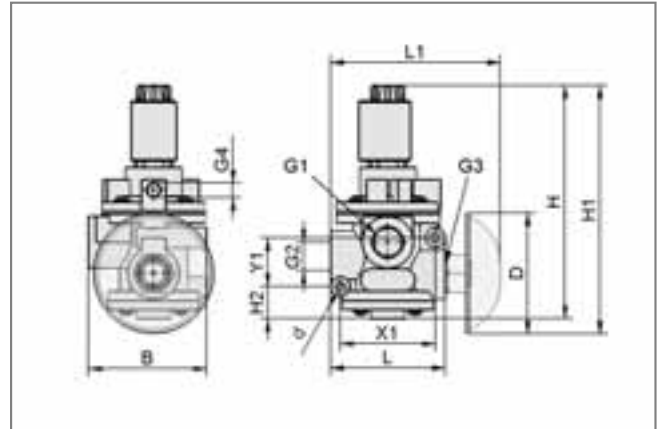
Nominal diameter from 5 mm to 50 mm



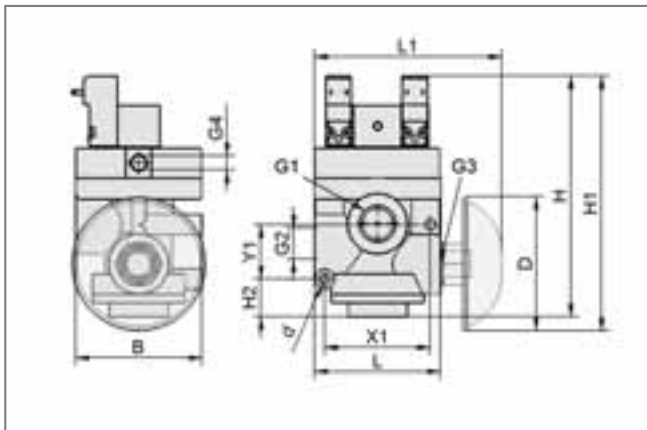
Design Data Solenoid Valves EMVP



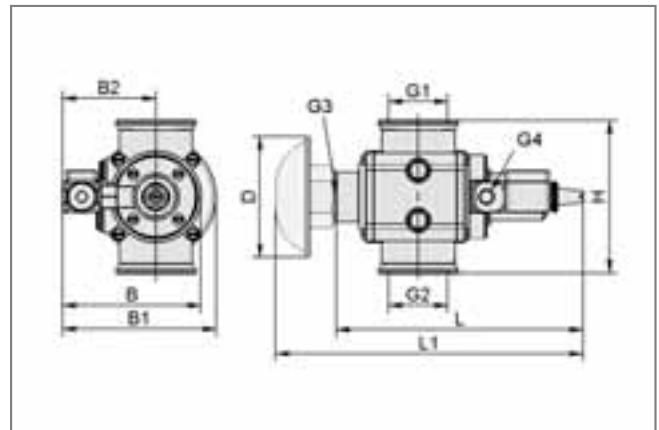
EMVP 10



EMVP 15/20/25...NO/NC



EMVP 15/20/25...IMP



EMVP 32/50

Type	Dimensions in mm				d	D	G1	G2	G3	G4
	B	B1	B2							
EMVP 5 24V-DC 3/2 NC	15.0	-	15.0		4.3	-	G1/8"-F	G1/8"-F	G1/8"-F	-
EMVP 5 24V-DC 5/2 IMP	15.2	-	15.2		4.3	-	G1/8"-F	G1/8"-F	G1/8"-F	-
EMVP 8 24V-DC 3/2 NC	20.0	-	15.2		5.5	-	G1/4"-F	G1/4"-F	G1/4"-F	-
EMVP 8 24V-DC 5/2 IMP	20.0	-	15.2		5.5	-	G1/4"-F	G1/4"-F	G1/4"-F	-
EMVP 10 230V-AC 3/2 NO	35.0	65	-		4.3	56	G3/8"-F	G3/8"-F	G3/8"-F	G1/8"-F
EMVP 10 24V-DC 3/2 NO	35.0	65	-		4.3	56	G3/8"-F	G3/8"-F	G3/8"-F	G1/8"-F
EMVP 15 230V-AC 3/2 NO/NC	75.0	-	-		6.5	80	G1/2"-F	G1/2"-F	G1/2"-F	G1/8"-F
EMVP 15 24V-DC 3/2 NO/NC	75.0	-	-		6.5	80	G1/2"-F	G1/2"-F	G1/2"-F	G1/8"-F
EMVP 15 24V-DC 3/2 IMP	75.0	-	-		6.5	80	G1/2"-F	G1/2"-F	G1/2"-F	G1/8"-F
EMVP 20 230V-AC 3/2 NO/NC	75.0	-	-		6.5	80	G3/4"-F	G3/4"-F	G3/4"-F	G1/8"-F
EMVP 20 24V-DC 3/2 NO/NC	75.0	-	-		6.5	80	G3/4"-F	G3/4"-F	G3/4"-F	G1/8"-F
EMVP 20 24V-DC 3/2 IMP	75.0	-	-		6.5	80	G3/4"-F	G3/4"-F	G3/4"-F	G1/8"-F
EMVP 25 230V-AC 3/2 NO/NC	94.0	-	-		8.0	80	G1"-F	G1"-F	G1"-F	G1/8"-F
EMVP 25 24V-DC 3/2 NO/NC	94.0	-	-		8.0	80	G1"-F	G1"-F	G1"-F	G1/8"-F
EMVP 25 24V-DC 3/2 IMP	94.0	-	-		8.0	80	G1"-F	G1"-F	G1"-F	G1/8"-F
EMVP 32 230V-AC 3/2 NO	90.5	101	61.5		-	80	G1-1/4"-F	G1-1/4"-F	G3/4"-F	G1/8"-F
EMVP 32 24V-DC 3/2 NO	90.5	101	61.5		-	80	G1-1/4"-F	G1-1/4"-F	G3/4"-F	G1/8"-F
EMVP 50 230V-AC 3/2 NO	114.0	151	105.5		-	80	G2"-F	G2"-F	G1-1/4"-F	G1/8"-F
EMVP 50 24V-DC 3/2 NO	114.0	151	105.5		-	80	G2"-F	G2"-F	G1-1/4"-F	G1/8"-F

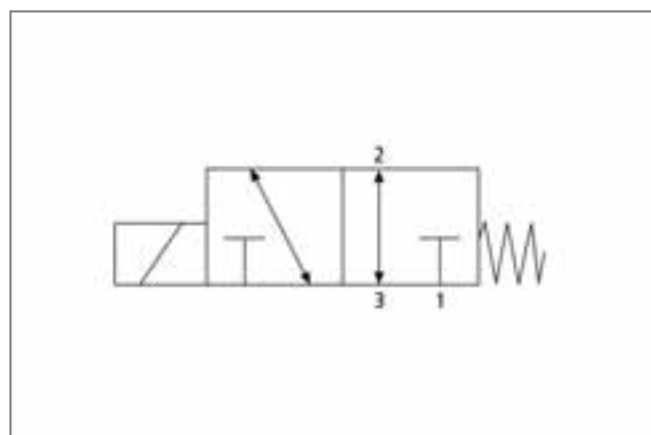
Solenoid Valves EMVP

Nominal diameter from 5 mm to 50 mm

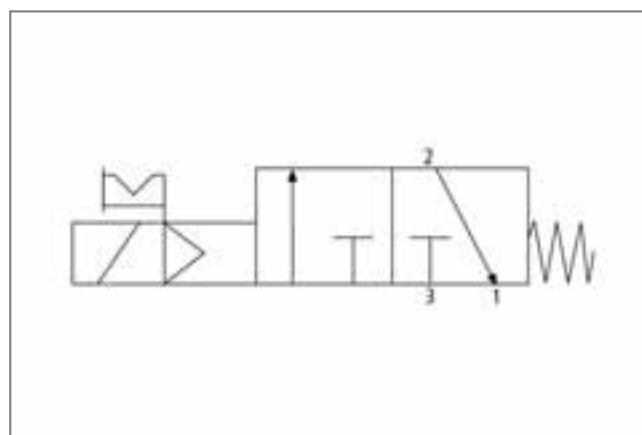
Design Data Solenoid Valves EMVP

Type	Dimensions in mm									
	H	H1	H2	H3	H4	L	L1	X1	Y1	
EMVP 5 24V-DC 3/2 NC	88	-	20	12.0	27	32	37	23	15	
EMVP 5 24V-DC 5/2 IMP	153	-	76	30.0	15	32	37	23	15	
EMVP 8 24V-DC 3/2 NC	98	-	22	12.0	32	40	45	30	20	
EMVP 8 24V-DC 5/2 IMP	173	-	86	40.0	21	40	45	30	20	
EMVP 10 230V-AC 3/2 NO	148	143.5	33	20.5	45	50	98	40	23	
EMVP 10 24V-DC 3/2 NO	148	143.5	33	20.5	45	50	98	40	23	
EMVP 15 230V-AC 3/2 NO/NC	166	174.8	23	-	-	75	112	63	33	
EMVP 15 24V-DC 3/2 NO/NC	166	174.8	23	-	-	75	112	63	33	
EMVP 15 24V-DC 3/2 IMP	144	152.1	23	-	-	75	112	63	33	
EMVP 20 230V-AC 3/2 NO/NC	166	174.8	23	-	-	75	116	63	33	
EMVP 20 24V-DC 3/2 NO/NC	166	174.8	23	-	-	75	116	63	33	
EMVP 20 24V-DC 3/2 IMP	144	152.1	23	-	-	75	116	63	33	
EMVP 25 230V-AC 3/2 NO/NC	190	196.5	22	-	-	94	132	76	37	
EMVP 25 24V-DC 3/2 NO/NC	190	196.5	22	-	-	94	132	76	37	
EMVP 25 24V-DC 3/2 IMP	167	173.8	22	-	-	94	132	76	37	
EMVP 32 230V-AC 3/2 NO	101	-	-	-	-	163	204	-	-	
EMVP 32 24V-DC 3/2 NO	101	-	-	-	-	163	204	-	-	
EMVP 50 230V-AC 3/2 NO	142	-	-	-	-	225	260	-	-	
EMVP 50 24V-DC 3/2 NO	142	-	-	-	-	225	260	-	-	

Functional Circuit Diagram Solenoid Valves EMVP



Circuit diagram EMVP 5 and EMVP 8 (1 = vacuum generator; 2 = suction pad; 3 = ventilation)



Circuit diagram EMVP 10 to 50 NO/NC (1 = vacuum generator; 2 = suction pad; 3 = ventilation)

