

Dystrybutor:

ARA

PNEUMATIK

53-012 Wrocław tel. 71 364 72 85
ul. Wyścigowa 38 fax 71 364 72 83

www.arapneumatik.pl

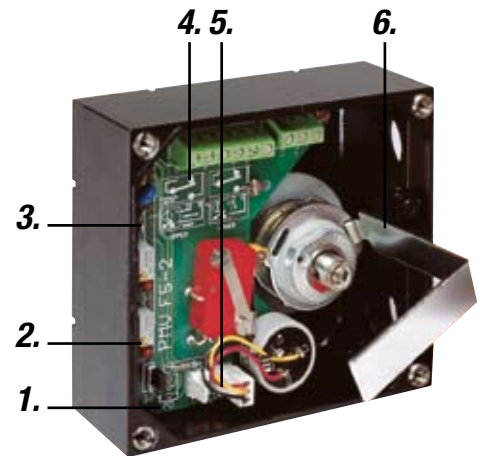


F5 Feedback unit

Product
Information



1. Jumper for field selection of 90, 60, 45 and 30 deg, operation for 4–20 mA position transmitter.
2. LEDs indicate 4 and 20 mA output.
3. Test outlet for 4–20 mA position transmitter.
4. Info printed on the PC board.
5. Field selectable direction of 4–20 mA of output signal, direct or reverse.
6. Easy to set cams with no fixed increments for true 100% resolution.



F5 Feedback Unit

F5/F5-EX

- Mounts on P5/EP5 without additional mounting bracket.
- Bright visible, flat or dome position indicator.
- Easy to set stepless cams – 100% resolution.
- Switches, mechanical or proximity, P+F Namur sensors.
- Potentiometer or 4–20 mA position transmitter.
- Sturdy, reliable and simple design.
- Explosion proof or intrinsically safe enclosure.
- ATEX, CSA and FM approvals



Easy to install



Install coupling



Place F5 unit on top, tighten screws



Install indicator and cover



Technical data

General

Conduit entries	2x1/2 NPT or 2xPG 13.5 (M20)
Housing material	Die cast aluminum
Surface treatment	ED painting
Weight	0,7 kg (lbs 1,5) Ex proof = 2,1 kg (lbs 4,6)
Mounting	Direct on P5/EP5 and VDI/VDE 3845
Fasteners	Stainless A2/A4
Terminals	2,5 mm ² (AWG 14) Screw terminals
Enclosure	IP66, NEMA 4
Temp*	-40°C to 85°C (-40°F to 185°F)

Switches, mechanical

Type	Mechanical SPDT V3
Rating	6/2,5A 250 V AC

NAMUR sensors

Type	P+F NJ2 V3N
Load Current	≤ 1 mA ≥ 3 mA
Voltage range	5–25 V DC
Hysteresis	0,2%
Temp	-25°C to 85°C (-4°F to 185°F)

Proximity switches

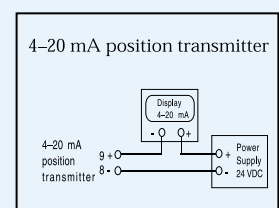
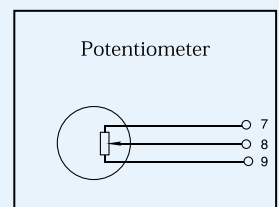
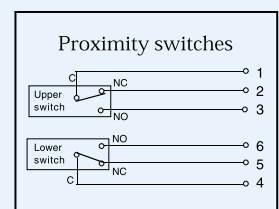
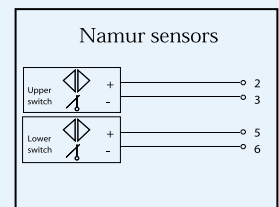
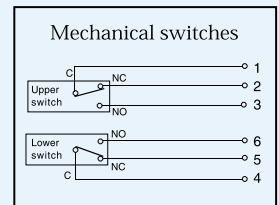
Contact rating	2 W or 2 VA @ 30 V DC/V AC, 0.1 A
Maximum operating time	0.5 milliseconds
Breakdown voltage	200 V DC
Contact resistance	0.2 Ohms
Switch type	SPDT hermetically sealed in one unit
Mechanical and electrical life	> 10 million operations

Potentiometer

Output	5kΩ (4kΩ at 90°)
Elements	Conductive plastic
Power rating at 70°	1 W
Linearity	1%
Resolution	Essentially infinite

4–20 mA position transmitter

Power supply	Max. 28 V DC
Output signal	4–20 mA
LED indication at 4 mA	±1%
LED indication at 20 mA	±1%
Resolution	Infinite
Minimum rotation travel	30°
Maximum rotation travel	90° (270° option)
Linearity	<1% of full scale
Hysteresis	<0,5% of full scale
Output current limit	24 mA DC
Load impedance	800Ω at 24 V DC



* Not NAMUR sensors



Modular



F5 mounted on actuator for on/off applications



F5 mounted on positioner P5



F5 mounted on positioner EP5

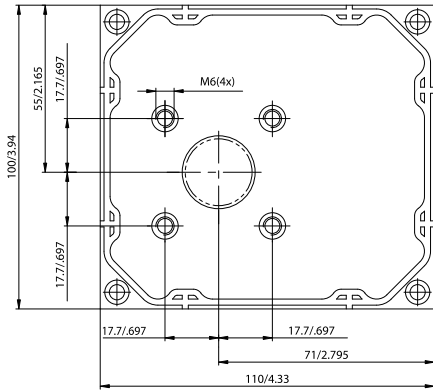
F5 Series Coding

Model (for installation on P5/EP5 only)	
F5G	F5 with PG 13.5 connections
F5N	F5 with NPT 1/2" connections
Surface treatment	
U	Epoxy, ED
M	Tufram
Switches	
MEC	2 x SPDT switches
NAM	2 x P+F Namur Sensors
PXY	2 x Proximity switches
Feedback	
XXX	None
P0T	Potentiometer 5 kOhm
P1K	Potentiometer 1 kOhm
P18	Potentiometer 180 deg
420	4-20 mA transmitter
T18	4-20 mA transmitter, 180 deg
T27	4-20 mA transmitter, 270 deg
Spindle	
00	Drive coupling for P5/EP5
Seals	
Z	Nitrile, NBR
Model	
F5IS	F5 Intrinsically safe
F5EX	F5 Explosion proof
Electrical connections	
G	PG13.5, Not F5EX
Z	1/2" NPT
Surface treatment	
U	Epoxy, ED
M	Tufram
Switches	
MEC	2 x SPDT switches
NAM	2 x P+F Namur Sensors
PXY	2 x Proximity switches
Feedback	
XXX	None
P0T	Potentiometer 5 kOhm
P1K	Potentiometer 1 kOhm
P18	Potentiometer 180 deg
420	4-20 mA transmitter
T18	4-20 mA transmitter, 180 deg
T27	4-20 mA transmitter, 270 deg
Spindle	
00	Drive coupling for P5/EP5
23	01 to 39, see dwg SPNDLS_P5
Frontcover, indicator	
PV9DA	90 deg, direct arrow indicator
PV3RH	30 deg, reverse, Dome indicator
Seals	
Z	Nitrile, NBR

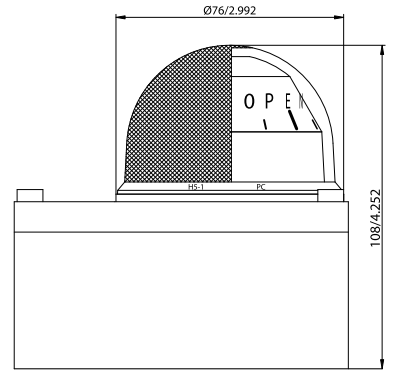
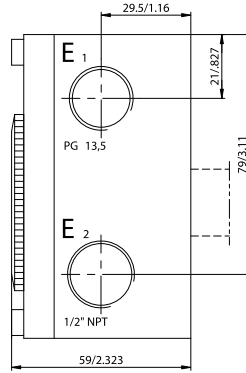
Example
F5ISNU-MEC420-00-PV9DA-Z

(*For 30, 45, 60 deg rotation, change PV9 to PV3, PV4 or PV6 D=direct, R=reverse, A=arrow indicator, B=blind, H=dome)

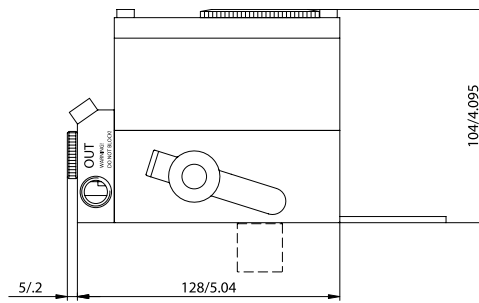
Dimensions drawings (mm)



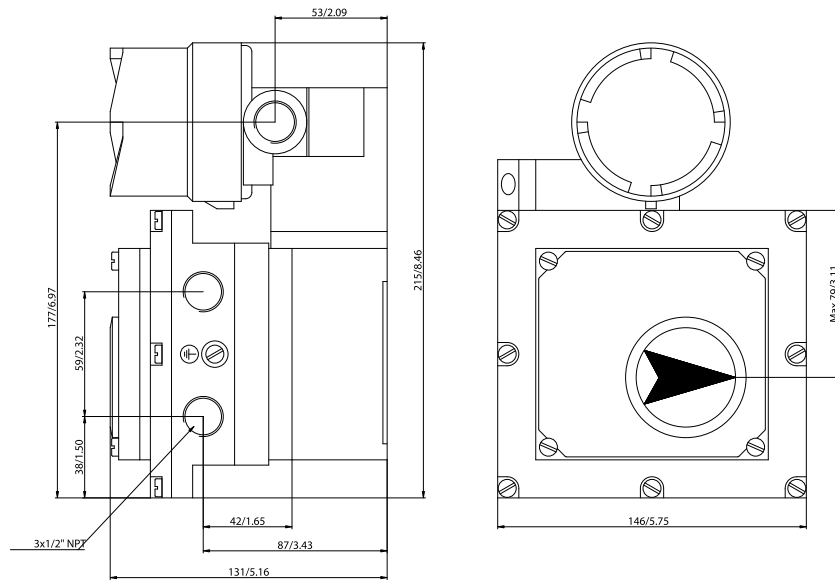
F5



F5 with Dome H5



F5 on EP5



F5EX on EP5EX



p/n: FCD PMENBR0005-02

Dystrybutor:



ARA
PNEUMATIK

53-012 Wrocław tel. 71 364 72 85
ul. Wyścigowa 38 fax 71 364 72 83

www.arapneumatik.pl


Hazardous Locations



Intrinsically safe:

ATEX  II 1 G, EEx ia IIC T4 LCIE 95.D6 IIIX CSA, FM Class 1, Div 1, Group C, D T3C ATEX

Explosion proof:

ATEX  II 1 G, EEx d IIB+H2, T4-T6 LCIE 97.D6140 IIIX CSA, FM Div 1, Class 1,2 & 3 Group BCDEF6 T4-T6, ATEX

Flowserve Corporation has established industry leadership in the design and manufacture of its products. When properly selected, this Flowserve product is designed to perform its intended function safely during its useful life. However, the purchaser or user of Flowserve products should be aware that Flowserve products might be used in numerous applications under a wide variety of industrial service conditions. Although Flowserve can (and often does) provide general guidelines, it cannot provide specific data and warnings for all possible applications. The purchaser/user must therefore assume the ultimate responsibility for the proper sizing and selection, installation, operation, and maintenance of Flowserve products. The purchaser/user should read and understand the Installation and Maintenance (I & M) instructions included with the product, and train its employees and contractors in the safe use of Flowserve products in connection with the specific application.

While the information and specifications contained in this literature are believed to be accurate, they are supplied for informative purposes only and should not be considered certified or as a guarantee of satisfactory results by reliance thereon. Nothing contained herein is to be construed as a warranty or guarantee, express or implied, regarding any matter with respect to this product. Because Flowserve is continually improving and upgrading its product design, the specifications, dimensions and information contained herein are subject to change without notice. Should any question arise concerning these provisions, the purchaser/user should contact Flowserve Corporation at any one of its worldwide operations or offices.

©2007 Flowserve Corporation, Irving, Texas, USA. Flowserve and PMV are registered trademarks of Flowserve Corporation.

Palmstierna International AB

Korta Gatan 9
SE-171 54 Solna
SWEDEN
Tel: +46 (0) 8 555 106 00
Fax: +46 (0) 8 555 106 01
E-mail: infopmv@flowserve.com

Germany

Flowserve
Sperberweg 16
D-41468 Neuss
GERMANY
Tel: +49 (0) 2131 795 74 80
Fax: +49 (0) 2131 795 74 99
E-mail: pmvgermany@flowserve.com

UK

Flowserve
Abex Road
Newbury, Berkshire, RG14 5EY
UK
Tel: +44 (0) 1635 46 999
Fax: +44 (0) 1635 36 034
E-mail: pmvukinfo@flowserve.com

Italy

Flowserve Spa
Via Prealpi, 30
20032 Cormano (Milano)
ITALY
Tel: +39 (0) 2 663 251
Fax: +39 (0) 2 615 18 63
E-mail: infoitaly@flowserve.com

USA, Mexico

PMV-USA
1440 Lake Front Circle, Unit 160
The Woodlands, TX 77380
USA
Tel: +1 281 292 7500
Fax: +1 281 292 7760
E-mail: pmvusa@flowserve.com

Canada

Cancoppas Limited
2595 Dunwin Drive, Unit 2
Mississauga, Ont L5L 3N9
CANADA
Tel: +1 905 569 6246
Fax: +1 905 569 6244
E-mail: controls@cancoppas.com

Asia Pacific Headquarters

Flowserve Pte Ltd.
No. 12 Tuas Avenue 20
REPUBLIC OF SINGAPORE 638824
Tel: +65 (0) 687 98900
Fax: +65 (0) 686 24940

South Africa

Flowserve
Unit 1, 12 Director Road
Spartan Ext. 2
1613 Kempton Park, Gauteng
SOUTH AFRICA
Tel: +27 (0) 11 397 3150
Fax: +27 (0) 11 397 5300

The Netherlands

Fabromatic BV
Rechtzaad 17
4703 RC Roosendaal
THE NETHERLANDS
Tel: +31 (0) 30 6771946
Fax: +27 (0) 30 6772471
E-mail: fcbinfo@flowserve.com

China

Flowserve
Hanwei Building
No. 7 Guanghua Road
Chao Yang District
100004 Beijing
CHINA
Tel: +86 (10) 6561 1900
Fax: +86 (10) 6561 1899

www.pmv.nu