



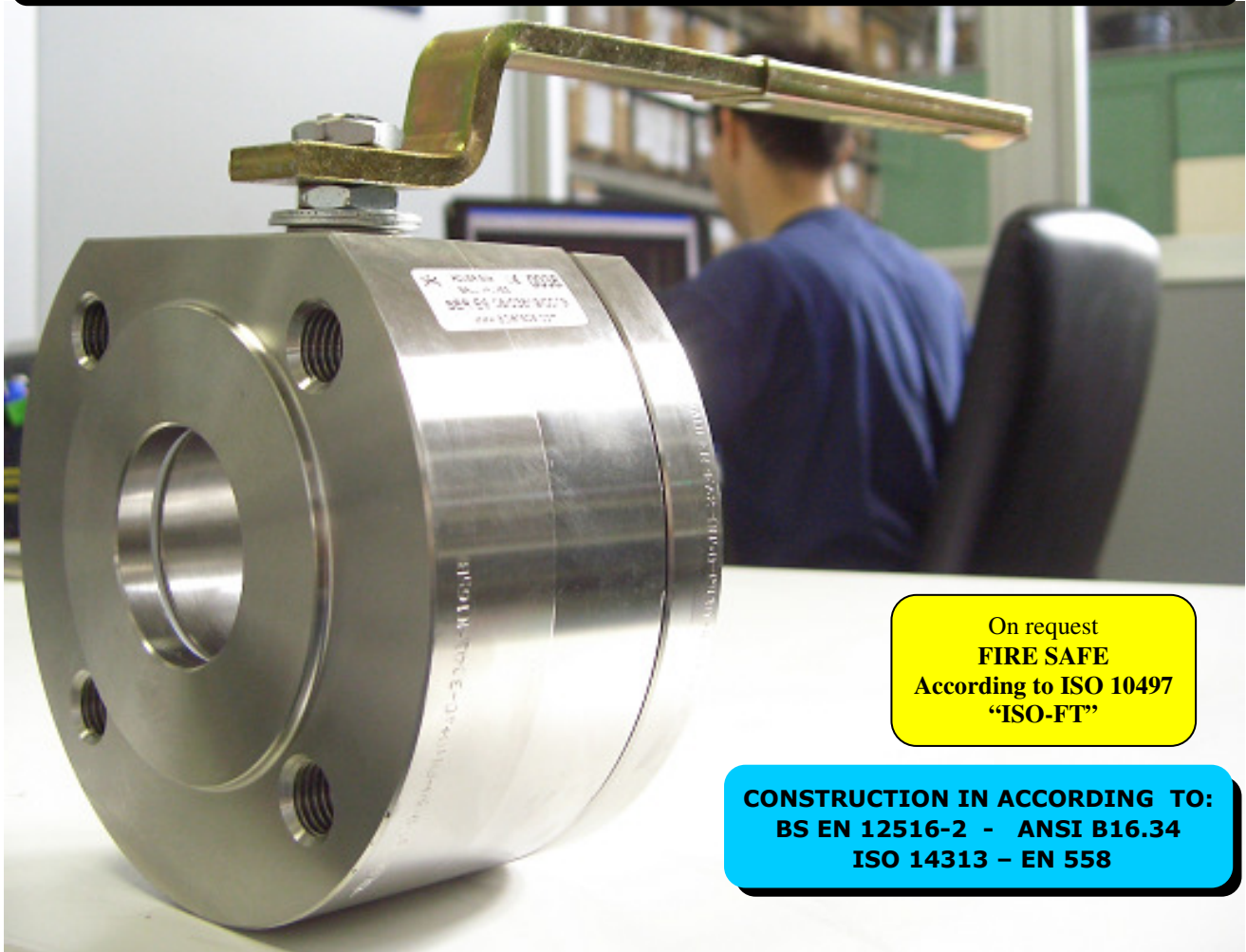
ISO 9001:2008 by L.R.
PED DIR. 97/23/EC by L.R.
ATEX DIR. 94/9/EC by B.V.
FIRE SAFE EXECUTION by L.R.
ISO 15848 by TÜV
ANTISTATIC DEVICE by L.R.
FIRE SAFE TESTED ISO 10497 by L.R.

WWW.ADLERSPA.COM

TYPE
FA2
PN 10 ÷ 40
ANSI 150 ÷ 300

BALL VALVES
"WAFER TYPE" FULL BORE SPLIT BODY
ROBINETS A BOULE
"WAFER" PASSAGE INTEGRAL 2 PIECES
FLANSCHKUGELHÄHNE IN "KOMPAKTBAUWEISE"
VOLLER DURCHGANG ZWEIFTEILIGES GEHÄUSE

ISO nbr° LRC 0160281 QSM issued by L.R.Q.A. PED nbr° COV 0212112/01 issued by L.R.V.
ATEX nbr° 40.2003.4392 issued by B.V. ISO 15848 nbr° I-148466/1-/2 issued by TÜV



On request
FIRE SAFE
According to ISO 10497
"ISO-FT"

CONSTRUCTION IN ACCORDING TO:
BS EN 12516-2 - ANSI B16.34
ISO 14313 - EN 558

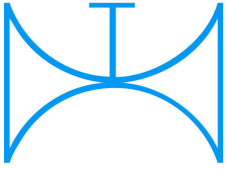
PRZEDSTAWICIEL W POLSCE:

ARA
PNEUMATIK

53-012 Wrocław tel. 71 364 72 85
ul. Wyścigowa 38 fax 71 364 72 83

www.arapneumatik.pl

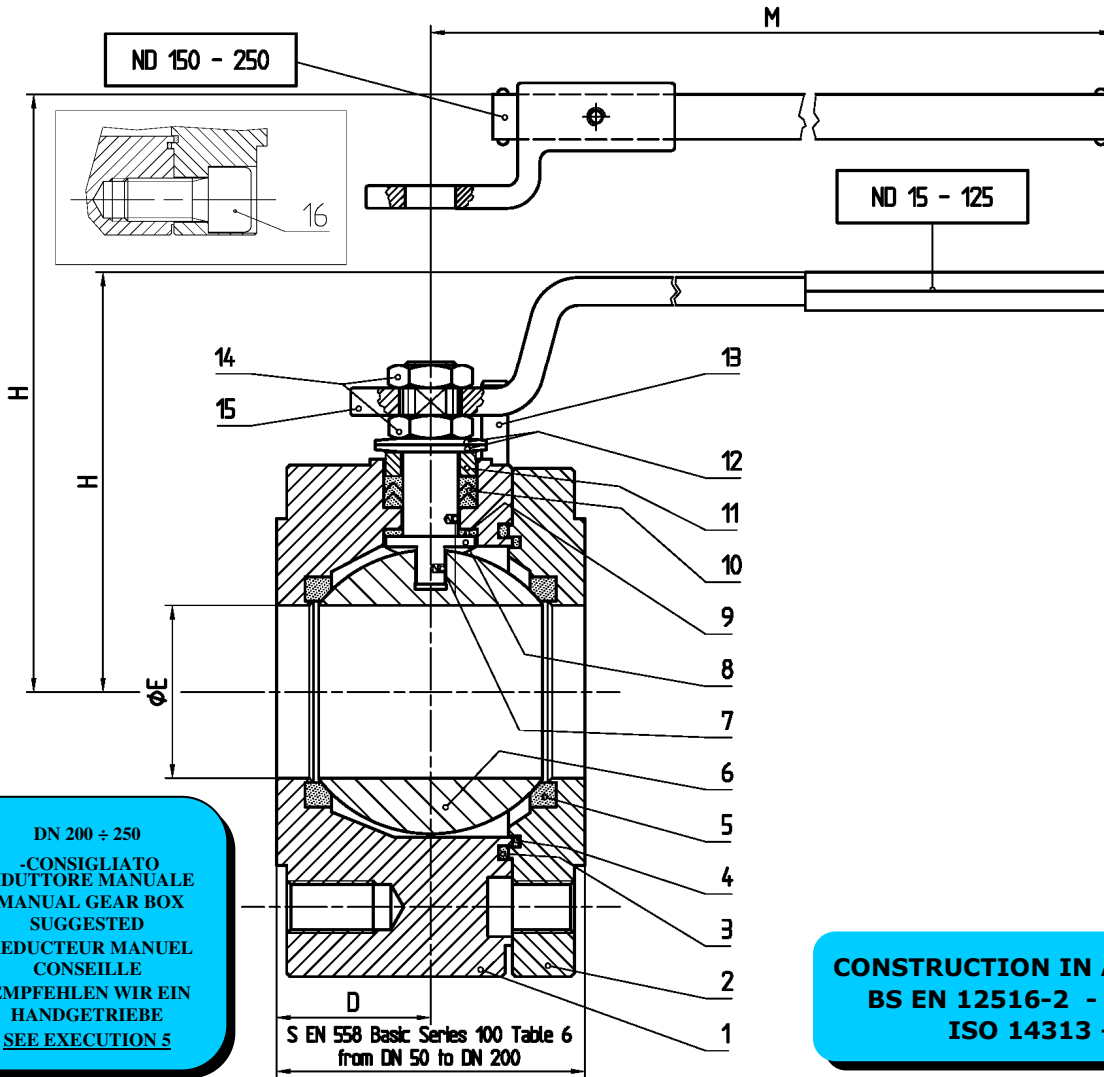




ISO 9001:2008 by L.R.
 PED DIR. 97/23/EC by L.R.
 ATEX DIR. 94/9/EC by B.V.
 FIRE SAFE EXECUTION by L.R.
 ISO 15848 by TÜV
 ANTISTATIC DEVICE by L.R.
 FIRE SAFE TESTED ISO 10497 by L.R.

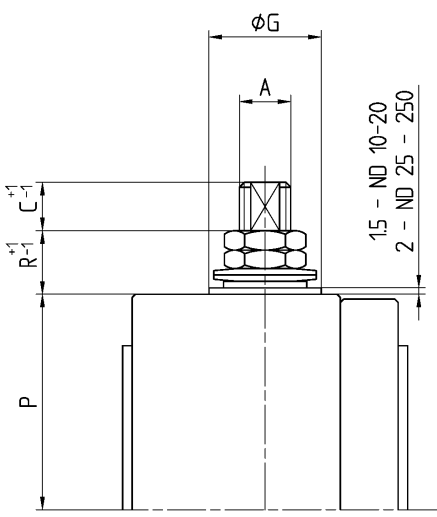
TYPE
FA2
 PN 10 ÷ 40
 ANSI 150 ÷ 300

VALVOLA A SFERA "CORPO PIATTO" SPLIT BODY PASSAGGIO TOTALE
 BALL VALVES "WAFFER TYPE" SPLIT BODY FULL BORE
 ROBINETS A BOULE "WAFER" PASSAGE INTEGRAL 2 PIECES
 FLANSCHKUGELHÄHNE IN "KOMPAKTBAUWEISE" VOLLER DURCHGANG ZWEITEILIGES GEHÄUSE

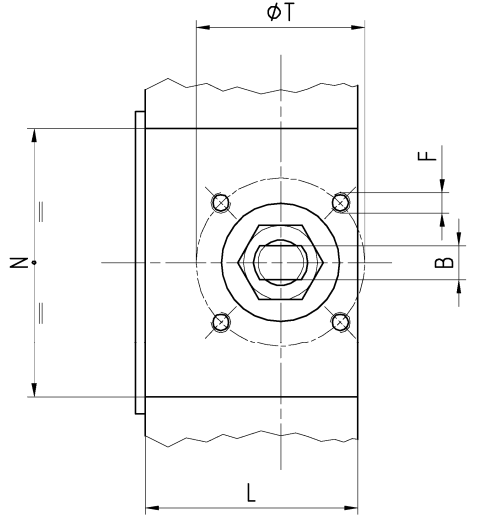


DN 200 ÷ 250
 -CONSIGLIATO
 RIDUTTORE MANUALE
 -MANUAL GEAR BOX
 SUGGESTED
 -REDUCTEUR MANUEL
 CONSEILLE
 -EMPFEHLEN WIR EIN
 HANDGETRIEBE
 SEE EXECUTION 5

CONSTRUCTION IN ACCORDING TO:
 BS EN 12516-2 - ANSI B16.34
 ISO 14313 - EN 558



• ACCOPIAMENTO VALVOLA
 ATTUATORE
 • CONNECTION VALVE
 ACTUATOR
 • ACCOUPLEMENT ROBINET-
 ACTIONNEUR
 • ZUSAMMENBAU KUGELHAHN
 ANTRIEB
ISO-5211



N.	DESCRIZIONE DESCRIPTION BESCHREIBUNG	MATERIALI MATERIALS MATERIAUX WERKSTOFFE
1	CORPO BODY CORPS KÖRPER	ASTM A105 ASTM A 182 F316- A479 S31600 ASTM A 182 F304- A479 S30400
2	LATERALE END LATERAL GEGENGEHÄUSE	ASTM A105 ASTM A 182 F316- A479 S31600 ASTM A 182 F304- A479 S30400
3*	O-RING	FKM - (VITON)
4*	ANELLO SEAL ANNEAU DICHTUNGSRING	P.T.F.E.
5*	SEDE SEAT SIEGE SITZRING	P.T.F.E. / R.P.T.F.E. (OPTIONAL)
6	SFERA BALL BOULE KUGEL	ASTM A182 F304-A479 S30400 ASTM A351 CF8 ASTM A182 F316-A479 S31600 ASTM A351 CF8M
7	DISPOSITIVO ANTISTATICO ANTISTATIC DEVICE CONTACT ANTISTATIQUE ANTISTATIK VORRICHTUNG	ASTM A479 S31600
8	STELO STEM TIGE SPINDEL	ASTM A182 F304 ≥ DN 40 A479 S30400 ASTM A182 F316 A479 S31600

N.	DESCRIZIONE DESCRIPTION BESCHREIBUNG	MATERIALI MATERIALS MATERIAUX WERKSTOFFE
9*	BUSSOLA STEM SEAL JOINT TIGE UNTERE SPINDELABDICHTUNG	P.T.F.E.
10*	PACCO A "V" CHEVRON RINGS JOINT A "V" 3 FACHE DACHMANSCHETTE	P.T.F.E. / GRAFITE P.T.F.E. / GRAPHITE P.T.F.E. / GRAPHITE P.T.F.E. / GRAPHIT
11	PREMIBUSSOLA PRESSING BUSH PRESSE RONDELLE STOPFBUCHSDRUCKRING	ASTM A479 S31600
12	MOLLE A TAZZA SPRING WASHERS RONDELLES BELLEVILLE TELLERFEDERN	C72/50Cr V ₄ ZINCATO - GALVANIZED ZINGUE - VERZINKT
13	VITE DI FERMO E FERMO PIN AND STOP PIN PLONT ET PLOT D'ARRET ANSCHLAGBOLZEN	UNI 3740 - 8.8 ZINCATO - GALVANIZED ZINGUE - VERZINKT
14	DADO - CONTRODADO NUT - LOCK NUT ECROU - CONTRE-ECROU MUTTER - KONTERMUTTER	UNI 3740 - 6S ZINCATO - GALVANIZED ZINGUE - VERZINKT
15	LEVA WRENCH LEVIER HANDHEBEL	UNI 5946 Fe 37 ZINCATO - GALVANIZED ZINGUE - VERZINKT
16	VITE SCREW VIST SCHRAUBE	UNI 3740-8.8 ZINCATO-GALVANIZED- ZINGUE-VERZINKT

* RICAMBI CONSIGLIATI - RECOMMENDED SPARE PARTS - PIECES DE RECHANGE CONSEILLEES - ERSATZTEIL EMPFEHLUNG

DIMENSIONI - DIMENSION - DIMENSIONS - ABMESSUNGEN

DN	15	20	25	32	40	50	65	80	100	125	150	200	250	
A	10	10	12	12	16	16	22	22	30	30	42	48	56	
B	6	6	8	8	10	10	14	14	18	18	28	32	36	
C	7	7	10	10	10	10	12	12	17	18	19	20	20	
D	17,5	17,5	21,5	25,5	32	S/2	S/2	S/2	S/2	S/2	S/2	S/2	S/2	
E	15	19	25	30	38	51	64	76	101	118	152	203	254	
F	M5	M5	M5	M5	M6	M6	M8	M8	M8	M10	M12	M16	M20	
ISO	F03	F03	F03	F03	F05	F05	F07	F07	F07	F10	F12	F14	F16	
G	25	25	25	25	35	35	55	55	55	70	85	100	130	
H	66	68	85	91	110	120	144	152	174	188	256	294	343	
L	33	33	36,5	41	52	62	79	88	105	133	150	228	257	
M	145	145	185	185	280	280	370	370	470	650	750	900	1000	
N	69	78	81	105	81	102	85	80	86	112	110	95	150	
P	32,5	35	41	46,5	63	65	82	90,5	99,5	114	144	182	225,5	
R	8	8	17	17	13	21	24	24	27	26	34	37	40	
P			42,5		63	74,5	87	95	108	122,5	125	144	183	234
R			17		13	11	19	19	16	16	14	34	36	31
S	53	53	57	65	79	84	103	120	154	182	234	310	314*	
T	36	36	36	36	50	50	70	70	70	102	125	140	165	
Kg	2,3	2,9	3,9	6,1	9,1	11,5	18	23,5	35	51	90	121	180	

- DATI E CARATTERISTICHE SOGGETTI A VARIAZIONI SENZA PREAVVISO
- SPECIFICATIONS SUBJECT TO MODIFICATION WITHOUT PRIOR NOTICE
- TOURS DROITS DE MODIFICATION RESERVES
- KONSTRUKTIONSÄNDERUNGEN VORBEHALTEN

PN 40

PN 10 ÷ 40 - ANSI 150

ANSI 300

DN 15 ÷ 40 OPTIONAL

*Per PN 40 S = 340





ISO 9001:2008 by L.R.
 PED DIR. 97/23/EC by L.R.
 ATEX DIR. 94/9/EC by B.V.
 FIRE SAFE EXECUTION by L.R.
 ISO 15848 by TÜV
 ANTISTATIC DEVICE by L.R.
 FIRE SAFE TESTED ISO 10497 by L.R.

TYPE
FA2
 PN 10 ÷ 40
 ANSI 150 ÷ 300

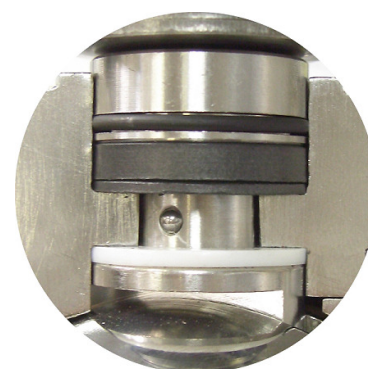
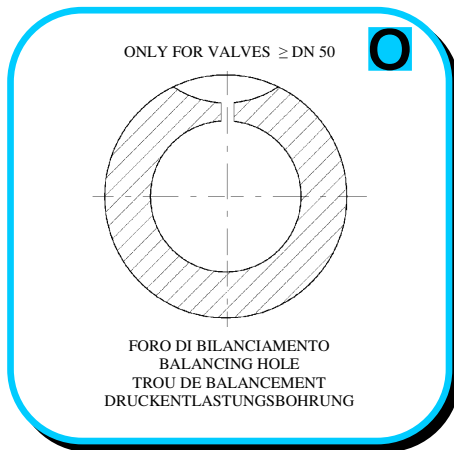
VALVOLA A SFERA "CORPO PIATTO" PASSAGGIO TOTALE
 BALL VALVES "WAFER TYPE" FULL BORE

ROBINETS A BOULE "WAFER" PASSAGE INTEGRAL
 FLANSCHKUGELHÄHNE IN "KOMPAKTBAUWEISE" VOLLER DURCHGANG

▪ ESECUZIONI ▪ EXECUTIONS ▪ EXECUTIONS ▪ AUSFÜHRUNGEN



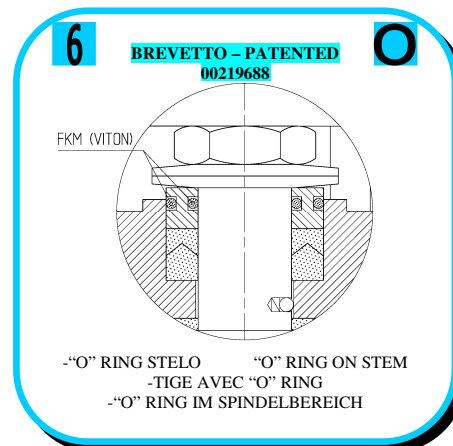
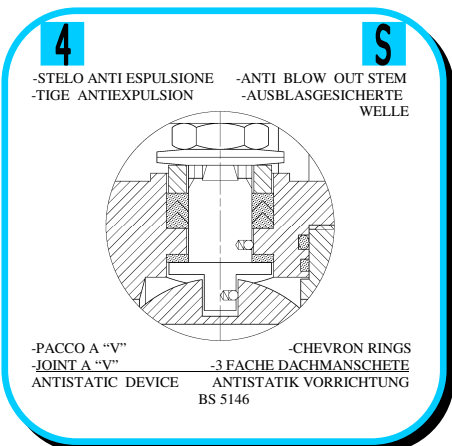
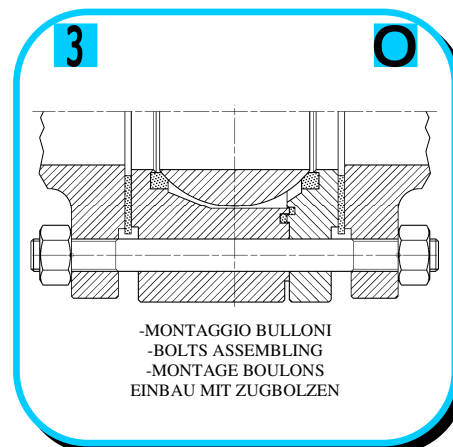
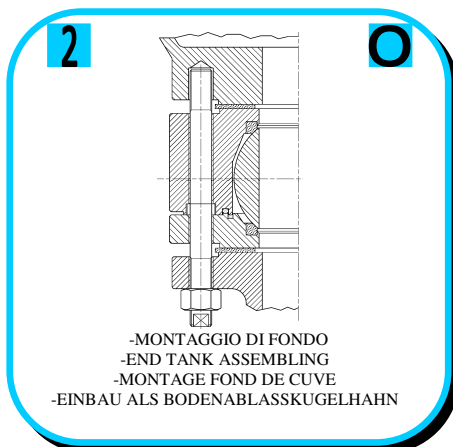
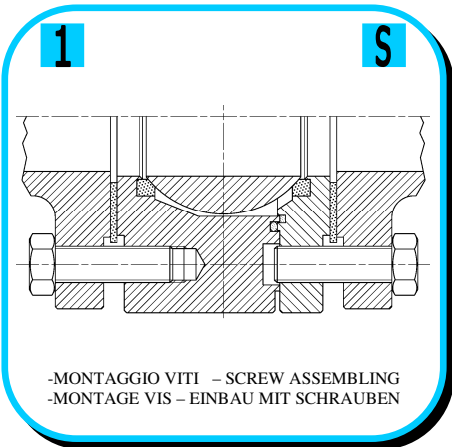
EXECUTION 4 - 12

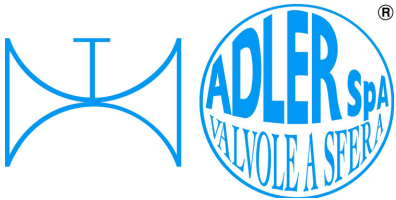


EXECUTION 6 - 16

S STANDARD

O OPTIONAL





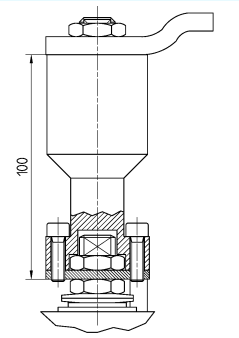
ISO 9001:2008 by L.R.
 PED DIR. 97/23/EC by L.R.
 ATEX DIR. 94/9/EC by B.V.
 FIRE SAFE EXECUTION by L.R.
 ISO 15848 by TÜV
 ANTISTATIC DEVICE by L.R.
 FIRE SAFE TESTED ISO 10497 by L.R.

TYPE
FA2
 PN 10 ÷ 40
 ANSI 150 ÷ 300

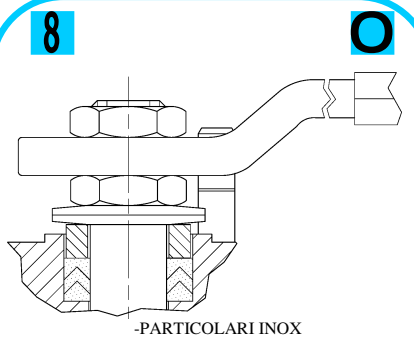
VALVOLA A SFERA "CORPO PIATTO" PASSAGGIO TOTALE
 BALL VALVES "WAFER TYPE" FULL BORE

ROBINETS A BOULE "WAFER" PASSAGE INTEGRAL
 FLANSCHKUGELHÄHNE IN "KOMPAKTBAUWEISE" VOLLER DURCHGANG

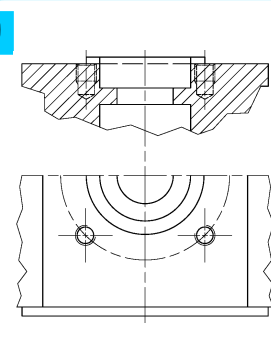
• ESECUZIONI • EXECUTIONS • EXECUTIONS • AUSFÜHRUNGEN

7 

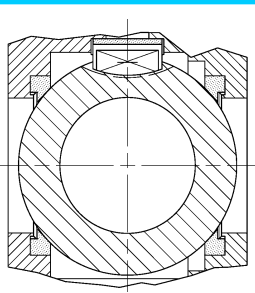
-PROLUNGA STELO -STEM EXTENSION
 -TIGE PROLONGEE -SPINDELVERLÄNGERUNG

8 

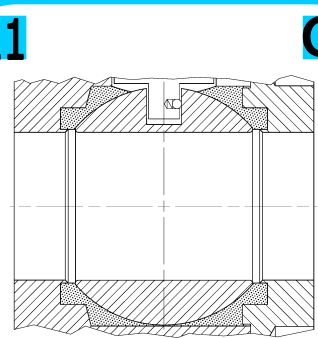
-PARTICOLARI INOX
 -STAINLESS STEEL DETAILS
 -ACCESSOIRES EN INOX
 -EDELSTHALTEILE

9 

-ATTACCO "ISO" -"ISO" FASTENING
 -SYSTEM "ISO" -ANSCHLUSS "ISO"

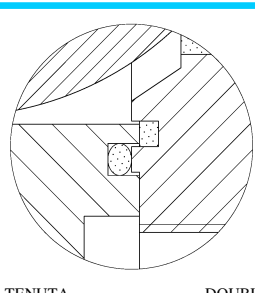
10 

DN 15 ÷ 200
 -SFERA CONTENUTA -CONTENTS BALL
 -BOULE CONTENUE
 -NICHT RAUSRAGENDE KUGEL

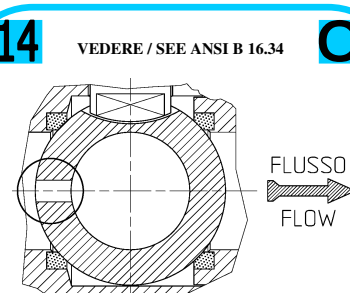
11 

-TENUTE INTEGRALE -POCKETLESS SEATS
 -TENUUE INTEGRALE -TOTRAUMARM
 -P.T.F.E. / R.T.F.E.

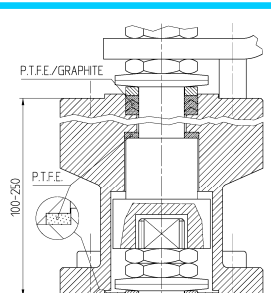
12 FIRE SAFE
 ISO 10497 "ISO-FT"
 (BS 6755 / API 607)


13 

BREVETTO - PATENTED
 00219619
 -DOPPIA TENUTA -DOUBLE SEALS
 -DOUBLE ETANCHEITE -DOPPELTE ABDICHTUNG
 -LATERALE A BATTUTA -METAL BEATING END
 -LATERAL AVEC BATTUE MECANIQUE
 -METALLISCHER ANSCHLAG DES
 GEGENGEHAUSES

14 VEDERE / SEE ANSI B 16.34 

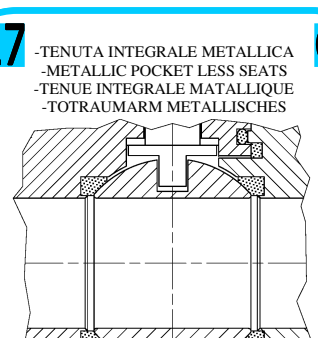
FLUSSO
 FLOW
 -FORO DI SCARICO NELLA SFERA
 -OVERPRESSURE HOLE INTO BALL
 -TROU DECOMPRESSION DANS LA BOULE
 -ENTLASTUNGSBOHRUNG IN KUGEL
 VALVOLA MONO DIREZIONALE
 MONO-DIRECTIONAL VALVE

15 

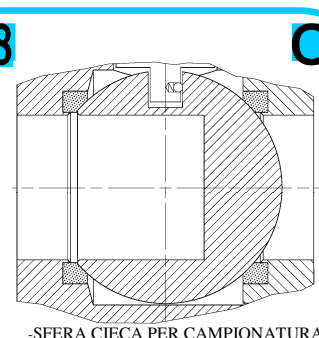
P.T.F.E./GRAPHITE
 P.T.F.E.
 100-250
 -SERVIZIO CRIOGENICO -CRYOGENIC SERVICE
 -SERVICE CRYOGENIQUE
 -TIEFTEMPERATUR SERVICE

16 

-FIRE SAFE ISO FT+ "O" RING STELO
 -FIRE SAFE ISO FT+ "O" RING ON STEM
 -SECURITE FEU ISO FT+ TIGE AVEC "O" RING
 -FEUERSICHERE AUSFÜHRUNG ISO FT +
 "O" RING IM SPINDELBEREICH

17 

-TENUTA INTEGRALE METALLICA
 -METALLIC POCKET LESS SEATS
 -TENUUE INTEGRALE METALLIQUE
 -TOTRAUMARM METALLISCHES

18 

-SFERA CIECA PER CAMPIONATURA
 -BLIND BALL FOR SAMPLING
 -PRISE-ECHANTILLON
 KUGEL FÜR PROBENAHME



**VITI D'ASSEMBLAGGIO PER FA2
ASSEMBLING SCREWS FOR FA2
VIS D'ASSEMBLAGE POUR FA2
MONTAGESCHRAUBEN FÜR FA2**

**TABLE
07**

N° VITI – DIMENSIONE • N° SCREW – DIMENSIONS • N° VIS- DIMENSIONS • N° SCHRAUBEN – ABMESSUNGEN

EUROPEAN NORM

DN PN	10-15	20	25	32	40	50	65	80	100	125	150	200	250
10	8 M12 X30	8 M12 X30	8 M12 X30	8 M12 X30	8 M16 X35	8 M16 X35	8 M16 X40	8 M16 X40 * 16 M16 X40	16 M16 X40	16 M16 X45	16 M20 X45	16 M20 X50	
16	8 M12 X30	8 M12 X30	8 M12 X30	8 M12 X30	8 M16 X35	8 M16 X35	8 M16 X40	8 M16 X40	16 M16 X40	16 M16 X45	16 M20 X45	24 M20 X50	
25	8 M12 X30	8 M12 X35	8 M12 X35	8 M12 X35	8 M16 X40	8 M16 X40	8 M16 X40	16 M16 X45	16 M16 X45	16 M20 X50	16 M24 X55	24 M24 X60	
40	8 M12 X30	8 M12 X35	8 M12 X35	8 M12 X35	8 M16 X40	8 M16 X40	8 M16 X40	16 M16 X45	16 M16 X45	16 M20 X50	16 M24 X55	24 M24 X65	

* N° 8 per UNI 2223/2229

ANSI METRIC

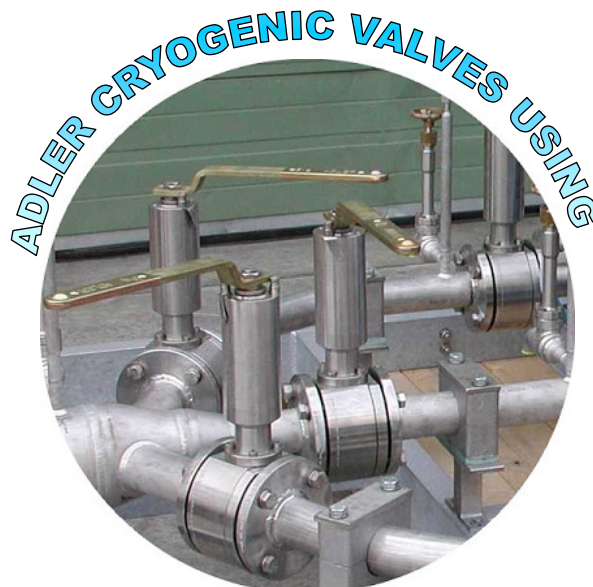
(STANDARD ADLER)

Ø Rating	1/2"	3/4"	1"	1 1/4"	1 1/2"	2"	2 1/2"	3"	4"	5"	6"	8"	10"
150	8 M14 X30	8 M14 X30	8 M14 X30	8 M14 X45	8 M14 X35	8 M16 X40	8 M16 X40	8 M16 X45	16 M16 X45	16 M20 X50	16 M20 X50	16 M20 X50	
300	8 M14 X30	8 M16 X30	8 M16 X35	8 M16 X40	8 M20 X45	16 M16 X40	16 M20 X50	16 M20 X50	16 M20 X55	16 M20 X60	24 M20 X60	24 M20 X60	

ANSI B1.1 UNC

(ON REQUEST)

Ø Rating	1/2"	3/4"	1"	1 1/4"	1 1/2"	2"	2 1/2"	3"	4"	5"	6"	8"	10"
150	8 1/2 X 1 1/4	8 1/2 X 1 1/4	8 1/2 X 1 1/4	8 1/2 X 1 1/4	8 1/2 X 1 1/2	8 5/8 X 1 1/2	8 5/8 X 1 3/4	8 5/8 X 1 3/4	16 5/8 X 1 3/4	16 3/4 X 2	16 3/4 X 2	16 3/8 X 2	
300	8 1/2 X 1 1/4	8 5/8 X 1 1/4	8 5/8 X 1 1/2	8 5/8 X 1 1/2	8 3/4 X 1 3/4	16 5/8 X 1 3/4	16 3/4 X 2	16 3/4 X 2	16 3/4 X 2 1/4	16 3/4 X 2 1/4	24 3/4 X 2 1/4	24 7/8 X 2 3/4	



PRZEDSTAWICIEL W POLSCE:

ARA
PNEUMATIK

53-012 Wrocław tel. 71 364 72 85
ul. Wyscigowa 38 fax 71 364 72 83

www.arapneumatik.pl



ADLER SpA – VALVOLE A SFERA
20010 S. STEFANO TICINO (MI) ITALY V.le BORLETTI, 14 Tel. +39/02974842.11 FAX +39/0297271698
E-mail: adler@adlerspa.com <http://www.adlerspa.com>