

ISO 9001:2008 by L.R.
PED DIR. 97/23/EC by L.R.
ATEX DIR. 94/9/EC by B.V.
FIRE SAFE EXECUTION by L.R.
ISO 15848 by TÜV
ANTISTATIC DEVICE by L.R.
FIRE SAFE TESTED ISO 10497 by L.R.
WWW.ADLERSPA.COM

TYPE
FP3
PN 20 - 100

BALL VALVES "3 PIECES" FULL BORE
ROBINETS A BOULE
"3 PIECES" PASSAGE INTEGRAL
KUGELHÄHNE "3 TEILIG"
VOLLER DURCHGANG

ISO nbr° LRC 0160281 QMS issued by L.R.Q.A. PED nbr° COV 0212112/01 issued by L.R.V.
ATEX nbr° 40.2003.4392 issued by B.V. ISO 15848 nbr° I-148466/1-/2 issued by TÜV



On request
FIRE SAFE
According to ISO 10497
"ISO-FT"

CONSTRUCTION IN ACCORDING TO:
BS EN 12516-2 - DIN 3202 M3
ISO 14313

FP3/08 RIPRODUZIONE VIETATA - COPYRIGHT

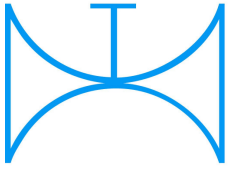
PRZEDSTAWICIEL W POLSCE:

ARA
PNEUMATIK

53-012 Wrocław tel. 71 364 72 85
ul. Wyścigowa 38 fax 71 364 72 83

www.arapneumatik.pl

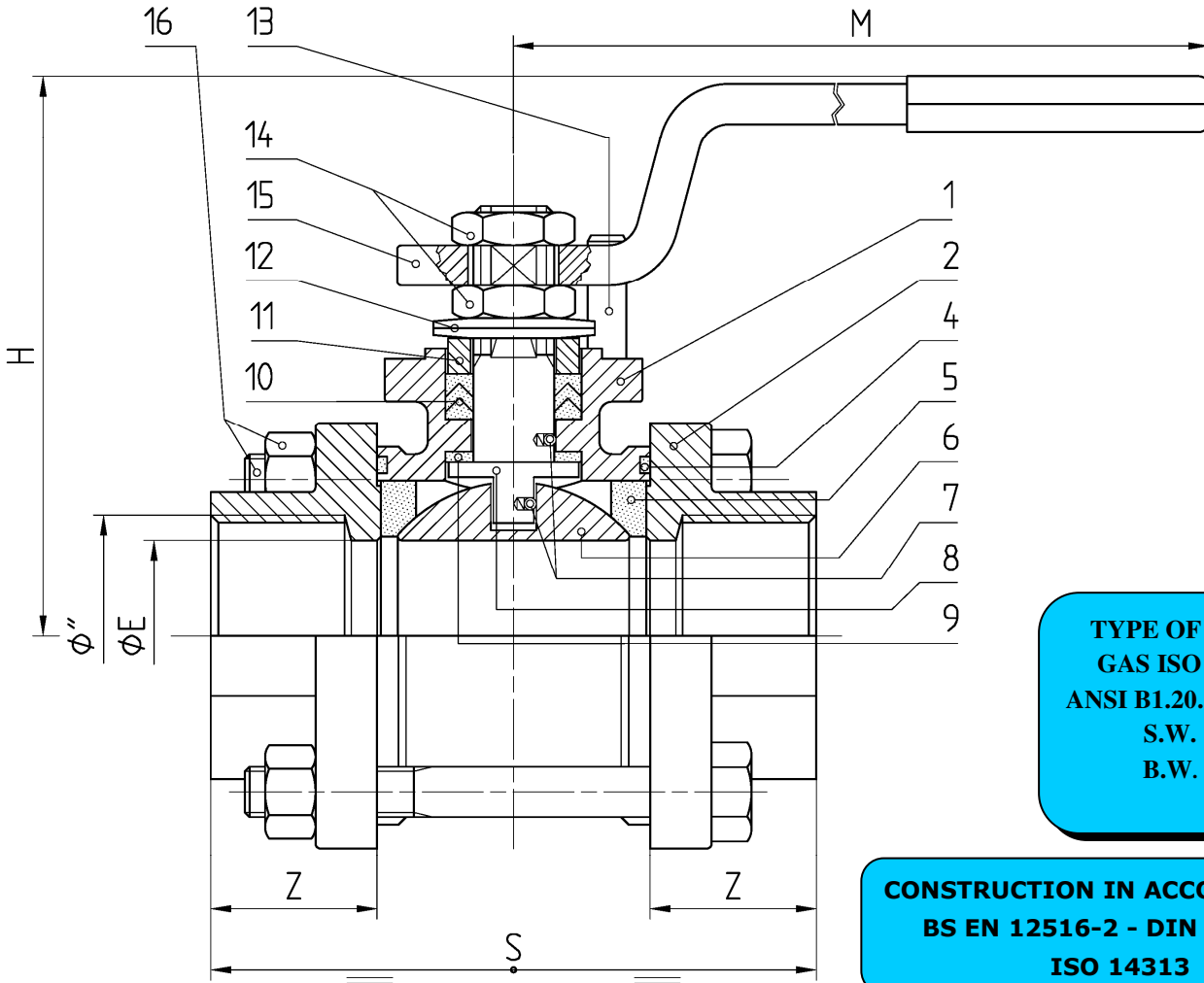




ISO 9001:2008 by L.R.
 PED DIR. 97/23/EC by L.R.
 ATEX DIR. 94/9/EC by B.V.
 FIRE SAFE EXECUTION by L.R.
 ISO 15848 by TÜV
 ANTISTATIC DEVICE by L.R.
 FIRE SAFE TESTED ISO 10497 by L.R.

TYPE
FP3
 PN 20 - 100

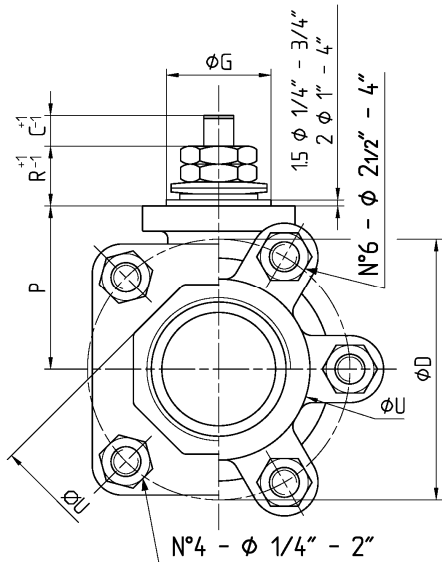
VALVOLA A SFERA "3 PEZZI" PASSAGGIO TOTALE
 BALL VALVES "3 PIECE" FULL BORE
 ROBINETS A BOULE "3 PIECES" PASSAGE INTEGRAL
 KUGELHÄHNE "3 TEILIG" VOLLER DURCHGANG



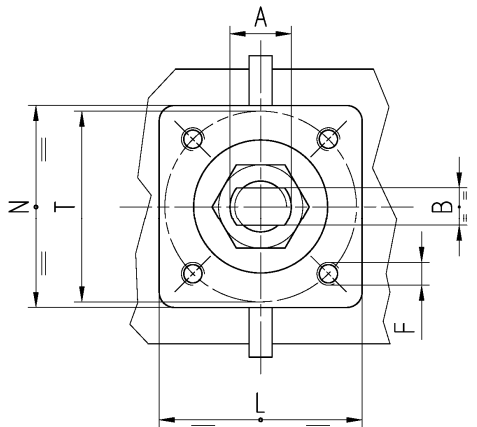
TYPE OF ϕ":
 GAS ISO 7-1
 ANSI B1.20.1 NPT
 S.W.
 B.W.

CONSTRUCTION IN ACCORDING TO:
 BS EN 12516-2 - DIN 3202 M3
 ISO 14313

FP3/08 RIPRODUZIONE VIETATA - COPYRIGHT



• ACCOPIAMENTO VALVOLA
 ATTUATORE
 • CONNECTION VALVE
 ACTUATOR
 • ACCOUPLEMENT ROBINET-
 ACTIONNEUR
 • ZUSAMMENBAU KUGELHAHN
 ANTRIEB
ISO-5211



N.	DESCRIZIONE DESCRIPTION BESCHREIBUNG	MATERIALI MATERIALS MATERIAUX WERKSTOFFE	N.	DESCRIZIONE DESCRIPTION BESCHREIBUNG	MATERIALI MATERIALS MATERIAUX WERKSTOFFE
1	CORPO BODY CORPS KÖRPER	ASTM A 216 WCB (BRUNITO - PHOSPHATE) ASTM A 351 CF8M	9*	BUSSOLA STEM SEAL JOINT TIGE UNTERE SPINDELABDICHTUNG	P.T.F.E.
2	LATERALE END LATERAL GEHÄUSEFLANSCH	ASTM A 216 WCB (BRUNITO - PHOSPHATE) ASTM A 351 CF8M ASTM A 351 CF3M (TYPE BW)	10*	PACCO A "V" CHEVRON RINGS JOINT A "V" 3 FACHE DACHMANSCHETTE	P.T.F.E. / GRAFITE P.T.F.E. / GRAPHITE P.T.F.E. / GRAPHITE P.T.F.E. / GRAPHIT
3			11	PREMIBUSSOLA PRESSING BUSH PRESSE RONDELLE STOPFBUCHSDRUCKRING	ASTM A 479 S31600
4*	ANELLO SEAL ANNEAU DICHTUNGSRING	P.T.F.E.	12	MOLLE A TAZZA SPRING WASHERS RONDELLES BELLEVILLE TELLERFEDERN	C72/50Cr V ₄ ZINCATO - GALVANIZED ZINGUE - VERZINKT
5*	SEDE SEAT SIEGE SITZRING	P.T.F.E. R.P.T.F.E. (OPTIONAL)	13	VITE DI FERMO E FERMO PIN AND STOP PIN PLOT ET PLOT D'ARRET ANSCHLAGBOLZEN	UNI 3740 - 8.8 ZINCATO - GALVANIZED ZINGUE - VERZINKT
6	SFERA BALL BOULE KUGEL	ASTM A182 F304-A479 S30400 ASTM A351 CF8 ASTM A182 F316-A479 S31600 ASTM A351 CF8M	14	DADO - CONTRODADO NUT - LOCK NUT ECROU - CONTRE-ECROU MUTTER - KONTERMUTTER	UNI 3740 - 6S ZINCATO - GALVANIZED ZINGUE - VERZINKT
7	DISPOSITIVO ANTISTATICO ANTISTATIC DEVICE CONTACT ANTISTATIQUE ANTISTATIK VORRICHTUNG	ASTM A479 S31600	15	LEVA WRENCH LEVIER HANDHEBEL	UNI 5946 Fe 37 ZINCATO - GALVANIZED ZINGUE - VERZINKT
8	STELO STEM TIGE SPINDEL	ASTM A182 F304 A479 S30400 ≥ Ø 1½" ASTM A182 F316 A479 S31600	16	BULLONE BOLT BOULON GEWINDEBOLZEN	VALVE IN CARBON STEEL AND STAINLESS STEEL Ø1½"-4" UNI 3740-8.8 ZINCATO - GALVANIZED ZINGUE - VERZINKT VALVE IN STAINLESS STEEL Ø¼"-1¼" UNI 3723/8-A2/70

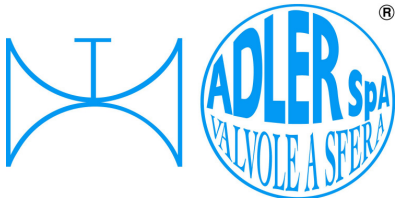
* RICAMBI CONSIGLIATI - RECOMMENDED SPARE PARTS - PIECES DE RECHANGE CONSEILLEES - ERSATZTEIL EMPFEHLUNG

DIMENSIONI - DIMENSION - DIMENSIONS - ABMESSUNGEN

Ø	1/4"	3/8"	1/2"	3/4"	1"	1 1/4"	1 1/2"	2"	2 1/2"	3"	4"	5"	6"	8"
AxB	8x5	8x5	10x6	10x6	12x8	12x8	16x10	16x10	22x14	22x14	30x18			
C	6	6	7	7	10	10	15	15	17	17	17			
D	34,6	34,6	43,1	49,2	60,8	67,9	84	101,8	123	143	176			
E	10	10	15	19	25	30	38	51	64	76	101			
F	M5	M5	M5	M5	M5	M5	M6	M6	M8	M8	M8			
ISO	F03	F03	F03	F03	F03	F03	F05	F05	F07	F07	F07			
G	25	25	25	25	25	25	35	35	55	55	55			
H	46	46	66	68	85	91	106	116	140	148	174			
L=N	33	33	36	36	36	36	51	51	65	65	70			
M	120	120	145	145	185	185	280	280	370	370	470			
P	22,2	22,2	32,5	35	41	45,5	53	60,5	77,5	86	99,5			
R	7	7	8	8	17	17	20	20	23	23	26			
S	50	60	75	80	90	110	120	140	185	205	240			
T	36	36	36	36	36	36	50	50	70	70	70			
U	12	22	26	32	38	47	54	66	82	95,5	122			
Z	15,1	20,1	24,5	25,7	26,5	32,7	33,2	34,75	50,6	53,4	60			
Bolts M	5x40	5x40	6x55	6x55	8x70	8x80	10x90	10x110	12x120	14x140	14x170			
PN	100	100	64	64	40	40	40	40	25	25	20			
Kg	0,3	0,35	0,75	0,85	1,35	1,75	3,3	4,9	11	15	23,5			

- DATI E CARATTERISTICHE SOGGETTI A VARIAZIONI SENZA PREAVVISO
- SPECIFICATIONS SUBJECT TO MODIFICATION WITHOUT PRIOR NOTICE
- TOUS DROITS DE MODIFICATION RESERVES
- KONSTRUKTIONSÄNDERUNGEN VORBEHALTEN





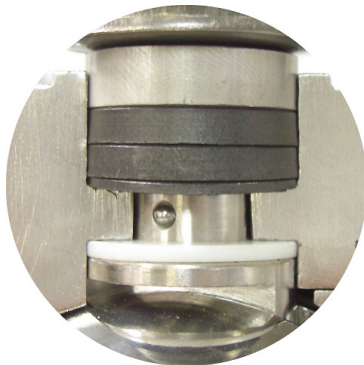
ISO 9001:2008 by L.R.
 PED DIR. 97/23/EC by L.R.
 ATEX DIR. 94/9/EC by B.V.
 FIRE SAFE EXECUTION by L.R.
 ISO 15848 by TÜV
 ANTISTATIC DEVICE by L.R.
 FIRE SAFE TESTED ISO 10497 by L.R.

TYPE
FP3
 PN 20 - 100

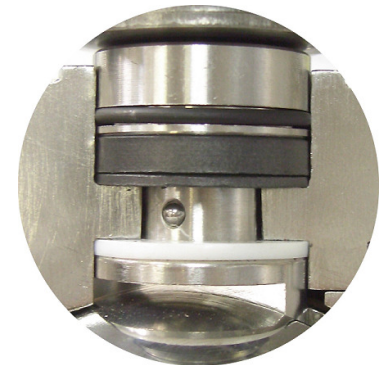
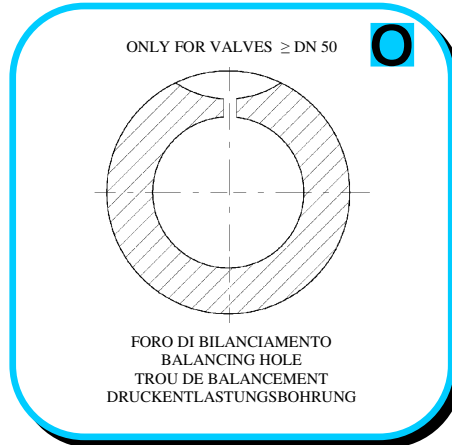
VALVOLA A SFERA "3 PEZZI" PASSAGGIO TOTALE
 BALL VALVES "3 PIECE" FULL BORE

ROBINETS A BOULE "3 PIECES" PASSAGE INTEGRAL
 KUGELHÄHNE "3 TEILIG" VOLLER DURCHGANG

▪ ESECUZIONI ▪ EXECUTIONS ▪ EXECUTIONS ▪ AUSFÜHRUNGEN



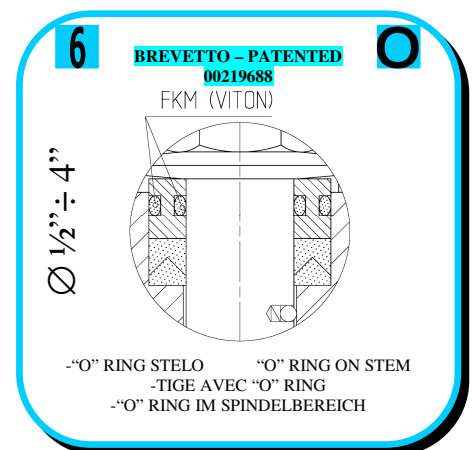
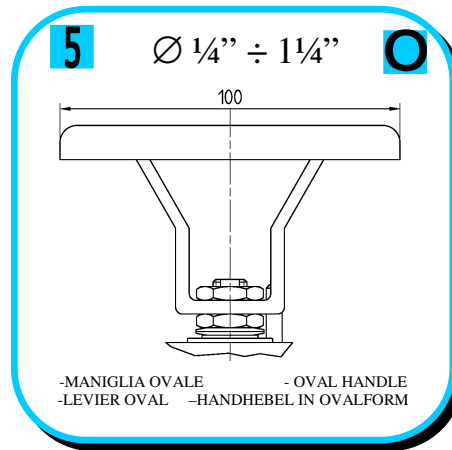
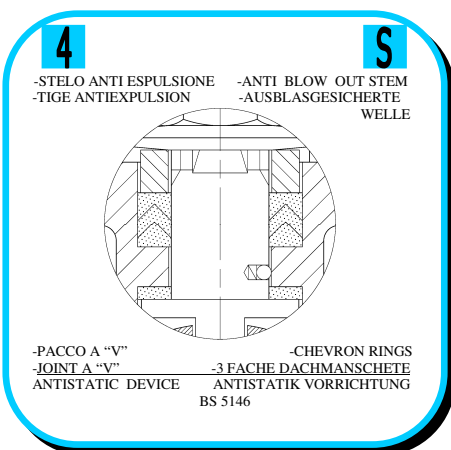
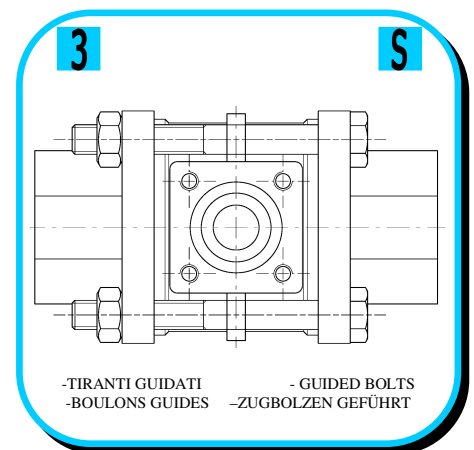
EXECUTION 4 - 12



EXECUTION 6 - 16

S STANDARD

O OPTIONAL





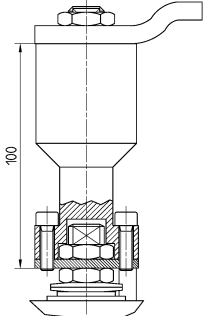
ISO 9001:2008 by L.R.
 PED DIR. 97/23/EC by L.R.
 ATEX DIR. 94/9/EC by B.V.
 FIRE SAFE EXECUTION by L.R.
 ISO 15848 by TÜV
 ANTISTATIC DEVICE by L.R.
 FIRE SAFE TESTED ISO 10497 by L.R.

TYPE
FP3
 PN 20 - 100

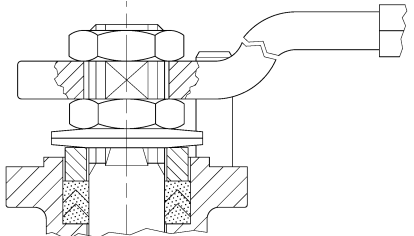
VALVOLA A SFERA "3 PEZZI" PASSAGGIO TOTALE
 BALL VALVES "3 PIECE" FULL BORE

ROBINETS A BOULE "3 PIECES" PASSAGE INTEGRAL
 KUGELHÄHNE "3 TEILIG" VOLLER DURCHGANG

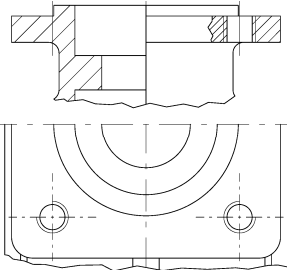
▪ ESECUZIONI ▪ EXECUTIONS ▪ EXECUTIONS ▪ BESCHREIBUNG

7  **O**

-PROLUNGA STELO -STEM EXTENSION
 -TIGE PROLONGEE -SPINDELVERLÄNGERUNG

8  **O**

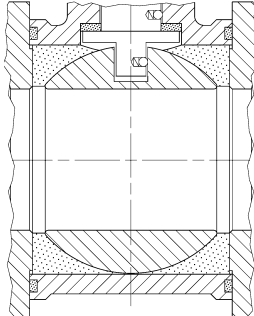
-PARTICOLARI INOX
 -STAINLESS STEEL DETAILS
 -ACCESSOIRES EN INOX
 -EDELSTAHLTEILE

9  **S**

-ATTACCO "ISO" -"ISO" FASTENING
 -SYSTEM "ISO" -ANSCHLUSS "ISO"

THREAD GAUGES

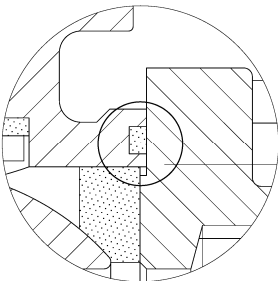


11  **O**

-TENUTA INTEGRALE -POCKETLESS SEATS
 -TENUUE INTEGRALE -TOTRAUMARM

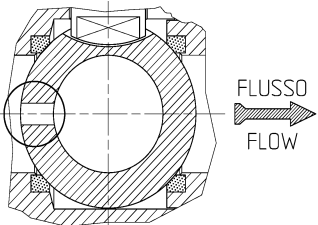
12 **FIRE SAFE**
ISO 10497 "ISO-FT"
(BS 6755 / API 607) **O**



13  **S**

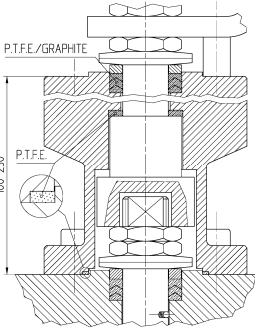
-ANELLO CONTENUTO -ANNEAU CONTENU
 -CONTAINED SEAL -DICHTRING GEKAMMERT

14 **VEDERE / SEE ANSI B 16.34** **O**



FLUSSO
 FLOW

-FORO DI SCARICO NELLA SFERA
 -OVERPRESSURE HOLE INTO BALL
 -TROU DECOMPRESSION DANS LA BOULE
 -ENTLASTUNGSBOHRUNG IN DER KUGEL
VALVOLA MONO DIREZIONALE
MONO-DIRECTIONAL VALVE

15  **O**

P.T.F.E./GRAPHITE
 P.T.F.E.

100-250

-SERVIZIO CRIOGENICO - CRYOGENIC SERVICE
 -SERVICE CRYOGÉNIQUE
 -TIEFTEMPERATUR SERVICE

16  **O**

-FIRE SAFE ISO FT + "O" RING STELO
 -FIRE SAFE ISO FT + "O" RING ON STEM
 -SECURITE FEU ISO FT + TIGE AVEC "O" RING
 -FEUERSICHERE AUSFÜHRUNG ISO FT +
 "O" RING IM SPINDELBEREICH

DESIGN CHECK



AQUILA - AEGLE - AIGLE
ADLER

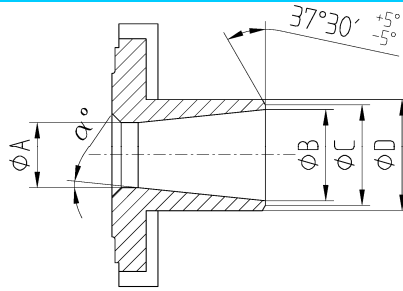




**DIMENSIONI LATERALI
ENDS DIMENSION
DIMENSIONS LATERAL
ABMESSUNGEN GEHÄUSEFLANSCH**

**TABLE
15-16-17**

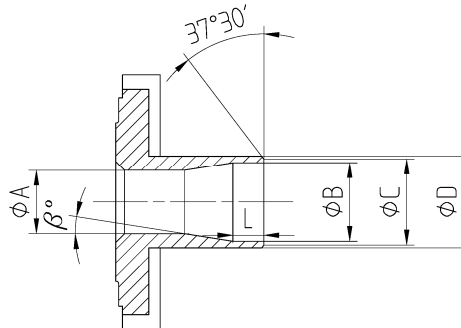
**BUTT WELDING
UNI EN 12627**
(Standard ADLER – EX DIN 3239)



**TABLE
15**

ϕ	1/4"	3/8"	1/2"	3/4"	1"	1 1/4"	1 1/2"	2"	2 1/2"	3"	4"
ϕA	10	10	15	20	25	30	40	50	65	80	100
ϕB	10	13	17	22	28	36.2	43	54	70	82	106
ϕC	12	15	19	24	30	38.2	45	56	72	84	108
ϕD	14	18	22	28	34	42.2	49	61	77	90	115
α°	0	5°	3°	4°	4°	2°	5°	4°	4°	5°	3°

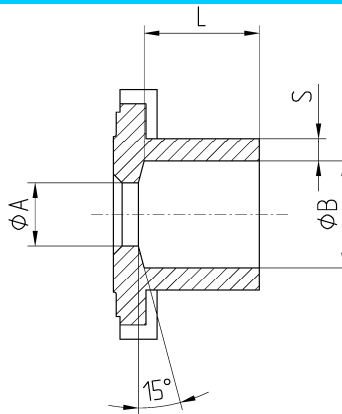
**BUTT WELDING
ANSI B 16.25**
(OPTIONAL)



**TABLE
16**

ϕ	1/4"	3/8"	1/2"	3/4"	1"	1 1/4"	1 1/2"	2"	2 1/2"	3"	4"
ϕA	10	10	15	19	25	30	38	51	64	76	101
ϕB	10	12,5	15,8	21	26,7	35,1	40,9	52,5	62,7	77,9	102,3
ϕC	11,6	14,1	17,4	22,6	28,3	36,7	42,5	54,5	64,7	79,9	104,3
ϕD	14	17,5	22	27,5	34,5	43,5	50	62	75	91,3	117,5
L		3,5	4,2	4,3	5,1	5,5	5,6	5,9	7,8	8,3	9,1
α°		7°	5°								
β°		5°	5°	4°	3°	7°	4°	2°	2°	2°	2°

**SOCKET WELDING
ADLER STANDARD**



**TABLE
17**

ϕ	1/4"	3/8"	1/2"	3/4"	1"	1 1/4"	1 1/2"	2"	2 1/2"	3"	4"
ϕA	10	10	15	19	25	30	38	51	64	76	101
ϕB	13,8	17,7	21,8	27,4	34,2	42,8	48,9	61	76,6	89,6	115,5
L	10	16,5	21	21	21	26	26,6	27,3	42,5	46	51
S	2,1	2,15	2,1	2,3	1,8	2,1	2,55	2,5	2,7	2,95	3,4



ADLER SpA – VALVOLE A SFERA
20010 S. STEFANO TICINO (MI) ITALY V.le BORLETTI, 14 Tel. +39/02974842.11 FAX +39/0297271698
E-mail: adler@adlerspa.com <http://www.adlerspa.com>